



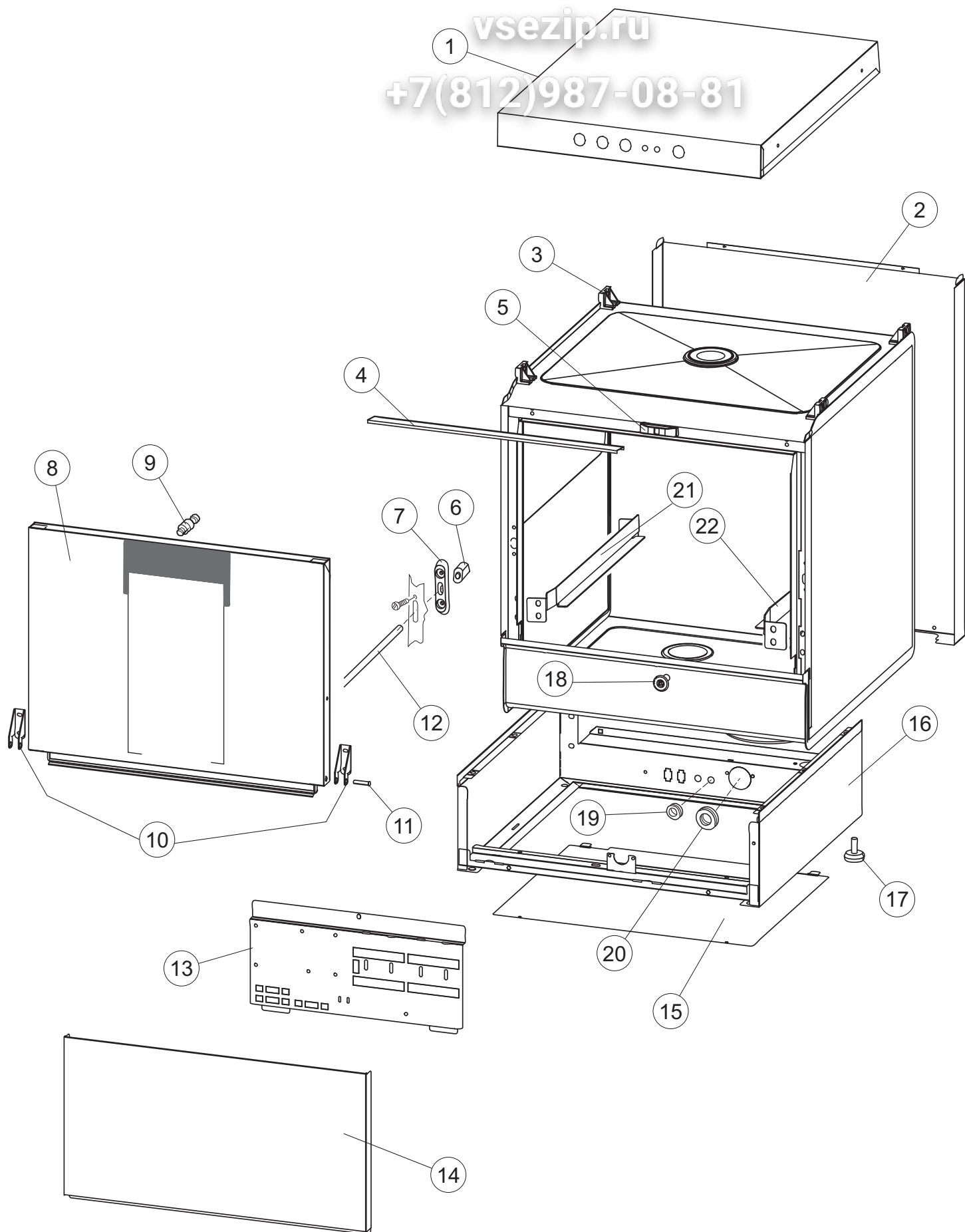
**SPARE PARTS CATALOGUE
ERSATZTEILKATALOG
CATALOGUE PIECES DETACHEES
CATALOGO PARTI RICAMBIO
CATALOGO DE PIEZAS DE RECAMBIO
CATALOGO PEÇAS DE REPOSIÇÃO**

AF 501

24-01-2014

vsezip.ru

+7(812)987-08-81



Listino componenti per pagina 1

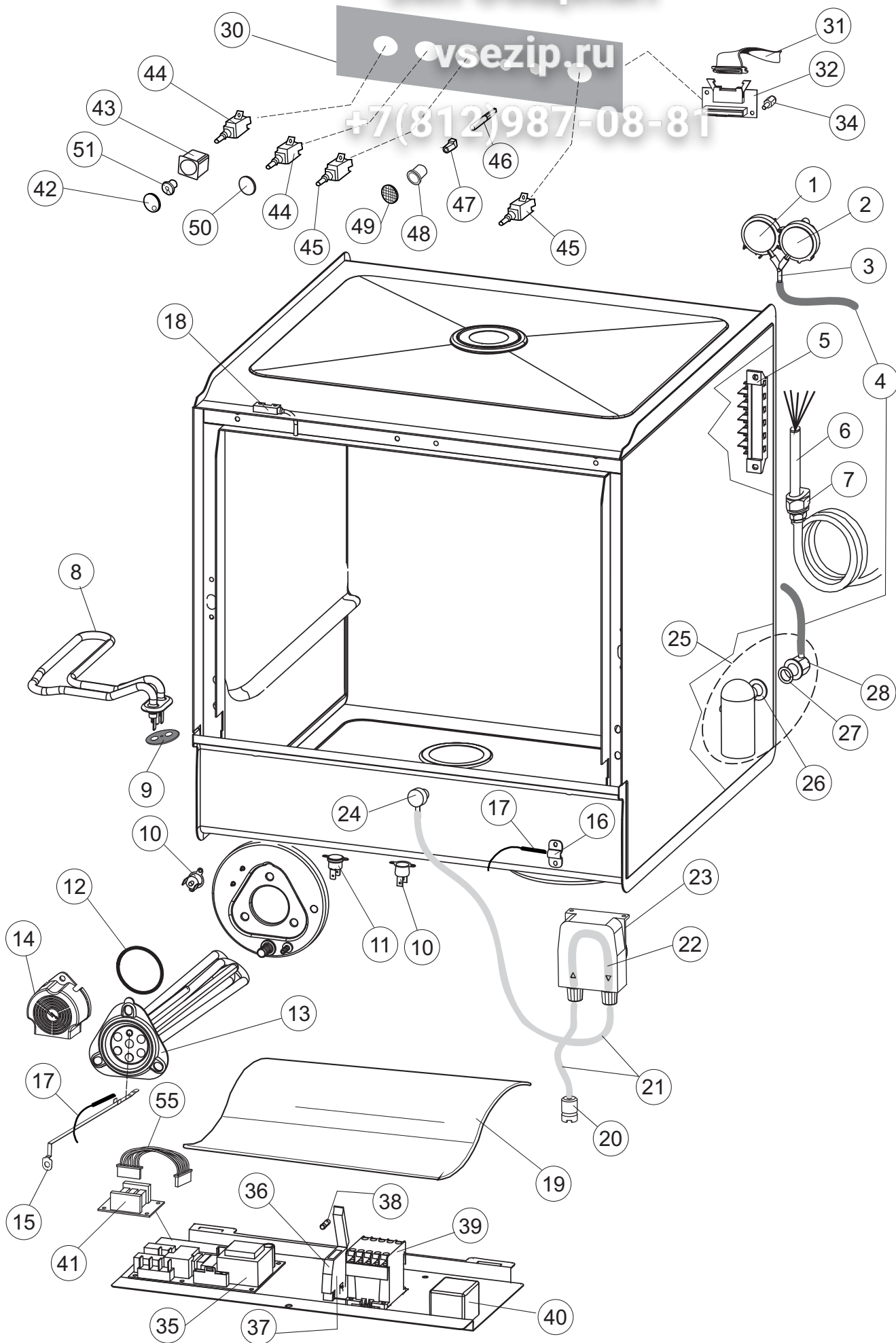
Зип Общепит

vsezip.ru

7(812)987-08-81

1	004246	CAPPELLO TERZISMO MEC500 COVER GEHAEUSEDECKEL DESSUS CAPERUZA	
2	022159	PANNELLO POSTERIORE REAR PANEL FOR GLASSWASHER HINTERPANEEL PANNEAU ARRIER POUR PANEL TRASERO	
3	035113	STAFFA PL.FISSA FIANCHI-CAPPELLO LA500 FIXED BRACKET BEFESTIGT BÜGEL ÉTRIER FIXE	
4	437081	GUARNIZIONE PORTA - 50/503 GASKET, DOOR - 50/503 DICHTUNG, TÜR - 50/503 JOINT PORTE - 50/503 JUNTA PUERTA - 50/503	
5	994012	GRUPPO SERRATURA EB/F 22/44 LOCK EB/F 22/44 SCHLOSS EB/F 22/44 ENS.SERRURE EB/F 22/44 GRUPO CERRADURA EB/F 22/44	
6	417041	DADO BATTUTA PORTA NUT, DOOR BUFFER SCHRAUBENMUTTER, TÜRANSCHLAG ECROU FEUILLURE PORTE TUERCA TOPE PUERTA	
7	307003	BATTUTA DADO ASTA NUT-LEDGE, FOR ROD ANSCHLAG, SCHRAUBENMUTTER FÜR STAB FEUILLURE ECROU BARRE TOPE TUERCA VARA	
8	029741	PORTA AF500 CPL. DOOR TUER PORTE PUERTA	
9	325066	PIOLO SERRATURA BETA 246/250 LOCK PIN BETA 246/250 PFLOCK, SCHLOSS BETA 246/250 CHEVILLE SERRURE BETA 246/250 BARROTE CERRADURA BETA 246/250	
10	311019	CERNIERA PORTA 45/46/50.. HINGE, DOOR 45/46/50.. SCHARNIER, TÜR 45/46/50.. CHARNIERE PORTE 45/46/50.. BISAGRA PUERTA 45/46/50. .	
11	325036	PERNO CERNIERA PORTA 50 PIN, DOOR HINGE 50 ZAPFEN, TÜRSCHARNIER 50 PIVOT CHARNIERE PORTE 50 PERNO BISAGRA PUERTA 50	
12	304021	ASTA GUIDA PORTA 50/500/453/463/503 ROD, DOOR GUIDE 50/500/453/463/503 STANGE, TÜRSCHIENE 50/500/453/463/503 BARRE GUIDE PORTE 50/500/453/463/503 VARA GUIA PUERTA 50/500/453/463/503	
13	035112	STAFFA COMP.ELETTRICI LA500 GET50 0 BRACKET BEF.WINKEL EQUERRE SOPORTE COMP.ELECTRICOS	
14	012338	FRONTALE FRONT PANEL FRONTPANEEL PANNEAU AVANT PANEL FRONTAL	
15	030195	PROTEZIONE INF. ZOCCOLO LA500 UNDERPROTECTION FOR BASIS UNTERSCHUETZ DES FUESSSES PROTECTION INFERIEURE PROTECCION INF. BASE	

16	040123	ZOCOLO ASSEMBLATO LA500 ASSEMBLED SOCLE MONTIERT SOCKEL ENSAMBLE SOCLE	
17	461019	PIEDINO REGOLABILE D30 M8 FOOT, ADJUST. D30 M8 VERSTELLFUSS D30 M8 PIED REGLABLE D30 M8 PATA REGULABLE D30 M8	
18	480057	TAPPO GOMMA D.14 CAP, RUBBER D.14 GUMMISTÖPSEL D.14 BOUCHON CAOUTCHOUC D.14 TAPON GOMA D. 14	
19	459006	PASSACAVO Di9/De16 22 FAIRLEAD, Di9/De16 22 KABELDURCHGANG, Di9/De16 22 PASSE-CABLE Di9/De16 22 PASA-CABLE Di9/De16 22	
20	459004	PASSATUBO GOMMA DI.34 PIPEHOLDER, RUBBER DI.34 ROHRDURCHGANG, GUMMI DI.34 SUPPORT-TUYAU CAOUTCHOUC DI.34 PASA-TUBO GOMA DE. 34	
21	015064	GUIDA CESTO SX. RACK SLIDE SX. KORBBAHN SX. GUIDE PANIER SX. GUIA CESTA (IZQDA.)503-50 ALTA	
22	015063	GUIDA CESTO DX. RACK SLIDE DX. KORBBAHN DX. GUIDE PANIER DX. GUIA CESTA (DCHA.)503-50 ALTA	



Listino componenti per pagina 2

Зип Общепит

vsezip.ru

+7(812)987-08-81

1	224004	PRESSOSTATO - 35/17 PRESSURE SWITCH - 35/17 DRUCKSCHALTER - 35/17 PRESSOSTAT - 35/17 PRESOSTATO - 35/17	
2	224029	PRESSOSTATO - 75/55 SUREZ MAIN PRESSURE SWITCH 75-55 ARBEITSDRUCKWAECHTER 75-55 PRESSOSTAT DE TRAVAIL 75-55 PRESOSTATO - 75/55	
3	035031	RACCORDO A "Y" PRESSOSTATO 760 UNION, Y-TYPE, PRESSURE SWITCH 760 Y-VERBINDUNGSST., DRUCKSCHALTER 760 RACCORD A "Y" PRESSOSTAT 760 EMPALME "Y" PRESOSTATO 760	
4	143013	TUBO PVC VERDE 4X7 PIPE, PVC GREEN 4X7 SCHLAUCH PVC GRUEN 4X7 TUYAU PVC VERT 4X7 TUBO PVC VERDE 4X7	
5	220011	* MORSETTIERA 5.POLI + TERRA FV.122 * TERMINAL BOARD, 5-POLES + EARTH FV.122 * KLEMMENBRETT, 5-POLIG + ERDUNG FV.122 * PLAQUE A BORNE 5POLES + TERRE FV.122 * BORNERO 5. POLOS + TIERRA FV. 122	
6	H.374339-2	CAVO MACCHINA H07RN-F 5X2.5X3.0MT CABLE H07RN-F 5X2.5X3.0MT MASCHINE KABERL H07RN-F 5X2.5X3.0MT CABLE MACHINE H07RN-F 5X2.5X3.0MT * CABLE MAQUINA H07RN-F 5X2.5X3.0MT	
7	459005	FISSACAVO STEAB art.5024 CABLE CLAMPS, STEAB art.5024 KABELKLIPPS, STEAB Art.5024 FIXE-CABLE STEAB art.5024 SUJETA-CABLE STEAB art. 5024	
8	230118	RESISTENZA V.2100W-230V.LA50 LAVAB. HEATING ELEMENT 2100W-230V LA50 ELEKTRISCHER WIDERSTAND 2100W-230V LA50 RESISTANCE 2100W-230V LA50 RESISTENCIA.V.2100W-230V.LA50 LAVAB.	
9	437086	GUARNIZIONE RESISTENZA VASCA GASKET, TANK RESISTANCE DICHTUNG, TANKWIDERSTAND JOINT RESISTANCE CUVE JUNTA RESISTENCIA CUBETA	
10	236047	TERM.CONTATTO /S.95ø+/-3ø THERM.,CONT. /S.95ø+/-3ø SICHERHEITSTHERMOSTAT THERM.CONTACT /S.95ø+/-3ø TERM.CONTACTO /S.95°+/-3° SIC.	
11	236052	TERM.CONTATTO BOILER/L.90ø+/-3ø(2611576) THERM.,CONT. BOILER/L.90ø+/-3ø(2611576) THERM.,KONT. BOILER/L.90ø+/-3ø(2611576) THERM.CONTACT CHAUDIERE/L.90ø+/-3ø(2611576) TERM.CONTACTO CALENT./L.90°+/-3°(2611576)	
12	456002	OR 48x6,2 O-ring 48x6,2 O-Ring 48x6,2 OR 48x6,2 OR 48x6,2	
13	230111	RESIST.B.4900W/230-400V RESIST.B.4900W/230-400V WIDERS.B.4900W/230-400V RESIST.CHAUD.4900W/230-400V RESIST. B. 4900W/230-400V	
14	69870	PROTEZIONE RESISTENZA BOILER BOILER HEATING ELEMENT PROTECTION HEIZUNGSSCHUETZ DES WARMWASSERBEREITERS PROTECTION RESISTANCE BOILER PROTECCION RESISTENCIA CALENTADOR	
15	69871	PORTASONDA PROBE HOLDER SONDENHALTER PORTE-SONDE PORTASONDA	

16	028105	PIASTRINA FERMA SONDA FIXING PLATE PLATCHEN PLAQUETTE FISSAGE PLANCHITA PARADA SONDA	
17	231016	SONDA TEMPERATURA TEMP. PROBE TEMPERATURSONDE SONDE SONDA TEMPERATURA (AMPOLLA ACERO)	
18	80871	MICRO MAGNETICO MAGNETIC DOOR SWITCH TUERKONTAKTSCHALTER CONTACTE MAGNETIQUE CONTACTO MAGNETICO	
19	214114	PROTEZIONE TRASPARENTE PER IMPIANTO ELETTRICO PER TRANSPARENT PROTECTION FOR ELECTRIC INSTALLATION F DURCHSICHTIGER SCHUETZ FUER ELEKTRISCHE ANLAGE DE PROTECTION TRANSPARENTE POUR INSTALLA- TION ELECTR PROTECC. EL.TRASP.410X245 SP0.13	
20	121993	GRUPPO FILTRO DOSATORE FILTER GROUP FILTERANORDNUNG ENSEMBLE DE FILTRE ASAMBLEA DEL FILTRO	
21	143194	TUBO 4x6 CRISTAL TRASPARENTE PIPE 4x6 CRISTAL, TRANSP. SCHLAUCH 4X6 CRISTAL, DURCHS. TUYAU 4x6 CRISTAL TRANSPARENT TUBO 4x6 CRISTAL TRASPARENTE	
22	143267	TUBETTO 6X10 TUBE 6X10 FLASCHEN 6X10 TUBE 6X10 TUBITO SANTOPRENE 6X10 EMPALMES+VIROLAS	
23	209038	DOSAT.PERIST.DETERG.REG.(NBR-3)BLU ADJUST.PERISTALTIC DETERGENT DISPENSER PERISTALTIK DOSIERUNG REINIGUNGSMITTEL POMPE DOSEUR PERISTALTIQUE DETERGENT REGLABLE DOSIFIC. PERIST.DETERGENTE REG.	AF501DD
24	468151	RACCORDO ENTRATA SAPONE CPL NM * SALDATO UNION, EXTRA DET. CPL NM * WELDED TANKEINLAUF CPL NM* RACCORD ENTREE SAVON CPL NM * SOUDE EMPALME ENTRADA JABON CPL NM * SOLDADO	
25	984007	TRAPPOLA ARIA COMPLETA AIR TRAP, ASSY WINDKESSEL - KOMPLETT PRISE D'AIR - COMPLETE GRUPO CAMPANA PRESOSTATO	
26	437019	GUARNIZIONE CAMP. PRESS. V.M. GASKET, CAMP. PRESS. V.M. DICHTUNG, GLOCKE DRUCKSCH. V.M. JOINT BOITE PRESSOSTAT V.M. JUNTA CAMP. PRES. TORNILLO M.	
27	456020	OR 3050 R495 O-ring 3050 R495 O-Ring 3050 R495 OR 3050 R495 OR 3050 R495	
28	468029	RACCORDO CAMPANA PRESSOSTATO UNION, PRESSURE SWITCH BELL VERBINDUNGSSTK. TANKEINLAUF RACCORD BOITE PRESSOSTAT EMPALME CAMPANA PRESOSTATO	
30	026430	POLIESTERE AF500 APACH POLYESTERE CONTROL PANEL MASKE POLYESTERE MEMBRANE TABL.CDE POLYESTER POLIESTER	
31	211013	CAVO FLAT 10 VIE X PULS.SOFT TOUCH GET 5 FLAT WIRE FLACHKABEL CABLE CABLE FLAT GET50 LA50	

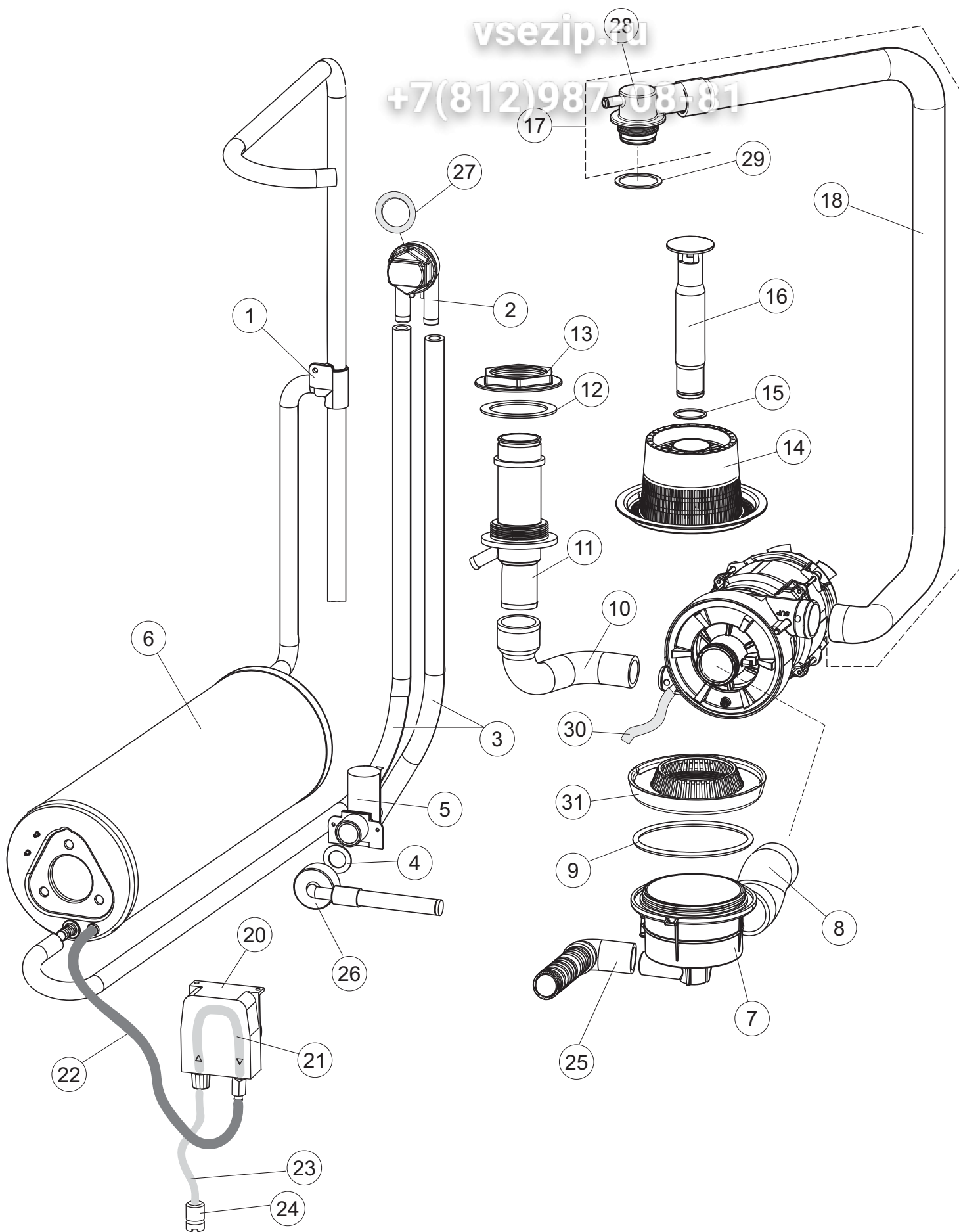
32	215037	INTERFACCIA MECCANICA MECHANICAL INTERFACE	
34	419040	DISTANZIALI SCHEDA INTERFACE BOARD DISTANCE KEEPERS ABSTANDSROHR ENTRETOISE X CARTE ELECTRONIQUE DISTANCIADOR M3	
35	215034-3	SCHEDA ELETTRONICA MAIN BOARD KARTE CARTE ELECTRONIQUE TARJETA GET50	
36	210010	PORTAFUSIBILE UL FUSE-HODER SICHERUNGSHALTER PORTE-FUSIBLE PORTAFUSIBILE UL	
37	210011	PIASTRINA TERMINALE SFR/PT CABUR PLATE PLAETTCHEN PLAQUETTE PLACA TERMINAL SFR/PT CABUR	
38	228004	FUSIBILE 5X20F 4A FAST FUSE, 5X20 4A FAST SICHERUNG, 5X20 4A FAST FUSIBLE 5X20 4A FAST FUSIBLE 5X20 4A FAST	
39	229042	CONTATTORE 230V 50-60HZ CONTACTOR SCHALTSCHÜTZ CONTACTEUR	
40	229040	RELÈ 62.83.8.230.0300 RELAY 62.83.8.230.0300 RELAIS 62.83.8.230.0300 RELAIS 62.83.8.230.0300 RELÈ 62.83.8.230.0300	
41	215036	SCHEDA ELETTRONICA MAIN BOARD KARTE CARTE ELECTRONIQUE TARJETA CHORROS50 MICRO 644	AF501DD
42	227065	TASTO GOFRATO GRIGIO CON SPIA SER.D25 KEY, EMBOSS. GREY WITH PIL.LIGHT SER.D25 TASTE, GAUFR. GRAU MIT KONTROLL-LAMPE REIHE D25 TOUCHE REPOUSSE GRIS AVEC VOYANT SER.D25 TECLA GROFRADA GRIS CON TESTIGO SER. D25	
43	226126	CORPO PULSANTE GRIGIO RAL7015(D25)) SWITCHCASE DRUCKTASTENGEHAEUSE CORPS DE BOUTON POUSSOIR CUERPO PULS.	
44	208010	DEVIATORE DOPPIO - 35/40/50 SWITCH, DOUBLE - 35/40/50 ABLENKER, DOPPELT - 35/40/50 COMMUTATEUR DOUBLE - 35/40/50 DESVIADOR DOBLE - 35/40/50	
45	226071	PULSANTE DOPPIO CONTATTO 35/40/50 PB W/DOUBLE CONTACT 35/40/50 DRUCKT. MIT DOPPELKONTAKT 35/40/50 BP DUBLE CONTACT 35/40/50 PULSADOR DOBLE CONTACTO 35/40/50	
46	216033	LAMPADA LED SPIA COLORE BIANCO(12V DC) LAMP NEW PILOT-LAMP FOR DISHWASHERS LAMPE TEMOIN - NOUVELLE POUR LAVE-VAISSELLES LAMPARA TESTIGO	
47	299035	SUPPORTO LAMPADA 35/40/50 SUPPORT, LAMP 35/40/50 LAMPENFASSUNG 35/40/50 SUPPORT LAMPE 35/40/50 SOPORTE LAMPARA 35/40/50	

48	226110	CORPO PULSANTE GOFFRATO GRIGIO D16 SWITCH HOLDER EMBOSSED GREY D16 SCHALTER GAUFRIERT GRAU D16 CORPS BP REPOUSSE GRIS D16 CUERPO PULSADOR GROFRADO GRIS D16	
49	207018	GEMMA PIANA ARANCIONE SERIE D16 INDICATOR LAMP, PLANE ORANGE, SERIES D16 ANZEIGER, EBEN, REIHE D16 VOYANT PLAT ORANGE SERIE D16 CAPERUZA PLANA NARANJA SERIE D16	
50	227064	TASTO GOFFRATO GRIGIO SERIE D25 KEY, EMBOSS. GREY SERIES D25 TASTE, GAUFR. GRAU REIHE D25 TOUCHE REPOUSSE GRIS SERIE D25 TECLA GROFRADA GRIS SERIE D25	
51	409003	CAMMA BICOLORE NERO.OFF/VERDE ON D25 TWO-COLOUR CAM, BLACK OFF/GREEN ON D25 ZWEIFARB. NOCKEN, SCHWARZ AUS/GRÜN EIN D25 CAME BICOLORE NOIR OFF/VERTE ON D25 EXCENTR. BICOLOR NEGRO. OFF/VERDE ON D25	
55	203424	CABLAGGIO MODULO ESPANSIONE OPZ.LA500	

3 Zip Общепит

vsezip.ru

+7(812)987-08-81

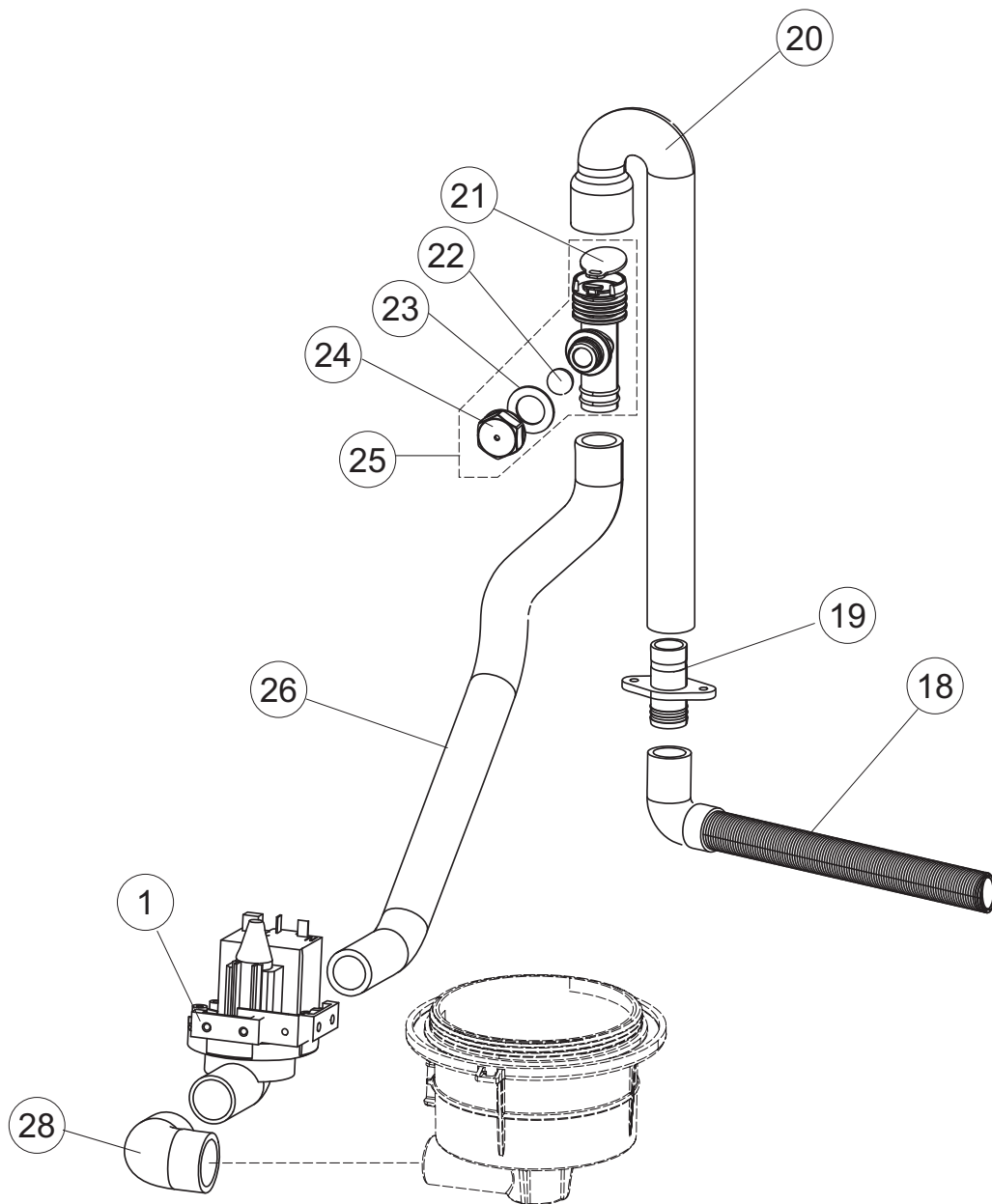


Listino componenti per pagina 3

Зип Общепит

1	143263	TUBO CONDOTTA SCAMBIATRICE->B.SALE 35 PIPE SWITCH VALVE > SALT CONTAINER LEITUNG VENTILEINHEIT > WASSERENTKAEKKE TUYAU CONDUITE	
2	144030	DISPOSITIVO DVGW LA500 AIR GAP TANK - NOT ASSY AIR GAP BEHAELTER - NICHT KOMPLETT RESERVOIR AIRGAP - NON COMPLET DISPOSIT. A/R.	
3	143004	TUBO PRESS.TP 10X17 (CASER/15NL C4N) PIPE, PRESSURE SWITCH TP 10X17 (CASER/15NL C4N) ROHR, DRUCKSCHALTER TP 10X17 (CASER/15NL C4N) TUYAU PRESS.TP 10X17 (CASER/15NL C4N) TUBO PRES. TP 10X17 (CASER/15NL C4N)	
4	437041	GUARNIZIONE 3/4 GAS CARICO GASKET 3/4 GAS LOAD DICHTUNG 3/4 GASVERSORG. JOINT 3/4 GAZ VID. JUNTA 3/4 GAS CARGA	
5	240011	VALVOLA DI CARICO 1VIA LOADING S.VALVE 1-WAY ZUFLUSSVENTIL 1-WEG SOUPAPE DE CHARG. 1VOIE VALVULA DE CARGA 1VIA	
6	104060	BOILER BOILER BOILER SURCHAUFFEUR LA50 CALENTADOR LA50	
7	136030	CORPO ASPIR./SCARICO LA500 ASPIRATION/DRAIN BODY EINLASSUNG/ABLASSUNG GEHÄUSE CORP ASPIRATION VIDANGE CUERPO ASPIR./DESCARGA LA500	
8	127082	MANICOTTO ASPIRAZIONE MANCHON REFOULEMENT RINÇAGE NACHSPUEL-FOERDERUNGSBÖGEN COUDE APIRATION MANGUITO ASPIRACION	
9	456076	OR.D.I.135.9X5.33 ART.53125 OR.D.I.135.9X5.33 ART.53125 TORISCHE DICHTUNG D.I.135.9X5.33 JOINT TORIQUE D.I.135.9X5.33 OR.D.I.135.9X5.33 ART.53125	
10	127085	MANICOTTO MANDATA INF.LA50 PUMP INTAKE COUPLING LA50 SAUGMUFFE PUMPE LA50 MANCHON ASPIRATION POMPE LA50 MANGUITO IMPULSION INF.LA50	
11	115143	CONDOTTO CENTRALE INF.LA50 TAPPO DOS. UPPER CENTRAL PIPE LA50 ZENTRALLEITUNG OBEN LA50 CONDUIT CENTRAL INFERIEUR LA50 CONDUCTO CENTRAL INF.LA50 TAPON DOSIF.	
12	437102	GUARNIZIONE CONDOTTO INFER.LA50 GASKET DICHTUNG JOINT JUNTA CONDUCTO INFER.LA50	
13	429073	GHIERA FISSA CONDOTTO INF.LA50 GEWINDERING MUTTER VIROLE VIROLA FIJA CONDUCTO INF.LA50	
14	121120	FILTRO BASE COMPLETO LA50 FILTER COMPLETE SIEB FILTRE COMPLETE FILTRO BASE COMPLETO LA50	
15	456081	O-RING O-RING O-RING O-RING OR 2.62X28.25(12627)VITON 80SH LA50	

16	142058	TROPPO PIENO LA50 OVERFLOW PIPE LA50 UEBERLAUFROHR LA50 BONDE DE SURVERSE LA50 REBOSE LA50	
17	115150	CONDOTTA LAVAGGIO LA500 CPL. EXTERIOR WASH PLASTIC PIPE WASCHLEITUNG AUSSEN PL. CONDUITE LAVAGE EXT.PL.CPL CONDUCTO LAV. EXT. PL. CPL	
18	127133	CONDOTTA LAVAGGIO PER LAVASTOVIGLIE SUPPLY PIPE WASH UPPER WASHLEITUNG OBEN CONDUITE LAVAGE SUP. CONDUCTO LAVADO SUPERIOR	
20	209037	DOSAT.PERIST.BRILLANTANTE+NR P/R NPG DOSING PUMP DOSIERUNG PERISTALTIK DOSAGE PERISTALTIQUE DOSIFIC.PERIST. ABRILLANTADOR REG.	
21	143266	TUBETTO SIL.5X10 MP2NERO+V.I(SEKO) TUBE 5X10 FLASCHEN 5X10 TUBE 5X10 TUBITO SILICONA 5X10 EMPALMES+VIROLAS	
22	143005	TUBO PRESS.TP 5x11 (CASER/15/NL C4N) PIPE, PRESSURE SWITCH TP 5x11 (CASER/15/NL C4N) SCHLAUCH TP 5X11 (CASER/15/NL C4N) TUYAU PRESS.TP 5x11 (CASER/15/NL C4N) TUBO PRES. TP 5x11 (CASER/15/NL C4N)	
23	H.775601	TUBO 4x6 CRISTAL BLUE PVC PIPE 4x6 CRISTAL BLUE PVC ROHR 4x6 CRISTAL BLAU PVC TUYAU 4x6 CRISTAL BLEU PVC TUBO 4x6 CRISTAL AZUL PVC	
24	121149	FILTRO PER POMPA DETERSIVO DETERGENT PUMP FILTER SIEB FUER SPUELMITTELPUMPE FILTRE POUR POMPE DETERGENT FILTRO	
25	143252	TUBO SCARICO LA50 DRAIN HOSE ABLAUFLEITUNG TUYAU VIDANGE TUBO DESCARGA LA50	
26	143170	TUBO CARICO 60.10.02.15 DVGW PIPE, LOAD 60.10.02.15 DVGW ZULAUF SCHLAUCH, WASSER 60.10.02.15 DVGW TUYAU CHARG. 60.10.02.15 DVGW TUBO CARGA 60. 10. 02. 15 DVGW	
27	437080	GUARNIZIONE RACCORDO LAV.SUP.E.40 GASKET, UNION, UPP.WASH.E.40 DICHTUNG, VERBINDUNGSST., OB.SPÜL.E.40 JOINT RACCORD LAV.SUP.E.40 JUNTA EMPALME LAV. SUP. E. 40	
28	115149	PIANTONE CENTRALE SUPERIORE UPPER CENTRAL BRACKET ZENTRALE SAULE PLANTON CENTRALE SUPÉRIEUR	
29	437113	GUARNIZIONE CORPO INFERIORE PER LAVABICCHIERI LOWER BODY GASKET FOR GLASSWASHERS DICHTUNG DES KOERPERS -UNTEN- FUER GLAES ERSPUELEI JOINT CORPS INFERIEUR LAVE-VERRES JUNTA CUERPO INFER.LA40-50	
30	H.165168	TUBO PVC 6X9 CRISTAL TRASP. RAUCLAIR PVC PIPE PVC SCHLAUCH TUYAU PVC * TUBO PVC 6X9 CRISTAL TRANSPARENTE	
31	429072	GHIERA CORPO ASPIR./SCARICO LA50 GEWINDERING ZWINGE VIROLE VIROLA CUERPO ASPIR./DESCARGA LA50	



Listino componenti per pagina 4

Зип Общепит

vsezip.ru

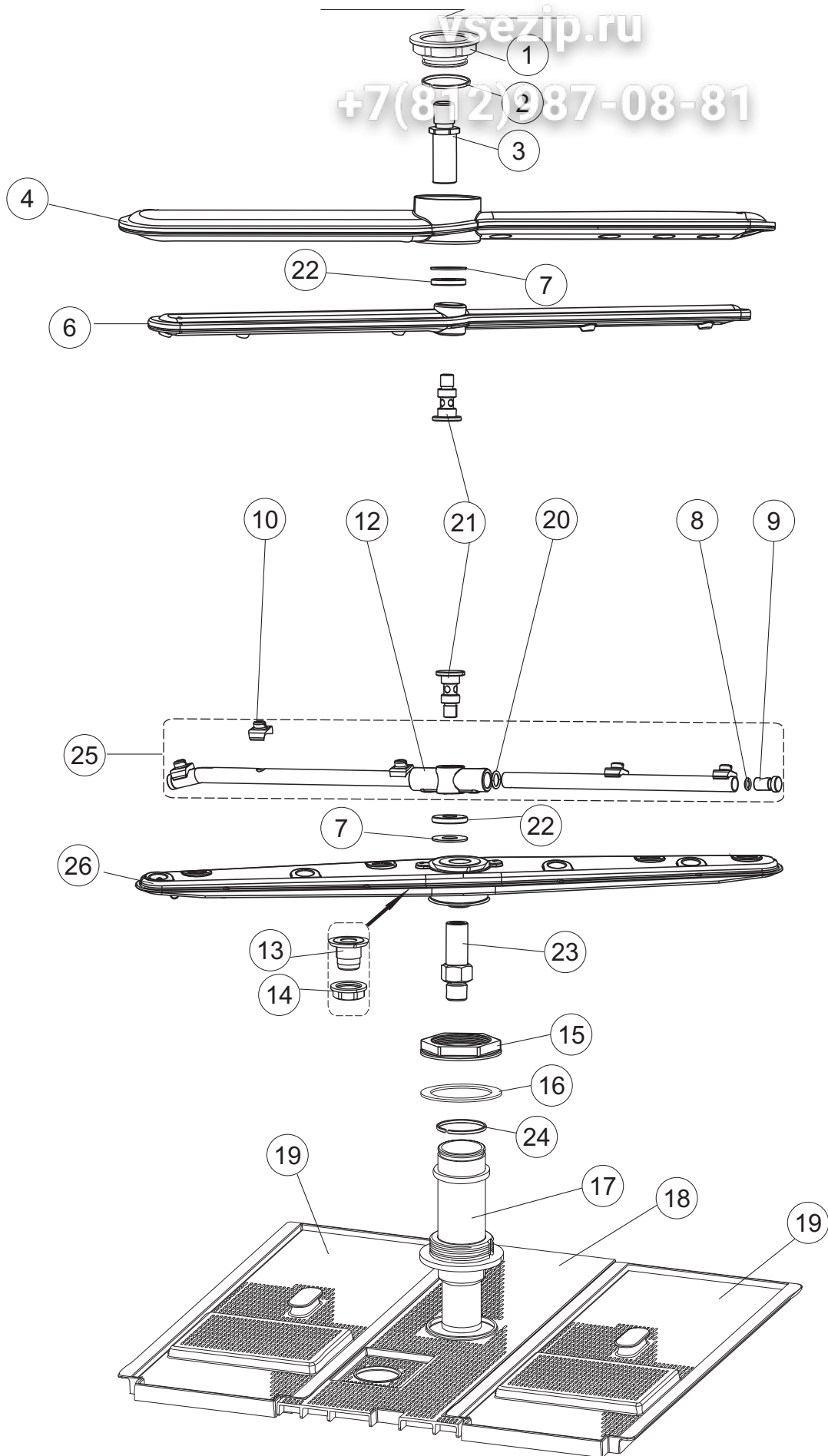
(912)987-08-81

1	130175	POMPA SCARICO 50HZ DRAIN PUMP 50HZ ABFLUSSPUMPE 50HZ. POMPE DE VIDANGE 50HZ. BOMBA DESCARGA 50HZ	Optional
18	143137	TUBO SCARICO D18 TERMINALE CURVO PIPE, DRAIN D18 BENT TERM. ABLASSROHR D18 GEBOG. ENDE TUYAU VIDANGE D18 TERMINAL COURB TUBO DESCARGA D18 TERMINAL CURVO	
19	468152	RACCORDO SCARICO CLEAN.3 UNION, DRAIN CLEAN.3 VERBINDUNGSST., ABLAUF CLEAN.3 RACCORD VIDANGE CLEAN.3 EMPALME DESCARGA CLEAN. 3	
20	127136	MANICOTTO SLEEVE MUFFE MANCHON MANGUITO	
21	499092	MEMBRANA VALVOLA SFIATO PS LA50 MEMBRANE BLENDE MEMBRANE VIDANGE LA50 MEMBRANA VALVULA ALIVIAD. PS LA50	
22	476008	SFEROA VALVOLA LA50. HOST BALL VALVE KUGELHAHN VANNE A BILLE ESFERA VALVULA.LA50.HOST.D=5/16"	
23	437083	GUARNIZIONE GOMMA D32D19.5S1.5 GASKET, RUBBER D32D19.5S1.5 DICHTUNG, GUMMI D32D19.5S1.5 JOINT CAOUTCHOUC D32D19.5S1.5 JUNTA GOMA D32D19. 5S1. 5	
24	468199	RACCORDO MASCHIO VALVOLA SF.E DVGW LA50 CONNECTOR ANSCHLUSSSTUECK LA50 RACCORD LA50 EMPALME MACHO VALVULA ALIVIAD. E DVGW LA50	
25	144992	GR.VALVOLA DI SFIATO X PS LA40 RELIEF VALVE GROUP LUFTLOCH-VENTIL DER ABFLUSSPUMPE SOUPAPE DE SOUPIRAL GR.VALVULA ALIVIAD. X PS LA40	
26	127135	MANICOTTO SLEEVE MUFFE MANCHON MANGUITO	
28	127134	MANICOTTO ASPIRAZIONE ASPIRATION SLEEVE ANSAUGEN MUFFE MANCHON POUR ASPIRER MANGUITO ASPIRACION LA40	

5 Зип-Общепит

vsezip.ru

+7(812)987-08-81



Listino componenti per pagina 5

Зип Общепит

vsezip.ru

77(812)987-08-81

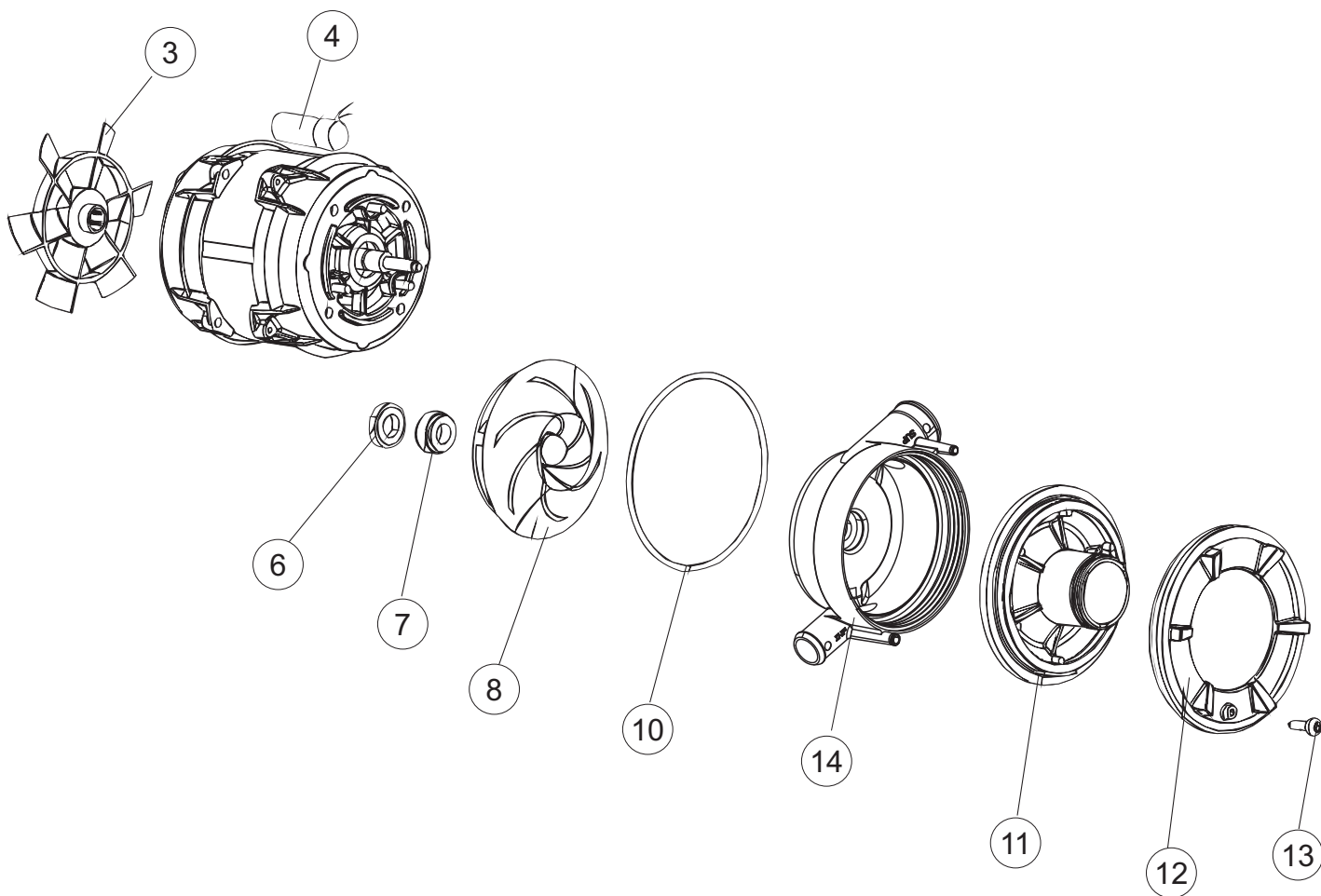
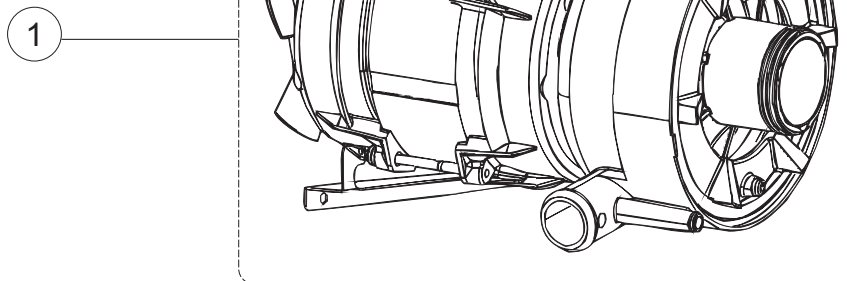
1	429079	GHIERA FISSA CONDOTTO INF.LA40 NUT RING BAGUE VIROLA FIJA CONDUCTO INF.LA40	
2	303040	ANELLO DI TENUTA(INFERIORE) LAVAGGIO RING TEILERPLATTE BAGUE ANILLO DE ESTANQ. LAVADO	
3	325097	PERNO LAVAGGIO WASHING PIVOT WASCHUNG ZAPFEN PIVOT DE LAVAGE PERNO LAVAD PARA CABL. COND. LA40 NM	
4	129085	PETTINE LAVAGGIO PLASTICA E50/LA50 PLASTIC WASH ARM SPRÜHARM LE BRAS DE LAVER SPRAY BRAZO	
6	129089	PETTINE RISCIAcq.PLASTICA E50/LA50 RINSE ARM NACHSPÜLARM BRAS DE RINÇAGE ENJUAGAR EL BRAZO	
7	80623	ANELLO IN TEFLON 22X9,5X1 RING 22X9,5X1 RING 22X9,5X1 RING 22X9,5X1 ANILLO DE TEFLON 22X9,5X1	
8	456060	OR 2025(CGR2025) O-ring 2025(CGR2025) O-Ring 2025(CGR2025) OR 2025(CGR2025) OR 2025(CGR2025)	
9	926132	TAPPO PL.X BRACCIO DI RISC.(DWT312) CAP, PLASTIC FOR WASH. ARM (DWT312) PFROPFEN, KUNST. FÜR NACHSPÜLARM (DWT312) BOUCHON PL.POUR BRAS DE RINC.(DWT312) TAPON PL. X BRAZO DE ENJUAGUE (DWT312)	
10	140036	SPRUZZO RISCIAcQUO D.2,5 X TUBO D12 RINSE JET DUESE GLICEUR ROCIADOR ENJUAGUE D. 2,5	
12	69632	CORPO PETTINE ARM BODY KOERPER DES NACHSPUELARMES CORPS BRAS CUERPO PEINE ENJUAGUE.	
13	417111	BUSSOLA PETTINE LAV.X5 BUSHING, WASH-ARM X5 BUCHSE, SPÜLKAMM X5 DOUILLE PEIGNE LAV.X5 CASQUILLO PEINE LAV. X5	
14	308031	GHIERA BUSSOLA LAVAGGIO X5 RING NUT, WASH.BUSH X5 GEWINDERING, SPÜL.BUCHSE X5 BAGUE DOUILLE LAVAGE X5 VIROLA CASQUILLO LAVADO X5	
15	429073	GHIERA FISSA CONDOTTO INF.LA50 GEWINDERING MUTTER VIROLE VIROLA FIJA CONDUCTO INF.LA50	
16	437102	GUARNIZIONE CONDOTTO INFER.LA50 GASKET DICHTUNG JOINT JUNTA CONDUCTO INFER.LA50	
17	115143	CONDOTTO CENTRALE INF.LA50 TAPPO DOS. UPPER CENTRAL PIPE LA50 ZENTRALLEITUNG OBEN LA50 CONDUIT CENTRAL INFERIEUR LA50 CONDUCTO CENTRAL INF.LA50 TAPON DOSIF.	

18	121153	FILTRO FILTRE LATERALE DE CUVE FILTRO CENTRAL CUBETA	Optional
19	121152	FILTRO FILTRE LATERALE DE CUVE FILTRO PLASTICA LATERAL CUBETA	Optional
20	456019	OR 2037 O-ring 2037 O-Ring 2037 OR 2037 OR 2037	
21	80700	PERNO RISCIAQUO HINGE STIFT BROCHES PERNO	
22	80697	GHIERA ULTRA RINSE INOX NUT RING BAGUE VIROLA ULTRA RINSE INOX	
23	325070	PROLUNGA PERNO RISC.SUP.X5 EXTENSION, FOR UPPER RINSE PIN X5 VERLANGERUNG, FÜR OB. NACHSPÜLZAPFEN X5 RALLONGE PIVOT RINC.SUP.X5 ALARGADOR PERNO ENJUAGUE SOP. X5	
24	303040	ANELLO DI TENUTA(INTERO)LAVAGGIO RING TEILERPLATTE BAGUE ANILLO DE ESTANQ. LAVADO	
25	993069	GRUPPO RISCIAQUO PER LAVAPIATTI RINSE ASSEMBLY NACHSPUELUNGSGRUPPE GROUPE RINCAGE GR.ENJUAGUE	
26	80345	GR.PETTINE LAVAGGIO INOX NM NEW WASH BOSS ASSEMBLY SPUELARM KOMPL. GROUPE RAMPE LAVAGE GR.PEINE LAVADO INOX NM	

6 Зип-Общепит

vsezip.ru

+7(812)987-08-81



Listino componenti per pagina 6

Зип Общепит

vsezip.ru

+7(812)987-08-81

1	130977	POMPA LAVAGGIO 50HZ WASHING UNIT + PUMP WASCHPUMPE-KOERPER+ PUMPE GROUPE POMPE DE LAVAGE + POMPE GRUPO BOMBA 50HZ	
3	335015	VENTOLA POMPA 2400 FAN LUFERRAD VENTILATEUR ROTOR BOMBA 2400	
4	206002	CONDENSATORE DA 10 mF CONDENSER - 10 mF KONDENSATOR - 10 mF CONDENSATEUR DE 10 mF CONDENSADOR DE 10 mF	
6	141008	TENUTA MECCANICA PER POMPA DI LAVAGGIO PER LAVABICI WASH PUMP SHAFT SEAL FOR GLASSWASHER MECHANISCHE DICHTUNG FUER WASCHPUMPE DER GLAESE ETANCHEITE' DE LA POMPE DE LAVAGE POUR LAVE-VERRES SELLO MEC.FISJO BOMBA	
7	141009	TENUTA MECCANICA PER POMPA DI LAVAGGIO PER LAVABICI WASH PUMP SHAFT SEAL FOR GLASSWASHER MECHANISCHE DICHTUNG FUER WASCHPUMPE DER GLAESE ETANCHEITE' DE LA POMPE DE LAVAGE POUR LAVE-VERRES SELLO MEC.GIRAT. BOMBA(0142R)	
8	124057	GIRANTE+INSERTO POMPA(2398R) IMPELLER PUMPENFLUEGEL TURBINE ROTOR+ELEMENTO BOMBA	
10	456078	OR.POMPA(2402R)3.53X170.5 OR.PUMP (2402R)3.53X170.5 TORISCHE DICHTUNG JOINT TORIQUE OR.BOMBA 3.53X170.5	
11	480148	TAPPO CHIOCCIOLA POMPA(2399R) PUMP CAP DECKEL PUMPE BOUCHON POMPE TAPON ESPIRAL BOMBA	
12	429074	GHIERA FILETTATA POMPA(2434R) NUT RING DOUILLE VIROLA ROSCADA BOMBA	
13	486242	VITE 3.5X13 TBC UNI6954(0062R) SCREW 3.5X13 SCHRAUBE 3.5X13 VIS 3.5X13 TORNILLO 3.5X13 TBC UNI6954	
14	116032	CORPO POMPA LA50(2433) PUMP HOUSING PUMPENGEHAEUSE CORPS POMPE CUERPO BOMBA LA50	