

Зип Общепит

vsezip.ru

+7(812)987-08-81

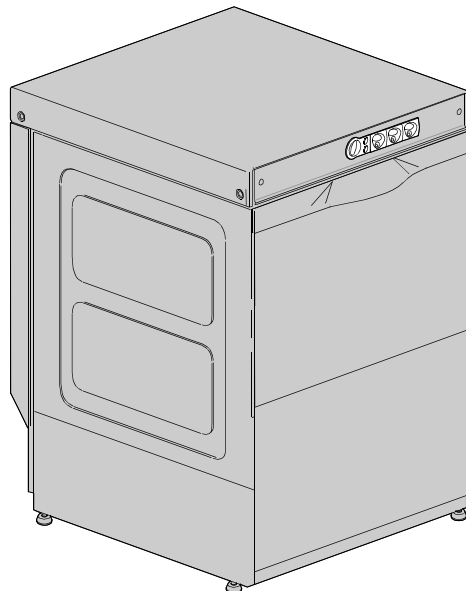
DISHWASHER

ELECTROMECHANICAL SWITCHES
LOWER WASHING
LOWER AND UPPER WASHING

TYPE: 74U

Accessories
BREAK TANK
BOOSTER PUMP
DVGW
COLD RINSE
WATER SOFTNER
DETERGENT DISPENSER
DRAIN PUMP

Spare parts manual



Зип Общепит

vsezip.ru

+7(812)987-08-81

vsezip.ru

+7(812)987-08-81

1. Spare parts

| | |
|---------------------------------------|----|
| General body parts..... | 7 |
| Lockup system | 9 |
| Control panel | 11 |
| Control electric components..... | 13 |
| Solenoid valve group | 15 |
| Solenoid valve group | 17 |
| Break Tank | 19 |
| Booster pump..... | 21 |
| DVGW | 23 |
| Water softner group..... | 25 |
| Shining product dosing device group . | 27 |
| Boiler group | 29 |
| 3 ways derivation..... | 31 |
| 3 ways derivation | 33 |
| 4 ways derivation..... | 35 |
| Wash pump | 37 |

Wash pump 39

Dosing device group 41

Drain pump group..... 43

Pressure switch group with air trap ... 45

Turret group with rotating arms 47

Turret group with rotating arms 49

1.1 Voltage codes

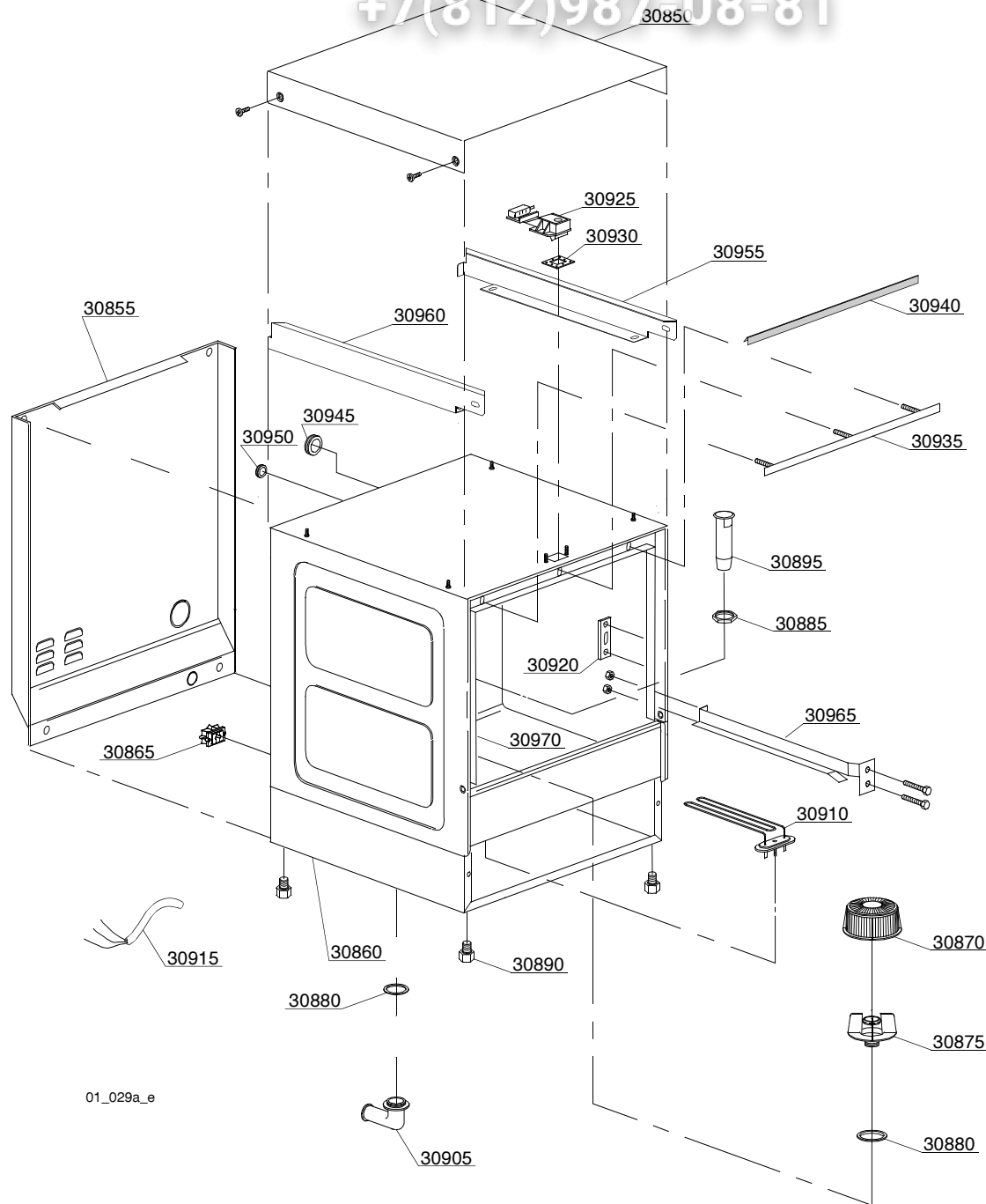
| Voltage code | Voltage |
|--------------|----------------------|
| A | 3/N/PE~400/230V 50Hz |
| B | ~250V 16A 50Hz |
| C | 3/N/PE~380/220V 50Hz |
| D | 3/PE~200V 50-60Hz |
| F | 2/PE 220-240V 50Hz |
| G | 3/N/PE~415/240V 50Hz |
| H | 3/PE~230V 50Hz |
| I | 3/PE~220V 60Hz |
| J | 3/PE~380 50Hz |
| K | 3/PE~400V 50Hz |
| L | 3/PE~415V 50Hz |
| M | 3/PE~440V 60Hz |
| N | 3/PE~460V 60Hz |
| O | 3/PE~480V 60Hz |
| P | 1/N/PE~220-240V 50Hz |
| R | 2/PE~220-230V 60Hz |
| S | 3/N/PE~400/230V 50Hz |
| T | 3/PE~230V 60Hz |

1.2 Product codes

| Product code | Full name |
|-----------------|----------------------------|
| Model codes | |
| em | ELECTROMECHANICAL SWITCHES |
| cf | LOWER WASHING |
| ls | LOWER AND UPPER WASHING |
| Type codes | |
| 74U | 74U |
| Accessory codes | |
| bt | BREAK TANK |
| pap | BOOSTER PUMP |
| dvgw | DVGW |
| fs | COLD RINSE |
| d | WATER SOFTNER |
| dde | DETERGENT DISPENSER |
| ps | DRAIN PUMP |

vsezip.ru

+7(812)987-08-81

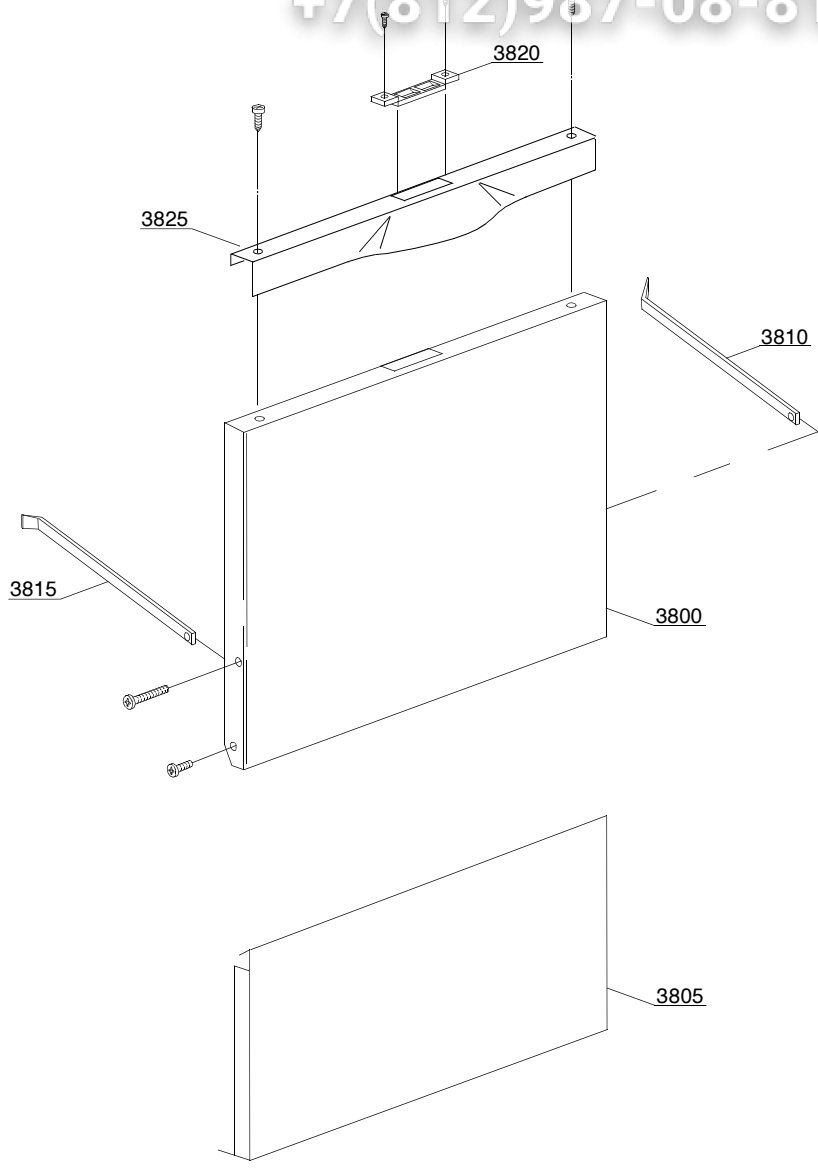


vsezip.ru

| ID | P-code | Model | Type | Accessory | Voltage | Description |
|---------------------------|----------|-------|------|-----------|---------|----------------------------|
| MODULE:General body parts | | | | | | |
| 30850 | 270022 | | 74U | | | Cover |
| 30855 | 270015 | | 74U | | | Back panel |
| 30860 | 270000 | | 74U | | | Body |
| 30860 | 270000 | | 74U | ws | | Body |
| 30865 | 15065/A | | 74U | | | Cable-fastener with screw |
| 30870 | 540002 | | 74U | | | Filter for top body |
| 30875 | 540000/A | | 74U | | | Top filter body |
| 30880 | 13305 | | 74U | | | 44x32x3 drain elbow gasket |
| 30885 | 11701/A | | 74U | | | Stainless steel nut |
| 30890 | 10850 | | 74U | | | M10x25 Ø40 black foot |
| 30895 | 135252 | | 74U | | | Overflow pipe |
| 30905 | 10701 | | 74U | | | Drain elbow |
| 30910 | 16035/A | | 74U | | | 1850W heating element |
| 30915 | 10713 | | 74U | | | 3x2,5x2500 cable |
| 30920 | 150401 | | 74U | | | Door rod slide |
| 30925 | 150402 | | 74U | | | Door jack assembly |
| 30930 | 150403 | | 74U | | | Door jack gasket |
| 30935 | 270004 | | 74U | | | Door gasket angular |
| 30940 | 135206 | | 74U | | | Door gasket |
| 30945 | 13317 | | 74U | | | Ø40mm fairlead |
| 30950 | 13323 | | 74U | | | Ø13mm fairlead |
| 30955 | 270018 | | 74U | | | Left cover back support |
| 30955 | 270018 | | 74U | | | Left cover back support |
| 30960 | 270019 | | 74U | | | Right cover back support |
| 30960 | 270019 | | 74U | | | Right cover back support |
| 30965 | 270002 | | 74U | | | Right/left internal slide |
| 30970 | 270003 | | 74U | | | Right/left internal slide |
| | | | | | | |
| | | | | | | |
| | | | | | | |
| | | | | | | |
| | | | | | | |

vsezip.ru

+7(812)987-08-81



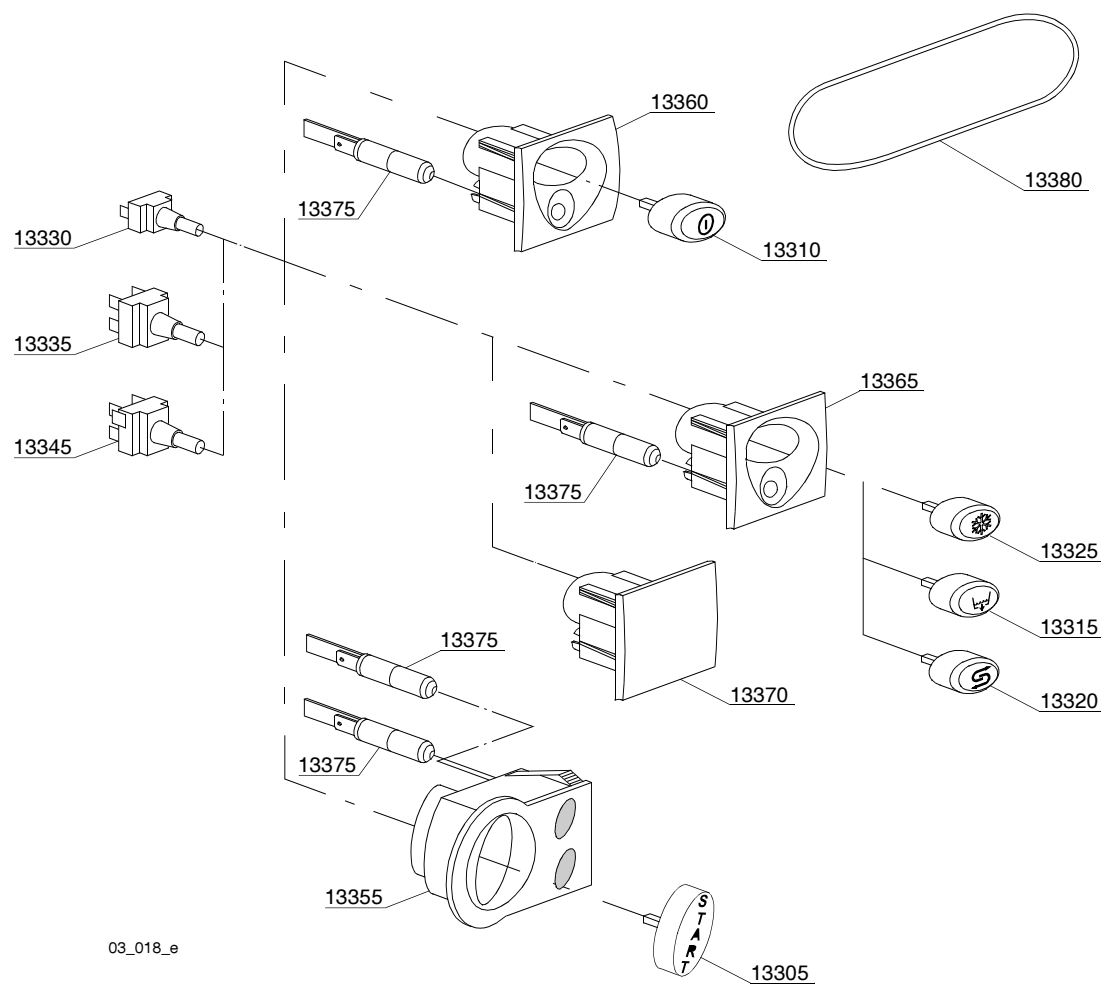
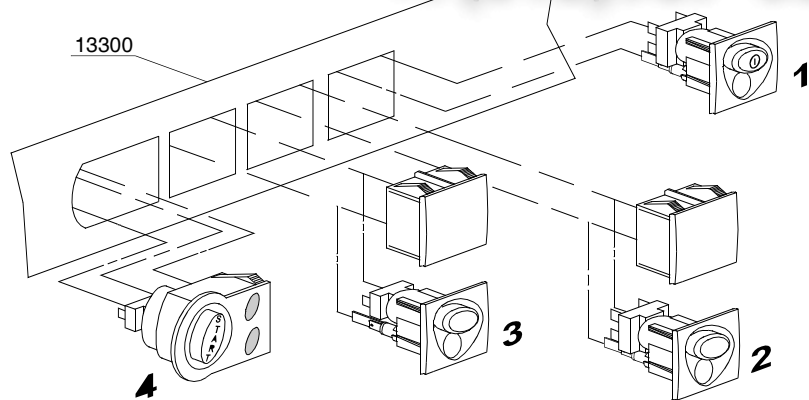
02_103_e

vsezip.ru

| ID | P-code | Model | Type | Accessory | Voltage | Description |
|----------------------|----------|-------|------|-----------|---------|------------------------|
| MODULE:Lockup system | | | | | | |
| 3800 | 270005 | | 74U | | | Door |
| 3805 | 270016 | | 74U | | | Lower door |
| 3810 | 250006 | | 74U | | | Right door rod |
| 3815 | 250007 | | 74U | | | Left door rod |
| 3820 | 150402/D | | 74U | | | Door jack |
| 3825 | 270010 | | 74U | | | Stainless steel handle |
| | | | | | | |
| | | | | | | |
| | | | | | | |
| | | | | | | |

vsezip.ru

+7(812)987-08-81



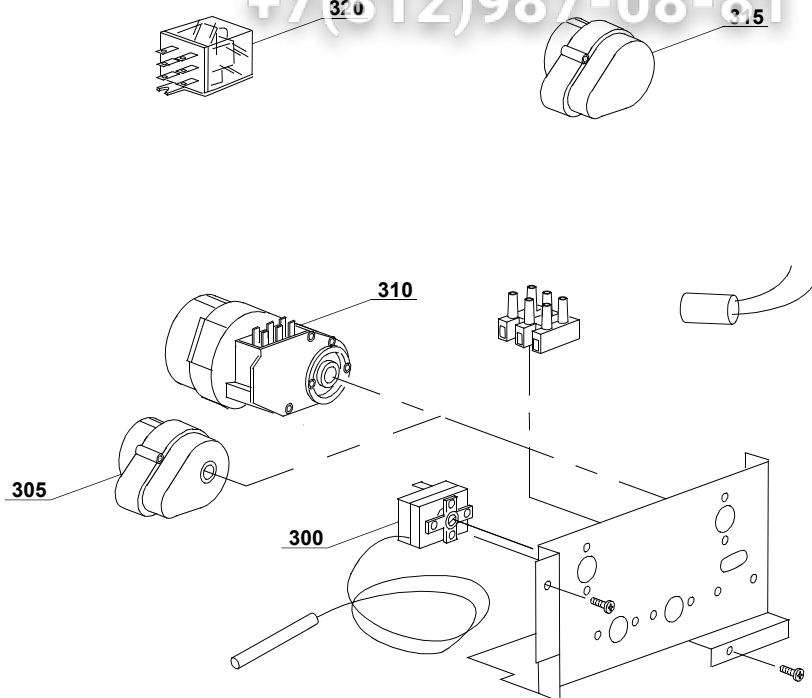
03_018_e

vsezip.ru

| ID | P-code | Model | Type | Accessory | Voltage | Description |
|----------------------|---------|-------|------|-----------|---------|--------------------------------|
| MODULE:Control panel | | | | | | |
| 13300 | 270025 | | 74U | | | Control panel GS 40/03 |
| 13305 | 89347 | | 74U | | | Start key |
| 13310 | 89340 | | 74U | | | ON-OFF key |
| 13315 | 89343 | | 74U | dp | | Drain pump key |
| 13320 | 89345 | | 74U | ws | | Regeneration key |
| 13325 | 89344 | | 74U | cr | | Hot/cold key |
| 13330 | 15813 | | 74U | | | 16A unipolar push button |
| 13335 | 15812 | | 74U | | | 16A switch |
| 13335 | 15800 | | 74U | | | 16A bipolar push button |
| 13345 | 15811 | | 74U | | | 16A bipolar switch |
| 13345 | 15811/A | | 74U | | | 16A bipolar switch push button |
| 13355 | 89301 | | 74U | | | Start key support |
| 13360 | 89304 | | 74U | | | Key support |
| 13365 | 89302 | | 74U | dp,ws,cr | | Key support |
| 13370 | 89303 | | 74U | | | Closed support |
| 13375 | 15826 | | 74U | | | Pilot light |
| 13380 | 89333 | | 74U | | | OR gasket |
| | | | | | | |
| | | | | | | |
| | | | | | | |
| | | | | | | |

vsezip.ru

+7(812)987-08-81



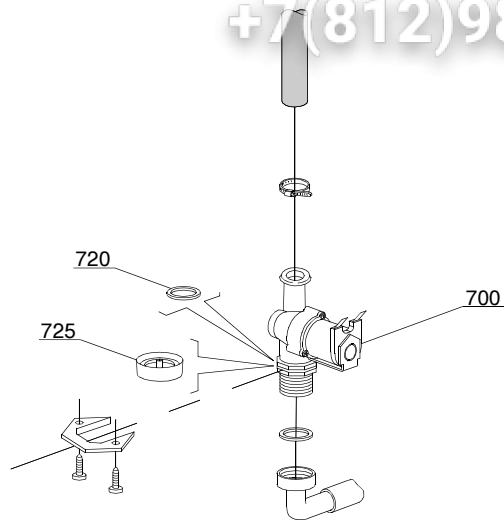
04_007_e

vsezip.ru

| ID | P-code | Model | Type | Accessory | Voltage | Description |
|------------------------------------|---------|-------|------|-----------|---------|----------------------------|
| MODULE:Control electric components | | | | | | |
| 300 | 10707/1 | | 74U | | | 0-90°C thermostat |
| 305 | 10708/L | | 74U | | | 120''' timer |
| 315 | 16064/A | | 74U | ws | | Regeneration timer |
| 320 | 15620 | | 74U | dp | | Bipolar relay in deviation |
| | | | | | | |
| | | | | | | |
| | | | | | | |

vsezip.ru

+7(812)987-08-81



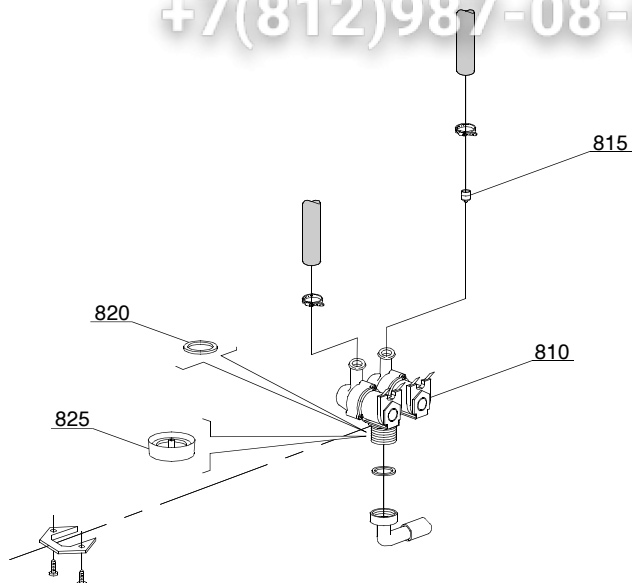
05_002_e

vsezip.ru

| ID | P-code | Model | Type | Accessory | Voltage | Description |
|------------------------------|--------|-------|------|-----------|---------|-------------------------|
| MODULE: Solenoid valve group | | | | | | |
| 700 | 10703 | | 74U | | | Single solenoid valve |
| 720 | N.C. | | 74U | | | Pression reducing valve |

vsezip.ru

+7(812)987-08-81



05_003_e

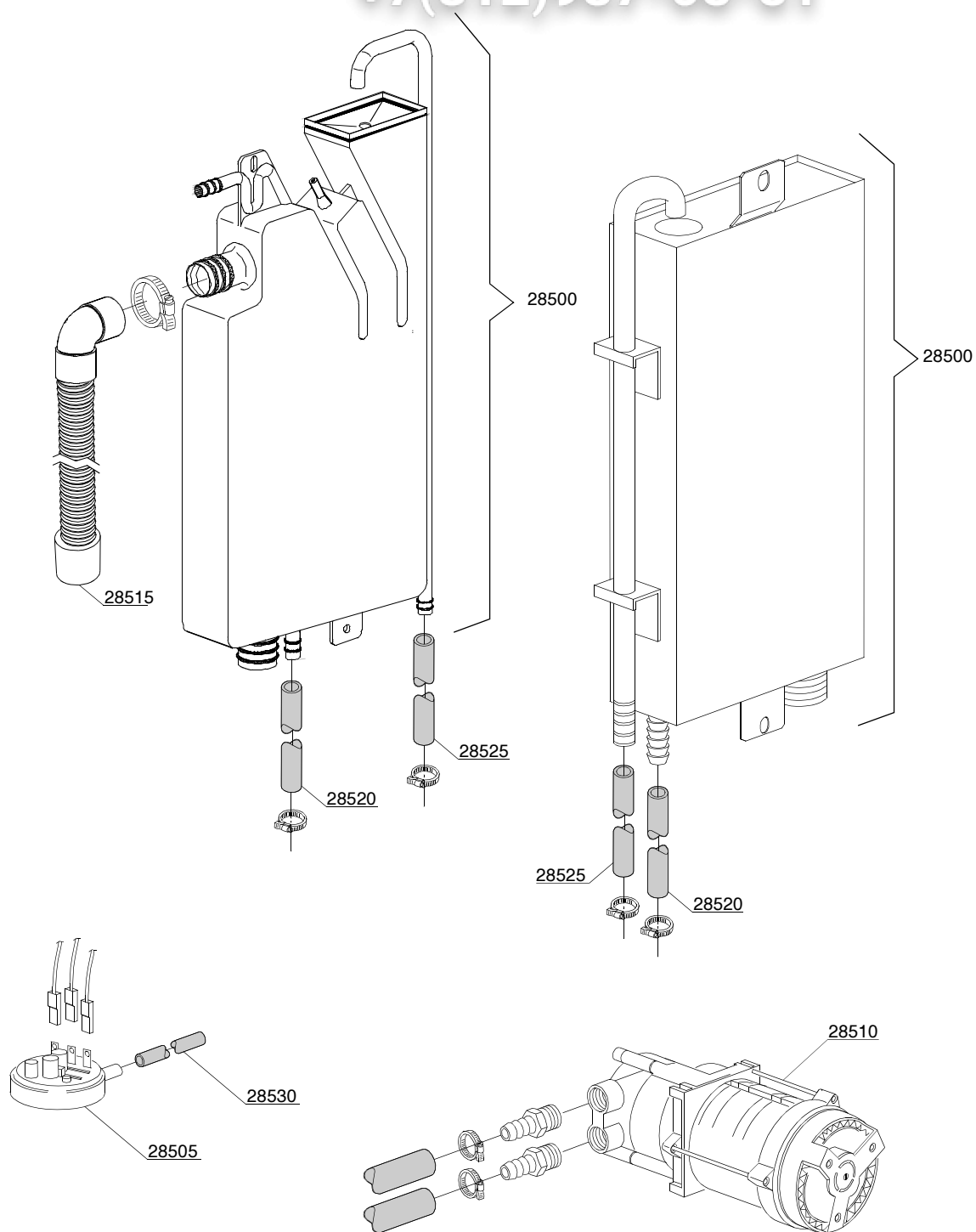
vsezip.ru

| ID | P-code | Model | Type | Accessory | Voltage | Description |
|------------------------------|--------|-------|------|-----------|---------|-------------------------------|
| MODULE: Solenoid valve group | | | | | | |
| 810 | 15098 | | 74U | cr,ws | | Double solenoid valve - Ø10 |
| 815 | 15115 | | 74U | cr,ws | | Green pression solenoid valve |
| 820 | N.C. | | 74U | cr,ws | | Pression reducing valve |
| 825 | 15315 | | 74U | cr,ws | | Red pression reducing valve |
| | | | | | | |
| | | | | | | |
| | | | | | | |

vsezip.ru

+7(812)987-08-81

06_004_e

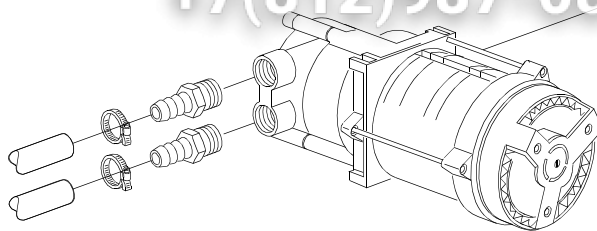


vsezip.ru

| ID | P-code | Model | Type | Accessory | Voltage | Description |
|-------------------|---------|-------|------|-----------|---------|------------------------|
| MODULE:Break Tank | | | | | | |
| 28500 | 15735 | | 74U | bt | | Break tank assembly |
| 28505 | 10706/A | | 74U | bt | | 47-27 pressure switch |
| 28510 | 15100/D | | 74U | bt | | Booster pump |
| 28515 | 15721 | | 74U | bt | | BT long pipe L=1070 |
| 28515 | 15722 | | 74U | bt | | BT middle pipe L=920 |
| 28515 | 15723 | | 74U | bt | | BT small pipe L=920 |
| 28520 | 2907350 | | 74U | bt | | 12x20 EPDM rubber pipe |
| 28525 | 2907352 | | 74U | bt | | PVC WRAS rubber pipe |
| | | | | | | |
| | | | | | | |

vsezip.ru

+7(812)987-08-81 7509



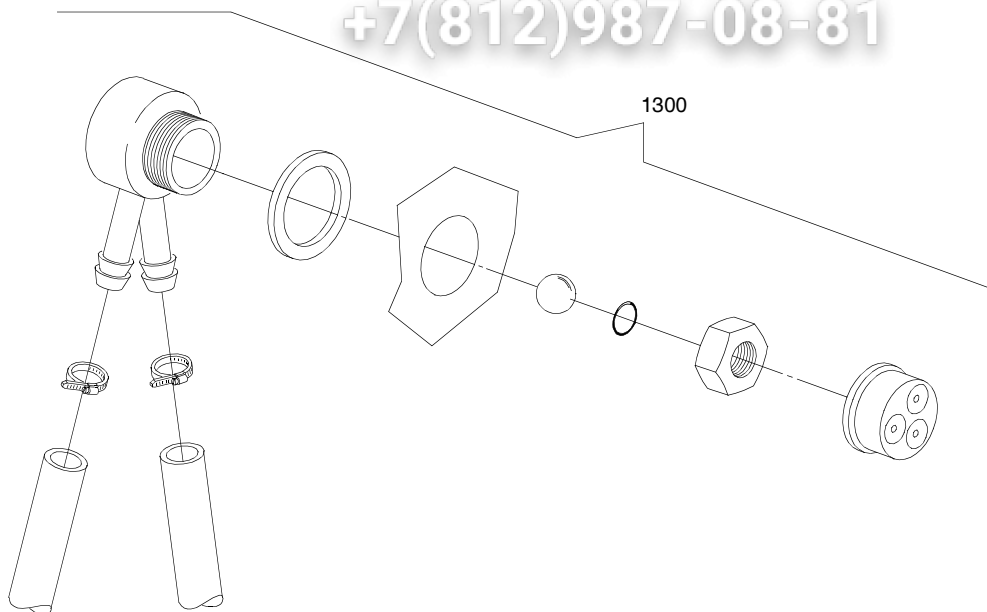
07_003_e

vsezip.ru

| ID | P-code | Model | Type | Accessory | Voltage | Description |
|---------------------|---------|-------|------|-----------|---------|--------------|
| MODULE:Booster pump | | | | | | |
| 7500 | 15100/D | | 74U | bp | | Booster pump |
| | | | | | | |

vsezip.ru

+7(812)987-08-81

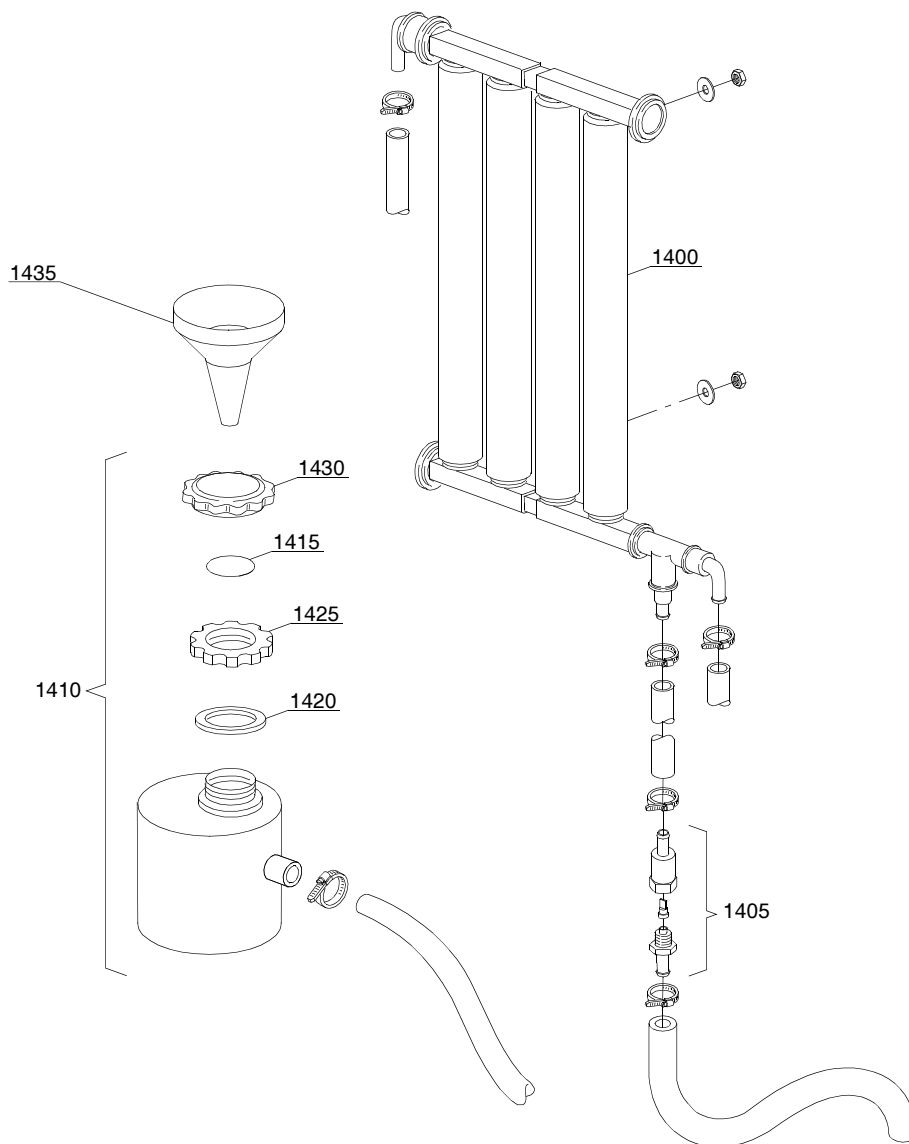


08_005_e

vsezip.ru

| ID | P-code | Model | Type | Accessory | Voltage | Description |
|-------------|-----------|-------|------|-----------|---------|---------------|
| MODULE:DVGW | | | | | | |
| 1300 | 999900006 | | 74U | dvgw | | DVGW assembly |
| | | | | | | |

09_001_e

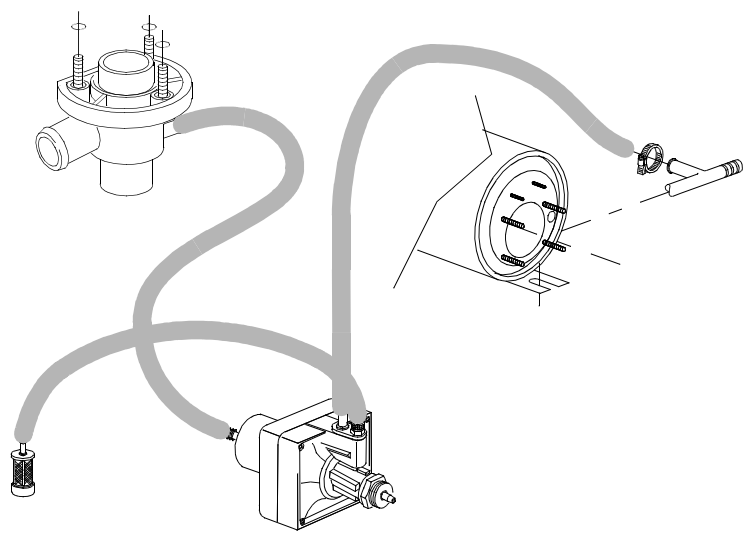
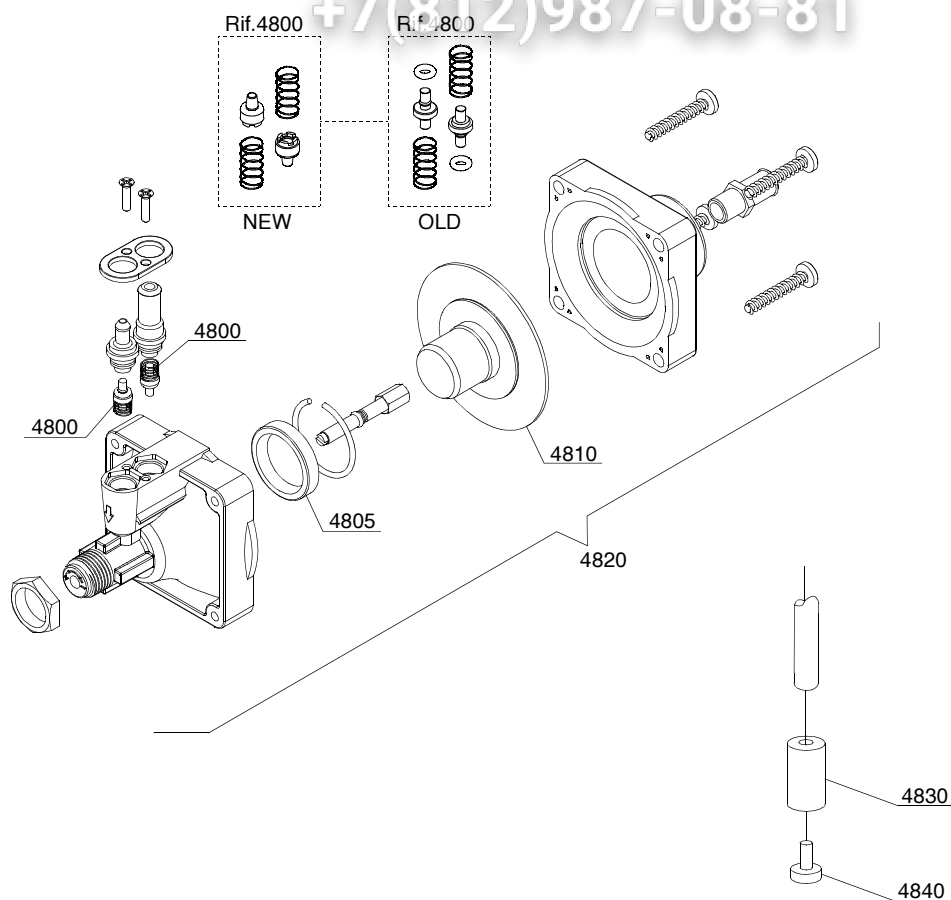


vsezip.ru

| ID | P-code | Model | Type | Accessory | Voltage | Description |
|----------------------------|---------|-------|------|-----------|---------|--------------------------|
| MODULE:Water softner group | | | | | | |
| 1400 | 16066 | | 74U | ws | | 4 elements water softner |
| 1405 | 16070 | | 74U | ws | | Nonreturn valve |
| 1410 | 16065 | | 74U | ws | | Salt container |
| 1415 | 16067/A | | 74U | ws | | OR gasket |
| 1420 | 16067/B | | 74U | ws | | Gasket |
| 1425 | 16067/C | | 74U | ws | | Ring nut |
| 1430 | 16067/D | | 74U | ws | | Plug |
| 1435 | 16082 | | 74U | ws | | Funnel |
| | | | | | | |
| | | | | | | |
| | | | | | | |

vsezip.ru

+7(812)987-08-81



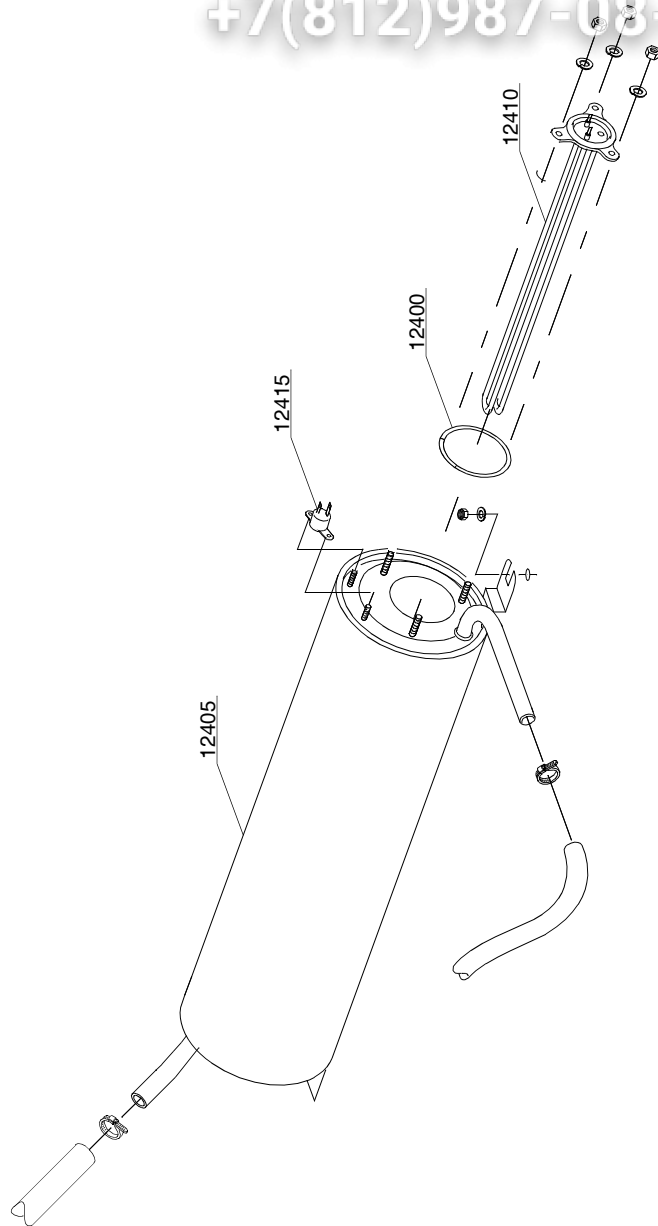
10_004_e

vsezip.ru

| ID | P-code | Model | Type | Accessory | Voltage | Description |
|--|--------|-------|------|-----------|---------|-------------------------------|
| MODULE:Shining product dosing device group | | | | | | |
| 4800 | 10805 | | 74U | | | Tecnopro dosing valve |
| 4805 | 10806 | | 74U | | | Ø22 gasket |
| 4810 | 10807 | | 74U | | | Membrane |
| 4820 | 10799 | | 74U | | | Shining product dosing device |
| 4830 | 12525 | | 74U | | | Counter-weight |
| 4840 | 15058 | | 74U | | | Small filter |
| | | | | | | |
| | | | | | | |
| | | | | | | |

vsezip.ru

+7(812)987-09-81



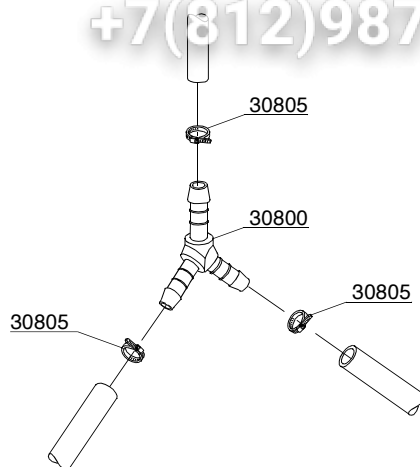
11_007_e

vsezip.ru

| ID | P-code | Model | Type | Accessory | Voltage | Description |
|---------------------|---------|-------|------|-----------|---------|-----------------------|
| MODULE:Boiler group | | | | | | |
| 12400 | 13010 | | 74U | | | OR gasket |
| 12405 | 140905 | | 74U | | | Boiler |
| 12410 | 18206 | | 74U | | | 2,4KW heating element |
| 12410 | 18206/D | | 74U | | | 2,8KW heating element |
| 12410 | 18215 | | 74U | | | 4KW heating element |
| 12415 | 15550 | | 74U | | | Safety thermostat |
| | | | | | | |
| | | | | | | |

vsezip.ru

+7(812)987-08-81



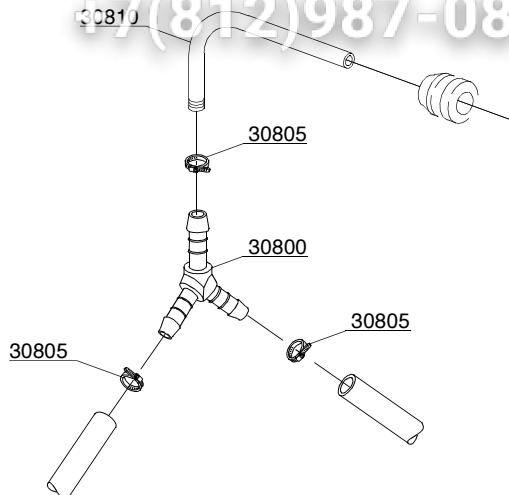
12_003ae

vsezip.ru

| ID | P-code | Model | Type | Accessory | Voltage | Description |
|--------------------------|--------|-------|------|-----------|---------|----------------------------------|
| MODULE:3 ways derivation | | | | | | |
| 30800 | 540090 | | 74U | | | Ø10 mm plastic 3 ways derivation |
| 30805 | 11807 | | 74U | | | 12/22 clamp |

vsezip.ru

+7(812)987-08-81



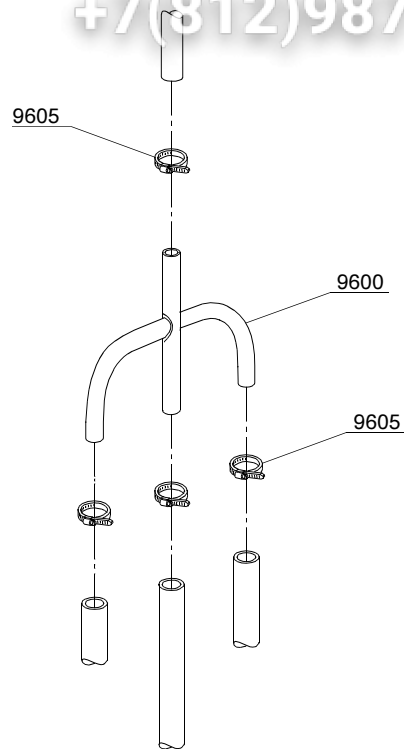
12_003be

vsezip.ru

| ID | P-code | Model | Type | Accessory | Voltage | Description |
|--------------------------|--------|-------|------|-----------|---------|----------------------------------|
| MODULE:3 ways derivation | | | | | | |
| 30800 | 540091 | | 74U | | | Ø12 mm plastic 3 ways derivation |
| 30805 | 11807 | | 74U | | | 12/22 clamp |
| 30810 | 15168 | | 74U | | | Rinse ramp |
| | | | | | | |

vsezip.ru

+7(812)987-08-81



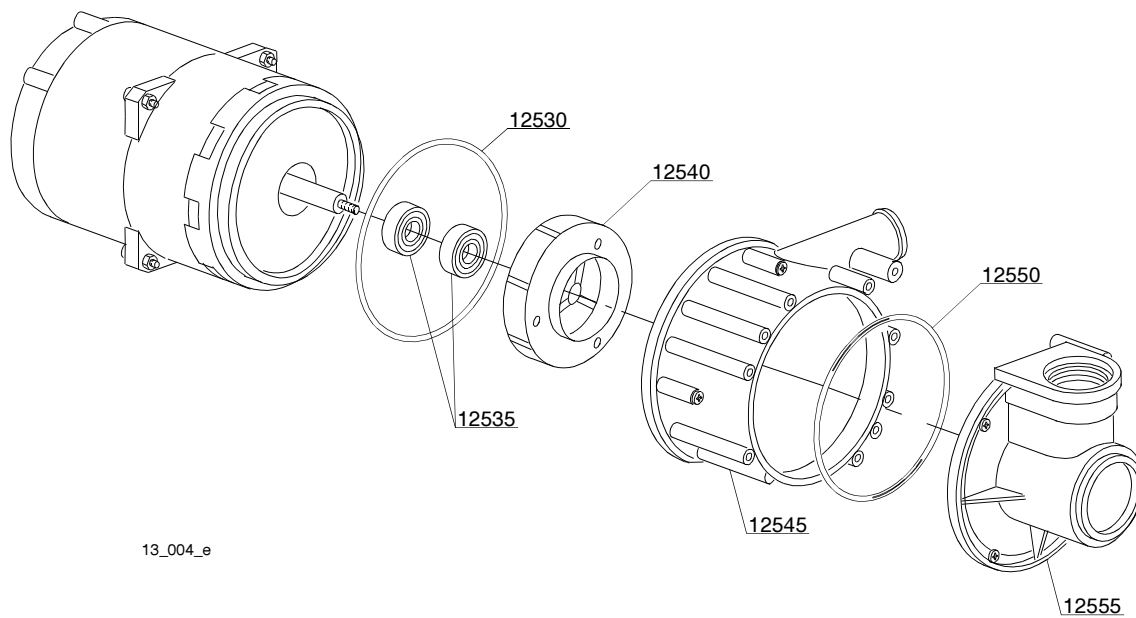
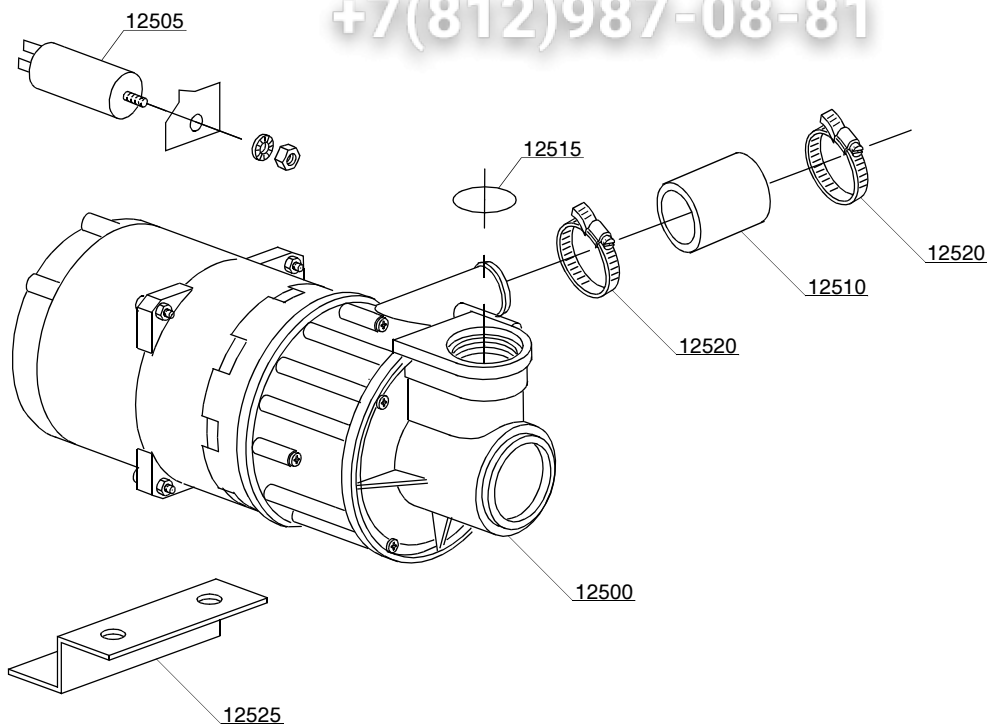
12_004_e

vsezip.ru

| ID | P-code | Model | Type | Accessory | Voltage | Description |
|--------------------------|--------|-------|------|-----------|---------|--------------------------|
| MODULE:4 ways derivation | | | | | | |
| 9600 | 15151 | | 74U | cr | | Ø10 mm 4 ways derivation |
| 9605 | 11807 | | 74U | | | 12/22 clamp |
| | | | | | | |
| | | | | | | |

vsezip.ru

+7(812)987-08-81



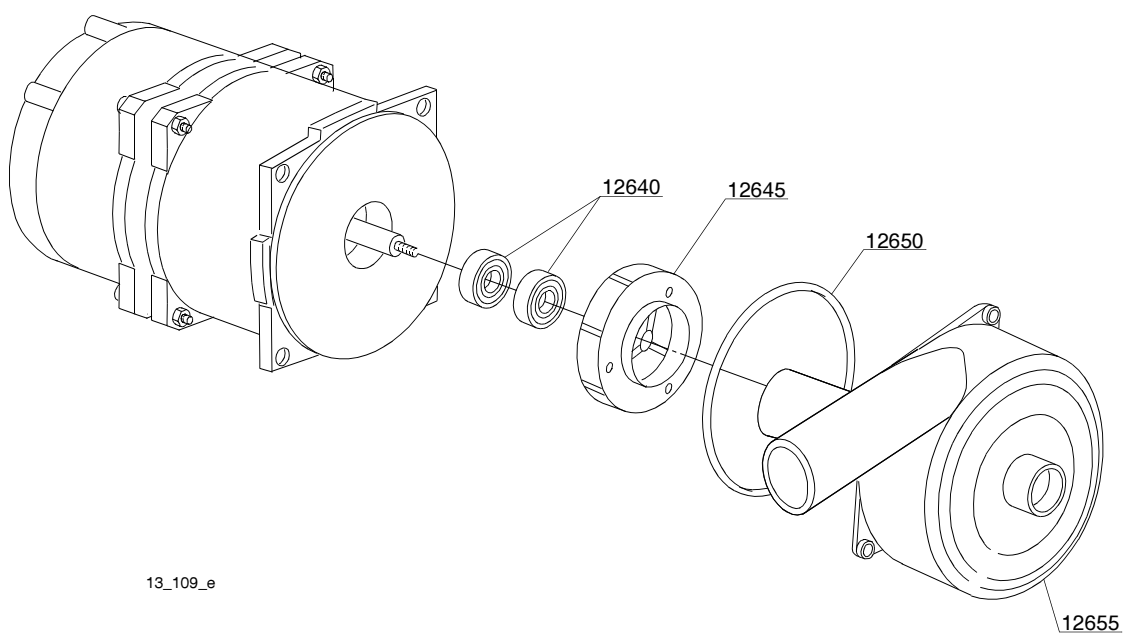
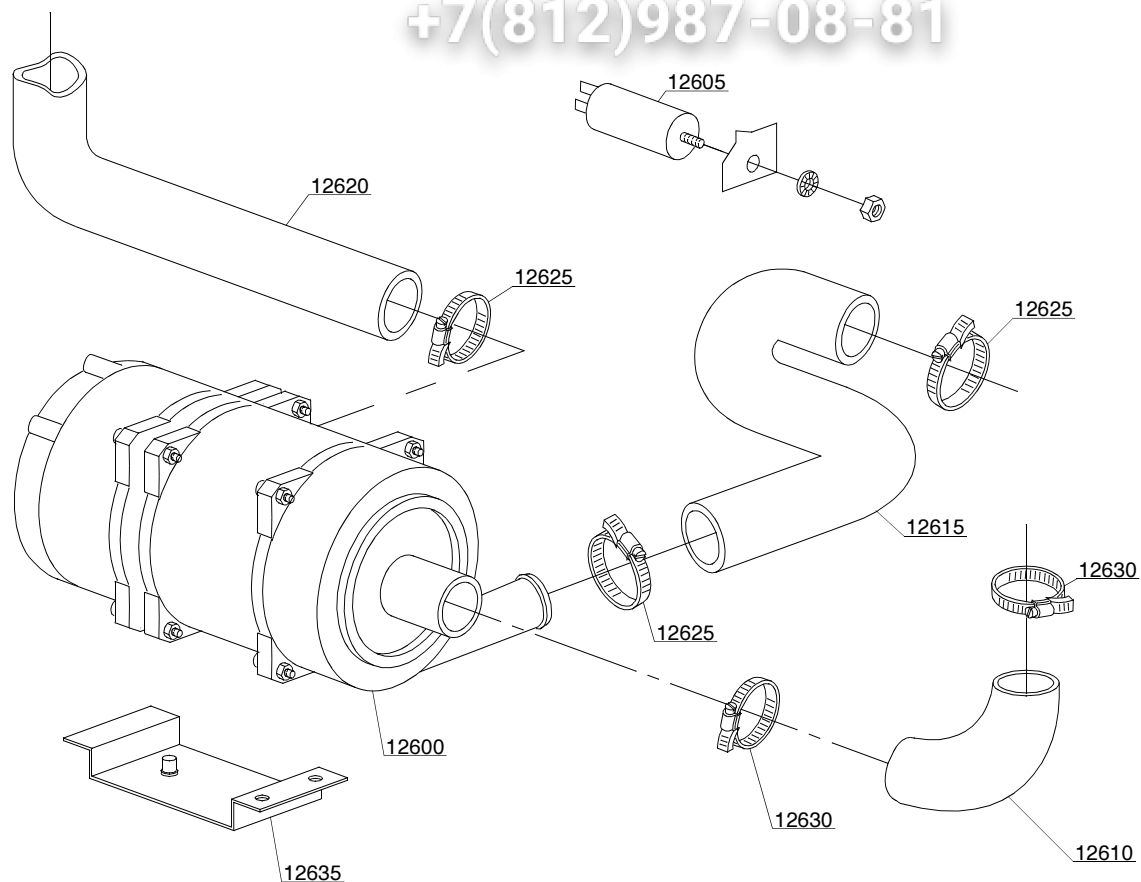
13_004_e

vsezip.ru

| ID | P-code | Model | Type | Accessory | Voltage | Description |
|------------------|--------|-------|------|-----------|---------|------------------------|
| MODULE:Wash pump | | | | | | |
| 12500 | 135501 | | 74U | | A | 0,30Hp wash pump |
| 12500 | 135500 | | 74U | | H | 0,30Hp 60Hz wash pump |
| 12505 | 10702 | | 74U | | | 5 uF condenser |
| 12510 | 10718 | | 74U | | | Pump pipe coupling |
| 12515 | 13019 | | 74U | | | 4137 OR 140 NBR gasket |
| 12520 | 11806 | | 74U | | | 25/40 clamp |
| 12525 | 440123 | | 74U | | | Pump support |
| 12530 | 135502 | | 74U | | | OR gasket |
| 12535 | 15080 | | 74U | | | Rotating seals |
| 12540 | 135505 | | 74U | | | Pump rotor |
| 12545 | 135504 | | 74U | | | Delivery scroll |
| 12550 | 135506 | | 74U | | | OR gasket |
| 12555 | 135503 | | 74U | | | Suction scroll |
| | | | | | | |
| | | | | | | |
| | | | | | | |
| | | | | | | |

vsezip.ru

+7(812)987-08-81



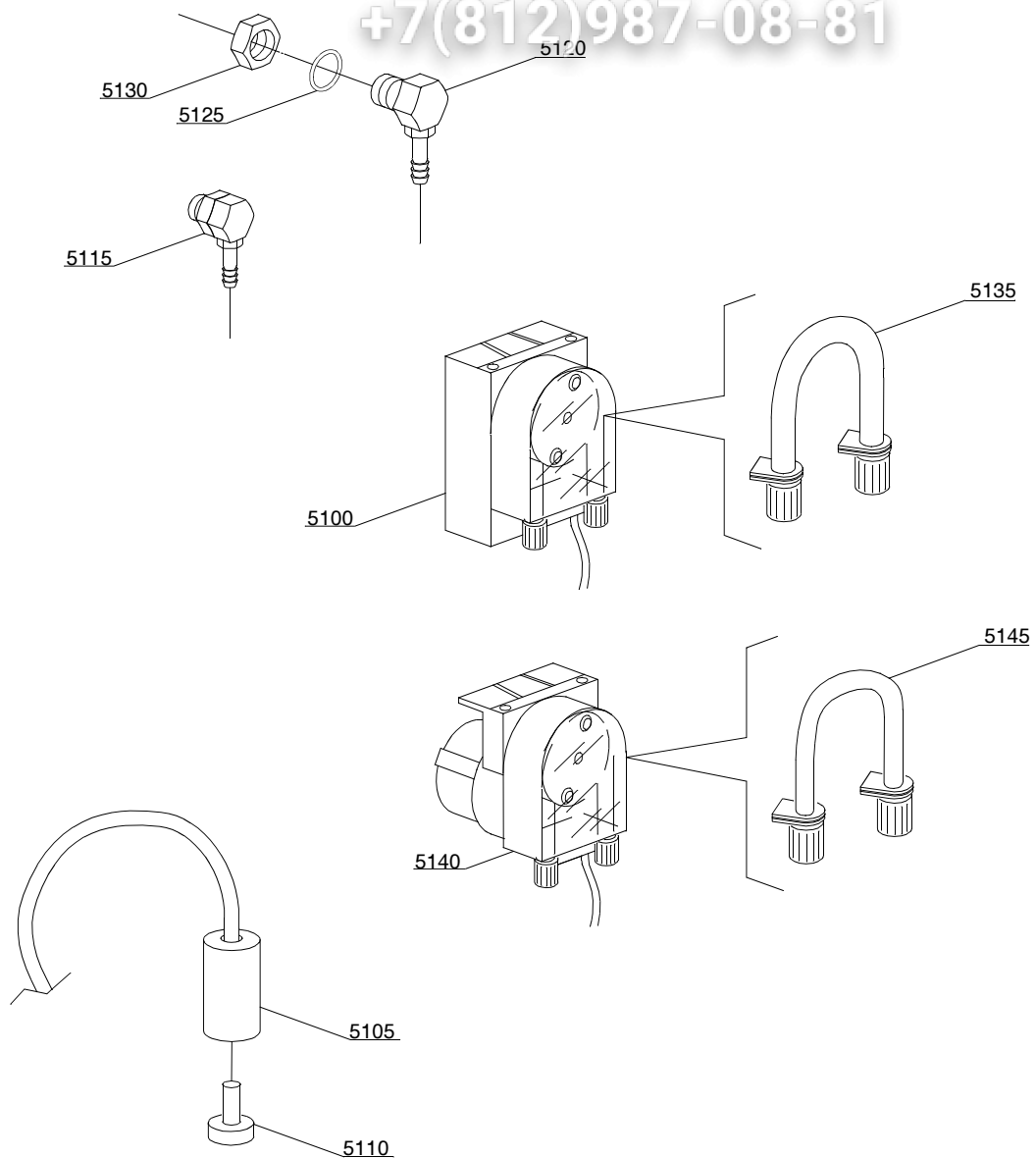
13_109_e

vsezip.ru

| ID | P-code | Model | Type | Accessory | Voltage | Description |
|------------------|---------|-------|------|-----------|---------|--------------------------|
| MODULE:Wash pump | | | | | | |
| 12600 | 18300 | | 74U | | | 0,45Hp wash pump |
| 12600 | 18242/B | | 74U | | | 0,30Hp wash pump |
| 12605 | 16043 | | 74U | | | 8 uF condenser |
| 12610 | 18787 | | 74U | | | Suction pipe coupling |
| 12615 | 16168 | | 74U | | | Lower wash delivery pipe |
| 12620 | 16167 | | 74U | | | Wash ramp |
| 12625 | 11806 | | 74U | | | 25/40 clamp |
| 12630 | 11809 | | 74U | | | 30/45 clamp |
| 12635 | 440122 | | 74U | | | Pump support |
| 12640 | 15080 | | 74U | | | Rotating seals |
| 12645 | 18259 | | 74U | | | Pump rotor |
| 12650 | 18245 | | 74U | | | OR gasket |
| 12655 | 18247 | | 74U | | | Scroll |
| | | | | | | |
| | | | | | | |
| | | | | | | |

vsezip.ru

+7(812)987-08-81



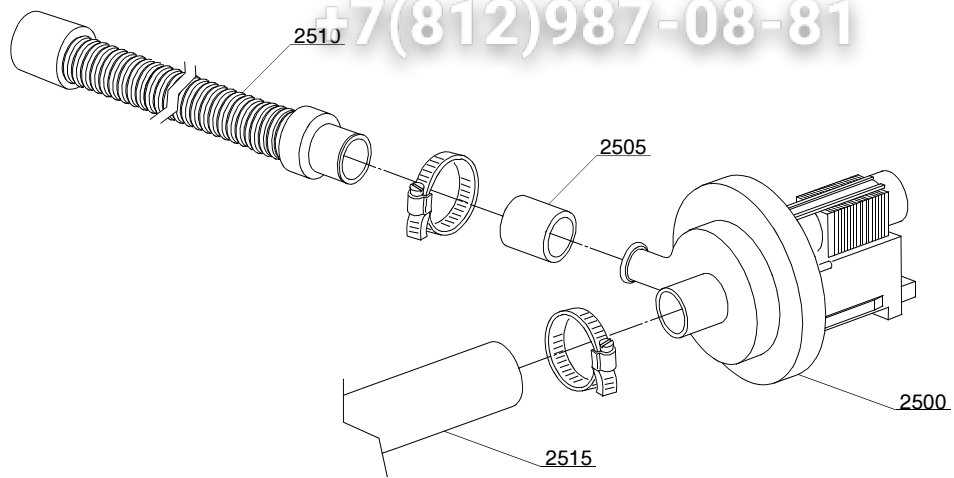
14_004_e

vsezip.ru

| ID | P-code | Model | Type | Accessory | Voltage | Description |
|----------------------------|----------|-------|------|-----------|---------|---------------------------|
| MODULE:Dosing device group | | | | | | |
| 5100 | 15985 | | 74U | dd | | Seko dosing device |
| 5105 | 12525 | | 74U | dd | | Counter-weight |
| 5110 | 15058 | | 74U | dd | | Small filter |
| 5115 | 15123 | | 74U | dd | | Compleat plastic injector |
| 5120 | 15148 | | 74U | dd | | Steel injector |
| 5125 | 15159 | | 74U | dd | | OR gasket |
| 5130 | 10200205 | | 74U | dd | | M12x1 stainless steel nut |
| 5135 | 15185 | | 74U | dd | | Seko thermoplastic pipe |
| 5140 | 15985 | | 74U | dd | | Germac dosing device |
| 5145 | 15108/E | | 74U | dd | | Germac thermoplastic pipe |
| | | | | | | |
| | | | | | | |
| | | | | | | |

vsezip.ru

+7(812)987-08-81



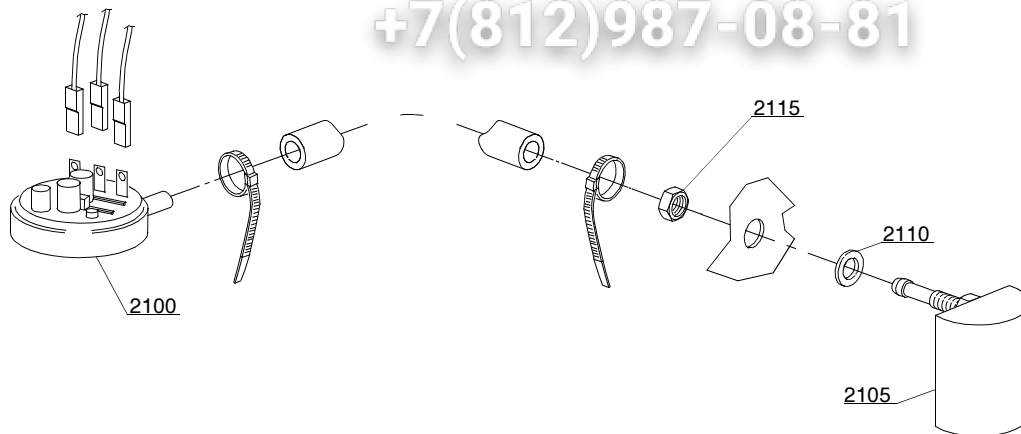
15_004_e

vsezip.ru

| ID | P-code | Model | Type | Accessory | Voltage | Description |
|-------------------------|---------|-------|------|-----------|---------|-------------------|
| MODULE:Drain pump group | | | | | | |
| 2500 | 15101 | | 74U | dp | | Drain pump |
| 2505 | 15101/D | | 74U | dp | | Pipe fitting |
| 2510 | 10727 | | 74U | dp | | Drain pipe |
| 2515 | 18044 | | 74U | dp | | Ø28 top wash pipe |
| | | | | | | |
| | | | | | | |

vsezip.ru

+7(812)987-08-81



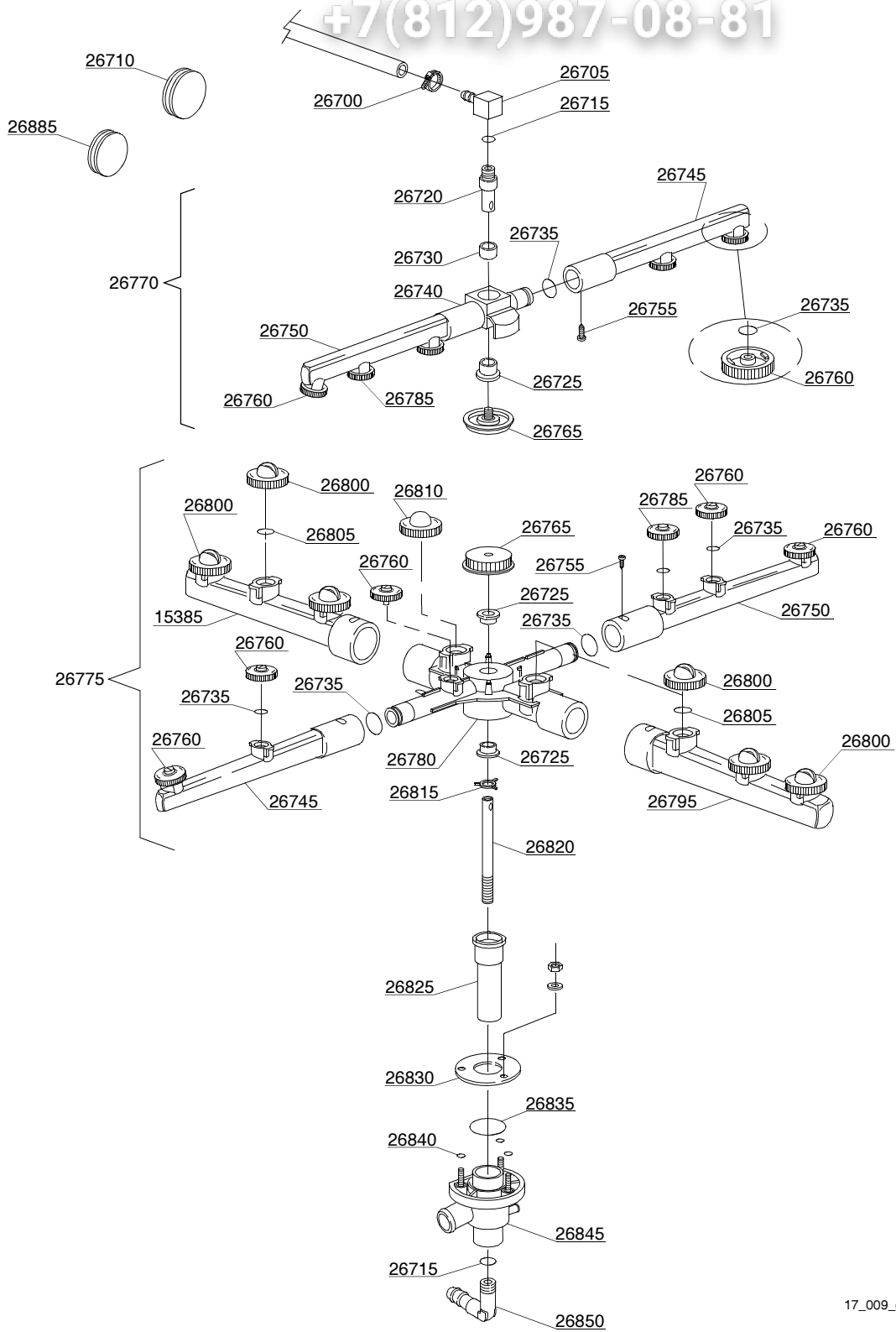
16_001_e

vsezip.ru

| ID | P-code | Model | Type | Accessory | Voltage | Description |
|--|---------|-------|------|-----------|---------|------------------------|
| MODULE:Pressure switch group with air trap | | | | | | |
| 2100 | 10706/A | | 74U | | | 47-27 pressure switch |
| 2105 | 10911/B | | 74U | | | Air trap assembly |
| 2110 | 13301 | | 74U | | | Gasket |
| 2115 | 11702 | | 74U | | | M8 stainless steel nut |
| | | | | | | |
| | | | | | | |
| | | | | | | |

vsezip.ru

+7(812)987-08-81



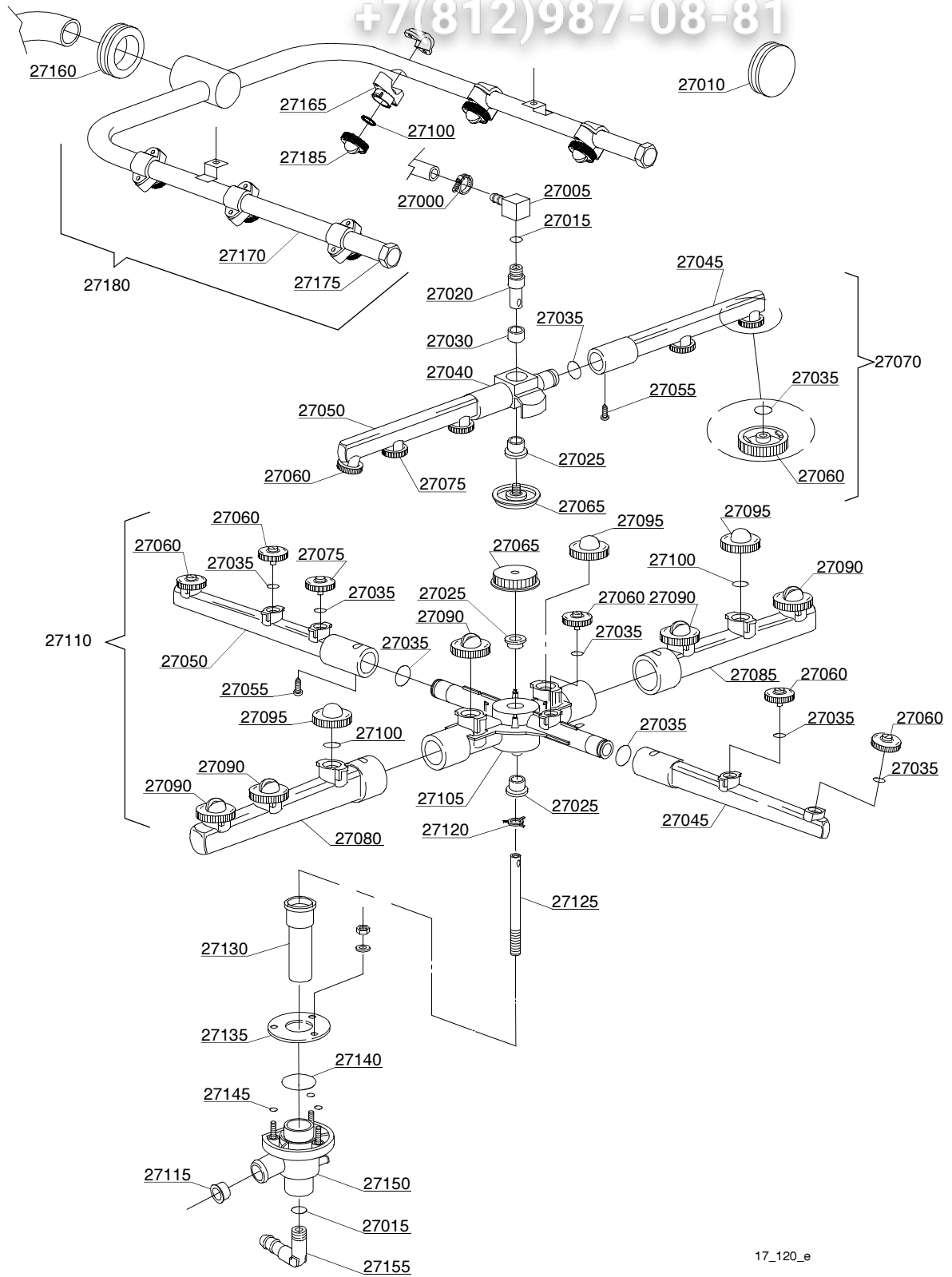
17_009_e

vsezip.ru

| ID | P-code | Model | Type | Accessory | Voltage | Description |
|--|---------|-------|------|-----------|---------|--|
| MODULE:Turret group with rotating arms | | | | | | |
| 26700 | 11807 | | 74U | | | 12/22 clamp |
| 26705 | 350402 | | 74U | | | Top turret rinse hub |
| 26710 | 13316 | | 74U | | | 43x10 blind gasket |
| 26715 | 13003 | | 74U | | | OR 112 NBR gasket |
| 26720 | 350401 | | 74U | | | Lower axle rinse hub |
| 26725 | 13319 | | 74U | | | Sliding washer |
| 26730 | 13320 | | 74U | | | Sliding washer |
| 26735 | 13002 | | 74U | | | OR R6 NBR gasket |
| 26740 | 10359 | | 74U | | | Rinse rotor |
| 26745 | 10360 | | 74U | | | Right rinse pipe |
| 26750 | 10361 | | 74U | | | Left rinse pipe |
| 26755 | 11004 | | 74U | | | 4x10 TCB Ø8 spax toothed screw |
| 26760 | 12537 | | 74U | | | Opened head rinse nozzle |
| 26765 | 10365 | | 74U | | | Handle with insert |
| 26770 | 10996 | | 74U | | | Top rinse group |
| 26775 | 540998 | | 74U | | | Lower wash/rinse group |
| 26780 | 540013 | | 74U | | | Wash rotor |
| 26785 | 12538 | | 74U | | | Closed head rinse nozzle |
| 26790 | 10355 | | 74U | | | Right wash pipe |
| 26795 | 10356 | | 74U | | | Left wash pipe |
| 26800 | 10357 | | 74U | | | Opened head wash nozzle |
| 26805 | 13009 | | 74U | | | OR 2050 NBR gasket |
| 26810 | 10358 | | 74U | | | Closed head wash nozzle |
| 26815 | 10203 | | 74U | | | Guide pipe |
| 26820 | 16039 | | 74U | | | Ø10x1,5x185 steel ground shaft |
| 26825 | 16250 | | 74U | | | Bell-shape assembly with pipe coupling |
| 26830 | 16038 | | 74U | | | Ø60 stainless steel disk |
| 26835 | 13000 | | 74U | | | OR 3125 NBR gasket |
| 26840 | 13001 | | 74U | | | OR 104 NBR gasket |
| 26845 | 10205/A | | 74U | | | Lower wash turret with hole |
| 26850 | 12030 | | 74U | | | 3/8M Ø12 elbow pipe fitting |
| 26855 | 13316/A | | 74U | | | DVGW hole gasket |
| | | | | | | |
| | | | | | | |
| | | | | | | |
| | | | | | | |
| | | | | | | |

vsezip.ru

+7(812)987-08-81



17_120_e

vsezip.ru

| ID | P-code | Model | Type | Accessory | Voltage | Description |
|---|---------|-------|------|-----------|---------|--|
| MODULE:Turret group with rotating arms +7(812)987-08-81 | | | | | | |
| 27000 | 11807 | | 74U | | | 12/22 clamp |
| 27005 | 350402 | | 74U | | | Top turret rinse hub |
| 27010 | 13316/A | | 74U | | | DVGW hole gasket |
| 27015 | 13003 | | 74U | | | OR 112 NBR gasket |
| 27020 | 350401 | | 74U | | | Lower axle rinse hub |
| 27025 | 13319 | | 74U | | | Sliding washer |
| 27030 | 13320 | | 74U | | | Sliding washer |
| 27035 | 13002 | | 74U | | | OR R6 NBR gasket |
| 27040 | 10359 | | 74U | | | Rinse rotor |
| 27045 | 10360 | | 74U | | | Right rinse pipe |
| 27050 | 10361 | | 74U | | | Left rinse pipe |
| 27055 | 11004 | | 74U | | | 4x10 TCB Ø8 spax toothed screw |
| 27060 | 12537 | | 74U | | | Opened head rinse nozzle |
| 27065 | 10365 | | 74U | | | Handle with insert |
| 27070 | 10996 | | 74U | | | Top rinse group |
| 27075 | 12538 | | 74U | | | Closed head rinse nozzle |
| 27080 | 10355 | | 74U | | | Right wash pipe |
| 27085 | 10356 | | 74U | | | Left wash pipe |
| 27090 | 10366 | | 74U | | | 1,9 opened head wash nozzle |
| 27095 | 10358 | | 74U | | | Closed head wash nozzle |
| 27100 | 13009 | | 74U | | | OR 2050 NBR gasket |
| 27105 | 540013 | | 74U | | | Wash rotor |
| 27110 | 540995 | | 74U | | | Top/lower wash/rinse group |
| 27115 | 18249 | | 74U | | | Flux reducer |
| 27115 | 12518 | | 74U | ws | | Flux reducer |
| 27120 | 10203 | | 74U | | | Guide pipe |
| 27125 | 16039 | | 74U | | | Ø10x1,5x185 steel ground shaft |
| 27130 | 16250 | | 74U | | | Bell-shape assembly with pipe coupling |
| 27135 | 16038 | | 74U | | | Ø60 stainless steel disk |
| 27140 | 13000 | | 74U | | | OR 3125 NBR gasket |
| 27145 | 13001 | | 74U | | | OR 104 NBR gasket |
| 27150 | 10205/A | | 74U | | | Lower wash turret with hole |
| 27155 | 12030 | | 74U | | | 3/8M Ø12 elbow pipe fitting |
| 27160 | 13306/A | | 74U | | | Top wash ramp gasket |
| 27165 | 10221 | | 74U | | | Wash nozzle |
| 27165 | 10275 | | 74U | | | Wash nozzle |
| 27170 | 16161 | | 74U | | | Top wash pipe |
| 27175 | 12503 | | 74U | | | Plug |
| 27180 | 16920 | | 74U | | | Top wash group |
| 27185 | 10378 | | 74U | | | Nozzle |