



Heißluftöfen & Kombidämpfer Kombidämpfer

Artikel-Nr. 212016 (P916RXXS)

Explosionszeichnung / Ersatzteile

Bitte bei Ersatzteilbestellung immer Artikelnummer und Seriennummer mit angeben!

Зип Общепит
vsezip.ru
+7(812)987-08-81

cookmax ist eine Marke der PENTAGAST eG
Philipp-Reis-Straße 9, D-36093 Künzell
Tel: +49 (0) 66 1 / 93 48 3 - 0 / Fax: +49 (0) 66 1 / 93 48 3 - 25
info@pentagast.de
www.pentagast.de

PIRON SRL

SPARE PART LIST P916RXXS

CODE	COMPLETE INTERNAL GLASS	DRAW NUMBER	UM	QUANTITY
VET00057	COMPLETE INTERNAL GLASS	10 PZ	1	
VET30001	INTERNAL GLASS	1 PZ	1	
PER30001	DOOR HINGE PIN IX304 934/936	16 PZ	1	
PER30005	DOOR HINGE PIN IX304 904.906.910	122 PZ	1	
PIA30015	SUPPORT FOR DOOR HINGE	69 PZ	2	
PIA30005	SUPPORT FOR HANDLE HINGE	5 PZ	1	
PIA30016	BLOCK FOR INTERNAL GLASS DOOR	2 PZ	2	
LAN30001	INSULATION WOOD	72 PZ	1	
LAN30002	INSULATION WOOD	71 PZ	1	
MOL30001	PRE GALVANIZED SPRING	92 PZ	14	
MOT30002	GEAR 120W/	63 PZ	2	
MUF30009	COOKING CHAMBER	53 PZ	1	
PIA30014	SUPPORT DOOR	82 PZ	4	
RES30006	HEATING ELEMENTS 4000W	50 PZ	2	
TER30008	SECURITY THERMOSTAT	74 PZ	1	
TUB30002	TUBE STEAM EXHAUST	61 PZ	1	
TUB30026	HUMIDIFICATION TUBE	59 PZ	2	
VEN30004	FAN V200	64 PZ	2	
PRG30005	CAM TIMER	39 PZ	1	
SUP30114	SUPPORT FOR CONTACTOR REV. COND.	36 PZ	1	
TEL30002	CONTACTOR	40 PZ	2	
VIT30021	SCREW TCC	PZ	2	
COM30001	OVEN SWITCH 0010	21 PZ	1	
TER30004	THERMOSTAT POWER REGULATOR	24 PZ	1	
TER30003	THERMOSTAT	23 PZ	1	
AB30029	CONNECTION LAMPS KIT	PZ	3	
GRU60061	CONTROL PANEL	20 PZ	1	
DEF30006	MOTOR COVER	49 PZ	1	
JIS30002	CLIP CABLE STANDOFF	121 PZ	1	
LE30005	DOUBLE ELECTRIC VALVE J-G	62 PZ	1	
FAC30002	UPPER WALL	54 PZ	1	
FAC30014	ASSEMBLED LOWER WALL	66 PZ	1	
FA30037	LOWER SIDE	76 PZ	1	
FA30036	RIGHT SIDE	34 PZ	1	
FA30033	LEFT SIDE	51 PZ	1	
FON30052	BACK SIDE	29 PZ	1	
HON30049	BACK SIDE STEAM PROTECTION	30 PZ	1	
ON30054	UPPER SIDE	55 PZ	1	
RO30199	STICKER	70 PZ	1	
JUA30002	GASKET MOD. 500/600/800/900	52 MT	2,45	
IND30001	GREEN LIGHT	28 PZ	1	
IND30002	RED LIGHT	26 PZ	2	
LAM30003-A	COMPLETE LAMP	113 PZ	3	
LAG30001-A	HANDLE	9 PZ	1	
MAG30001-B	HOOK FOR HANDLE	3 PZ	1	
MAN30008	KNOB	27 PZ	4	
MOR30001	TERMINAL BLOCK 1	38 PZ	1	
MOR30002	TERMINAL BLOCK 2	37 PZ	1	
PIA30036	SUPPORT UPPER FACE	18 PZ	1	
PIA30035	SUPPORT LOWER FACE	12 PZ	1	
PIU30004	SWITCH	19 PZ	1	
RAC30003	CONNECTION 8 90°	114 PZ	2	
RAC30001	CONNECTION 8 STRAIGHT	115 PZ	3	
SUP30002	CONTROL PANEL SUPPORT	35 PZ	1	
SUP30103	LOCK DOOR SUPPORT	33 PZ	1	
SUP30098	LOWER SUPPORT FOR HINGE	11 PZ	1	
SUP30104	UPPER SUPPORT FOR HINGE	17 PZ	1	
SUP30060	SUPPORT FOR SWITCH	86 PZ	4	
TUB30006	HUMIDITY TUBE MOTOR COVER	48 PZ	2	
TUB30028	TUBE 8*6 MM.	84 MT	2,3	
VAS30002	CONTAINER NEW SERIES 900	46 PZ	1	
GR30001	LATERAL GRID	80/81 PZ	2	
PIE30003	FOOT	42 PZ	4	
VIT30001	GRID SCREW	47 PZ	4	
VIT30042	INSERT SCREW M5	101 PZ	8	
DAD30005	SELFBRAKE NUT	99 PZ	2	

Зип Общепит

vsezip.ru

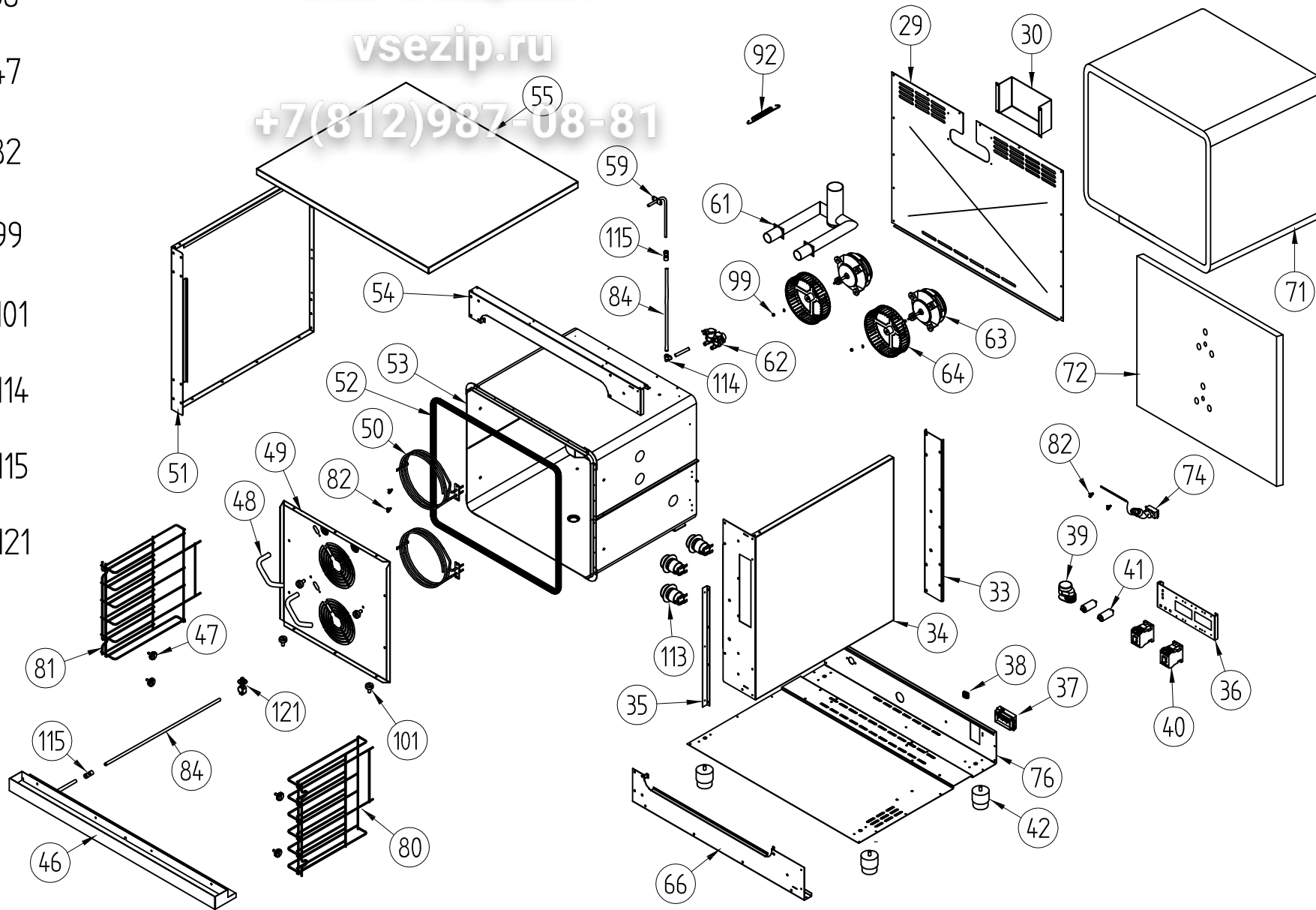
+7(812)987-08-81

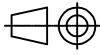
Зип Общепит

vsezip.ru

+7(812)987-08-81

-  DETAIL 38
-  DETAIL 47
-  DETAIL 82
-  DETAIL 99
-  DETAIL 101
-  DETAIL 114
-  DETAIL 115
-  DETAIL 121

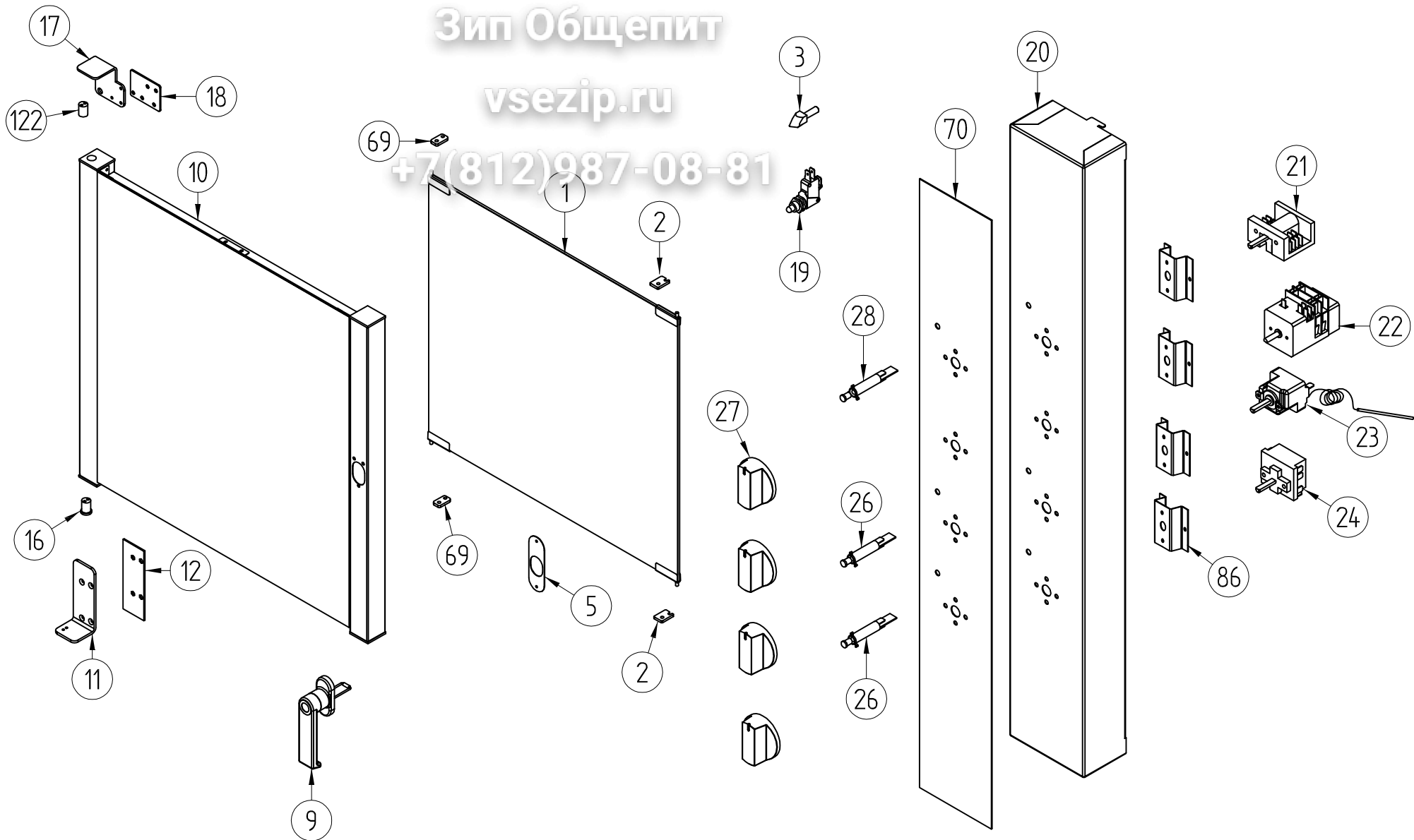


4			TOLLERANZE: UNI 5307	SCALA	www.piron.it	DENOMINAZIONE	ESPLOSO COMPONENTI CARCASSA FORNO	DISEGNATO:
3			da 1 a 6 ±0.08			MATERIALE	MODELLO	VERIFICATO
2			da 6 a 18 ±0.12	DATA		FORNO 916RXS	DISEGNO	
1			da 18 a 50 ±0.18	09/02/2012		FILE		
RELEASE	MODIFICHE	FIRMA	da 50 a 80 ±0.23			ESP30082-A		
			da 80 a 120 ±0.27					
			da 120 a 250 ±0.33					
			da 250 a 400 ±0.42					
			da 400 a oltre ±0.50					

Зип Ощепит

vsezip.ru

+7(812)987-08-81



4			TOLLERANZE: UNI 5307	SCALA	www.piron.it	DENOMINAZIONE	ESPLOSO COMPONENTI PORTA E CRUSCOTTO COMANDI		DISEGNATO:	
3		da 1 a 6 ±0,08				MATERIALE	MODELLO	FORNO 916RXS	VERIFICATO	
2		da 6 a 18 ±0,12		DATA			TRATTAMENTO	FILE	ESP30082-B	DISEGNO
1		da 18 a 50 ±0,18		21/12/2011						
	RELEASE	MODIFICHE		FIRMA						