

Зип Общепит

vsezip.ru®
retigo®
+7(812)987-08-81

Vision



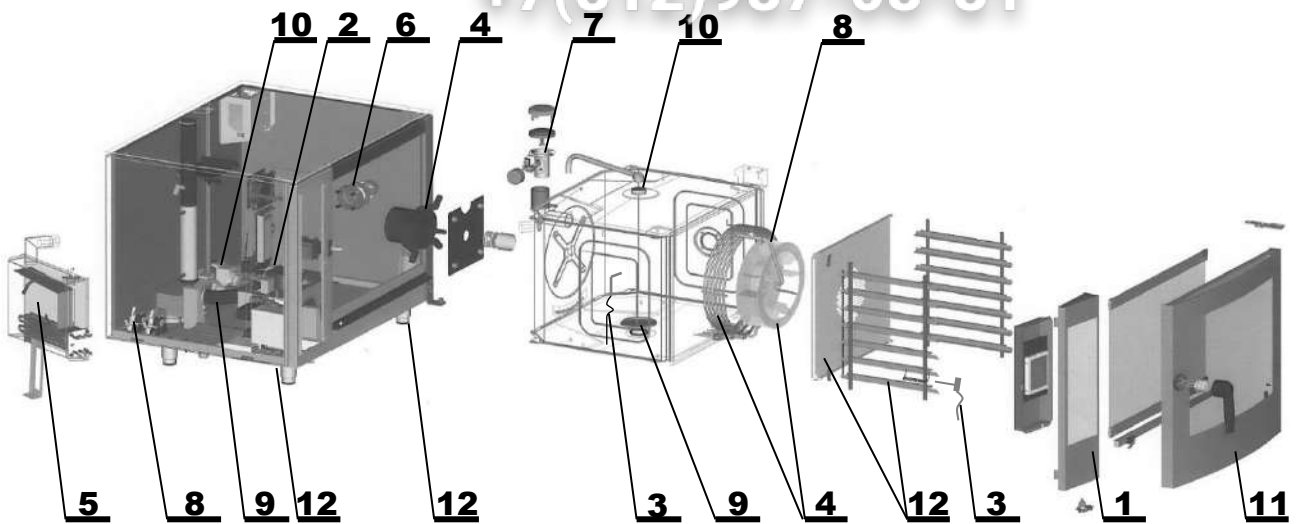
Spare parts catalogue

RETIGO Vision
Combi steamer 1011
electric

Зип Общепит

vsezip.ru

+7(812)987-08-81



CONTENT

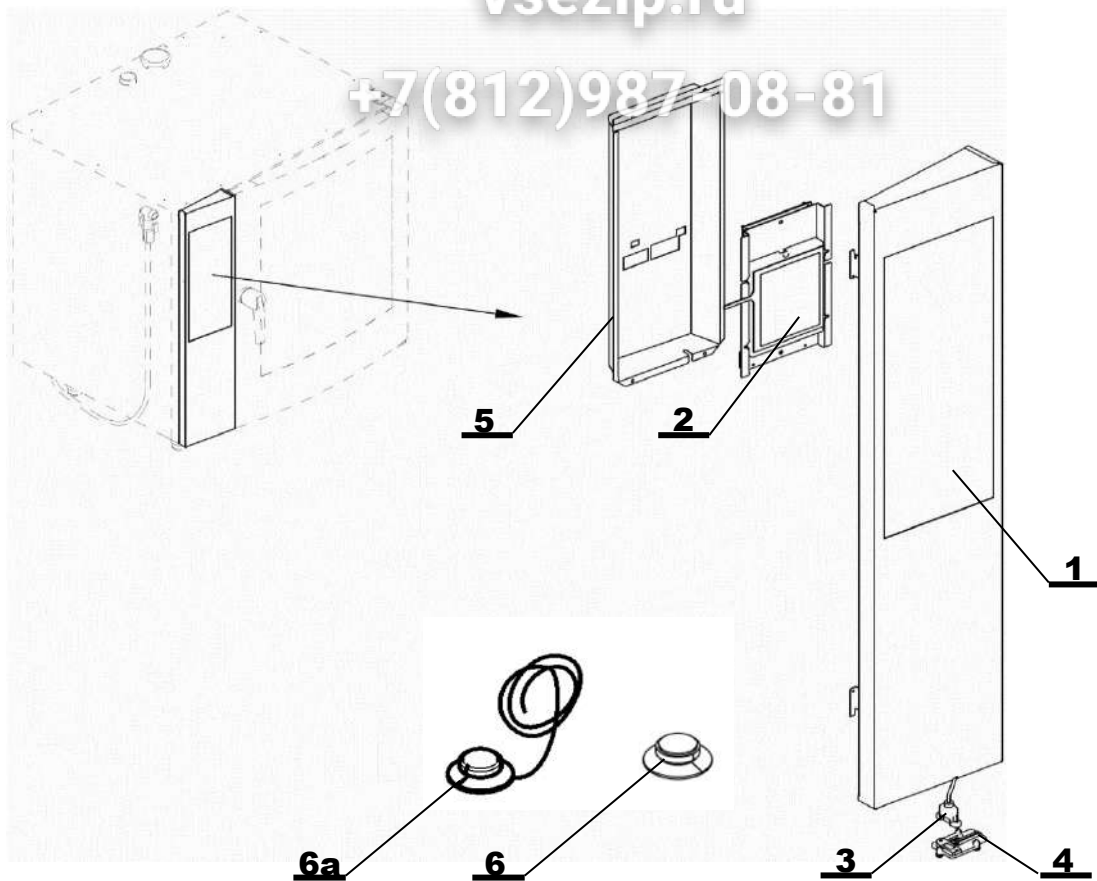
| | | Page |
|----|----------------------------|---------|
| 1 | Control panel | 4 |
| 2 | Power panel | 5 - 6 |
| 3 | Temperature sensors | 7 |
| 4 | Motor, ventilator, heating | 8 |
| 5 | Boiler | 9 |
| 6 | Light | 10 |
| 7 | Flap valve | 11 |
| 8 | Water distribution system | 12 - 13 |
| 9 | Drainage system | 14 - 15 |
| 10 | Automatic cleaning system | 16 |
| 11 | Door | 17 |
| 12 | Accessories | 18 |

3ип Общепит

CONTROL PANEL

vsezip.ru

+7(812)987 08-81



| Position | Code | Name | For type of combi oven | | | |
|----------|---------------|---|------------------------|--------|--------|--------|
| | | | B1011i | B1011b | O1011i | O1011b |
| 1 | AC21-1305/CH1 | WHOLE LEFT CORNER WITH ELECTRONIC 1011-BLUE | • | • | | |
| 1 | AC21-1306/CH1 | WHOLE LEFT CORNER WITH ELECTRONIC 1011-ORANGE | | | • | • |
| 2 | XC10-2000 | ELECTRONIC BOARD SET VISION-BLUE Freescale 2011 | • | • | | |
| 2 | XC10-2100 | ELECTRONIC BOARD SET VISION-ORANGE Freescale 2011 | | | • | • |
| 3 | EA05-0052 | USB CABLE | • | • | • | • |
| 4 | SP21-0001 | USB COVER | • | • | • | • |
| 5 | AP10-0021 | COVER OF ELECTRONICS | • | • | • | • |
| 6 | EA13-0151 | AUXILIARY LOUD-SPEAKER | • | • | • | • |
| 6a | AA11-9903 | SPEAKER SET - 1011,1221 | • | • | • | • |

Note:

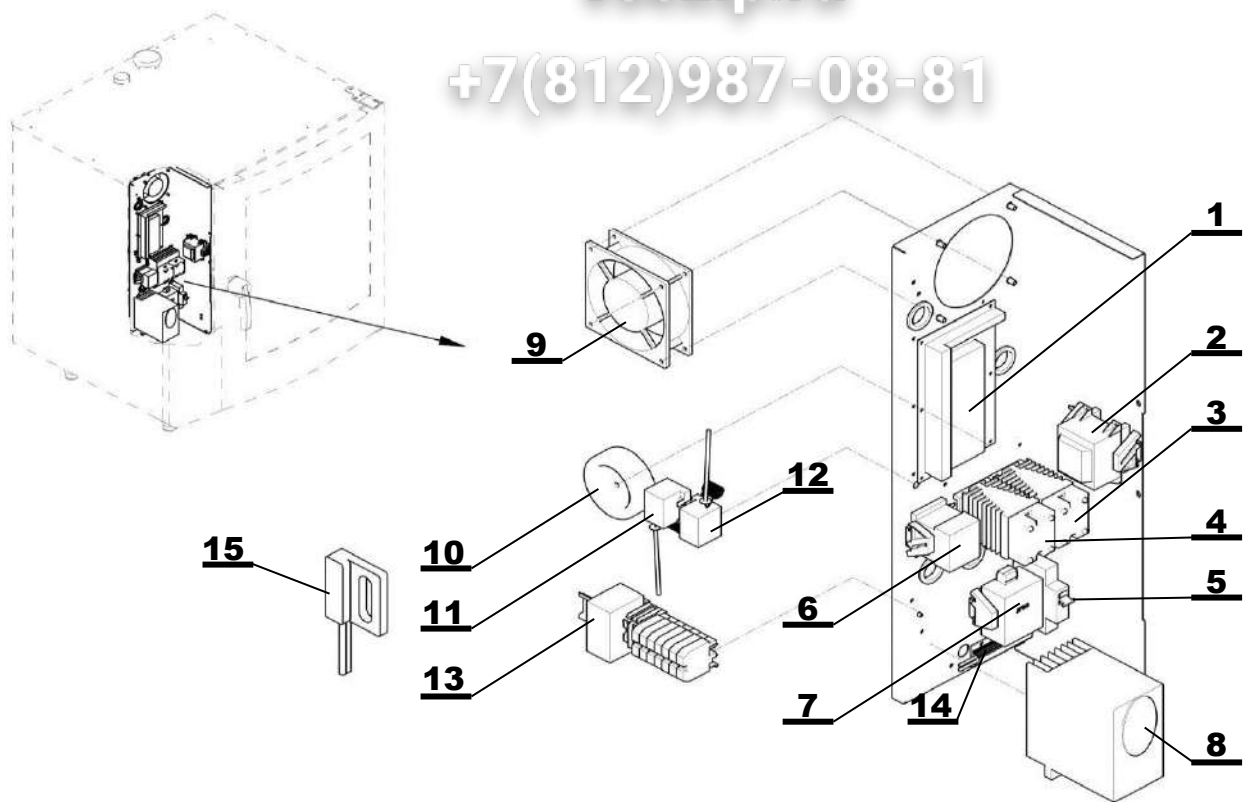
| | | | | | | |
|---|-----------------|--|---|---|---|---|
| 1 | AC21-1305/S/CH1 | LEFT CORNER PLATE 10 - BLUE WITH USB CONNECTOR | • | • | | |
| 1 | AC21-1306/S/CH1 | LEFT CORNER PLATE 10 - ORANGE WITH USB CONNECTOR | | | • | • |

Зип-Общепит

POWER PANEL - BLUE

vsezip.ru

+7(812)987-08-81



| Position | Code | Name | For type of combi oven | | | |
|----------|-----------|----------------------------------|------------------------|--------|--------|--------|
| | | | B1011i | B1011b | O1011i | O1011b |
| 1 | EA14-0080 | POWER SUPPLY BOARD VISION -R04.1 | • | • | | |
| 2 | EA13-0008 | TRANSFORMER TRONIC 17V | • | • | | |
| 3 | EA02-0203 | SOLID STATE RELAY SOB965660 | | • | | |
| 4 | EA02-0203 | SOLID STATE RELAY SOB965660 | • | • | | |
| 5 | EA03-0016 | CIRCUIT BREAKER | • | • | | |
| 6 | EA02-0004 | CONTACTOR (LC1D25P7) | • | • | | |
| 7 | EA13-0109 | SUPPRESSOR | • | • | | |
| 8 | EA13-0400 | FREQUENCY CONVERTER | • | • | | |
| 9 | ZA21-0007 | FAN SUNNON | • | • | | |
| 10 | EA13-0011 | TOROIDAL TRANSFORMER 230V/11,5V | • | • | | |
| 11 | EA04-0011 | THERMAL FUSE BOILER 140 °C | | • | | |
| 12 | EA04-0012 | THERM. FUSE FOR SPACE 360°C | • | • | | |
| 13 | EA13-0057 | SUPPRESSION COMPONENT FC611 | • | • | | |
| 14 | EA16-0041 | RESISTOR VW3TR342150RJ | • | • | | |
| 15 | EA01-0015 | DOOR SWITCH 623, 611, 1011 | • | • | | |
| 7+8+14 | EA13-0402 | KIT RETIGO VISION | • | • | | |

Note:



16

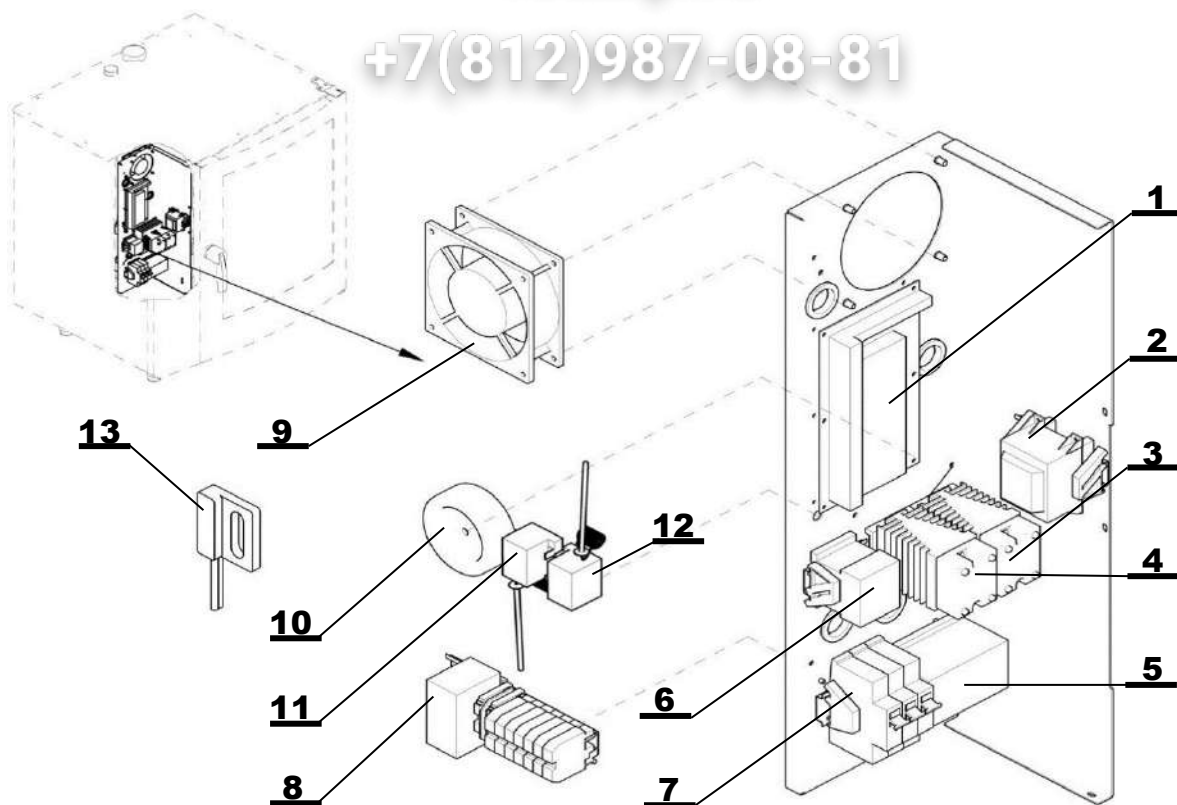


17



18

| | | | | | | |
|----|-----------|----------------|---|---|--|--|
| 16 | EA05-0072 | CABLE UTP 0,5m | • | • | | |
| 17 | EA05-0078 | CABLE K-PLC 10 | • | • | | |
| 18 | EA15-0011 | RJ 45 SPLITTER | • | • | | |



| Position | Code | Name | For type of combi oven | | | |
|----------|-----------|----------------------------------|------------------------|--------|--------|--------|
| | | | B1011i | B1011b | O1011i | O1011b |
| 1 | EA14-0080 | POWER SUPPLY BOARD VISION -R04.1 | | | • | • |
| 2 | EA13-0008 | TRANSFORMER TRONIC 17V | | | • | • |
| 3 | EA02-0203 | SOLID STATE RELAY SOB965660 | | | • | • |
| 4 | EA02-0203 | SOLID STATE RELAY SOB965660 | | | • | • |
| 5 | EA02-0002 | REVERSIBLE CONTACTOR | | | • | • |
| 6 | EA02-0004 | CONTACTOR (LC1D25P7) | | | • | • |
| 7 | EA03-0018 | CIRCUIT BREAKER PEP-10J 3P D 6A | | | • | • |
| 8 | EA13-0058 | SUPPRESSION COMPONENT FC611 13b | | | • | • |
| 9 | ZA21-0007 | FAN SUNNON | | | • | • |
| 10 | EA13-0011 | TOROIDAL TRANSFORMER 230V/11,5V | | | • | • |
| 11 | EA04-0011 | THERMAL FUSE BOILER 140 °C | | | • | • |
| 12 | EA04-0012 | THERM. FUSE FOR SPACE 360°C | | | • | • |
| 13 | EA01-0015 | DOOR SWITCH 623, 611, 1011 | | | • | • |

Note:

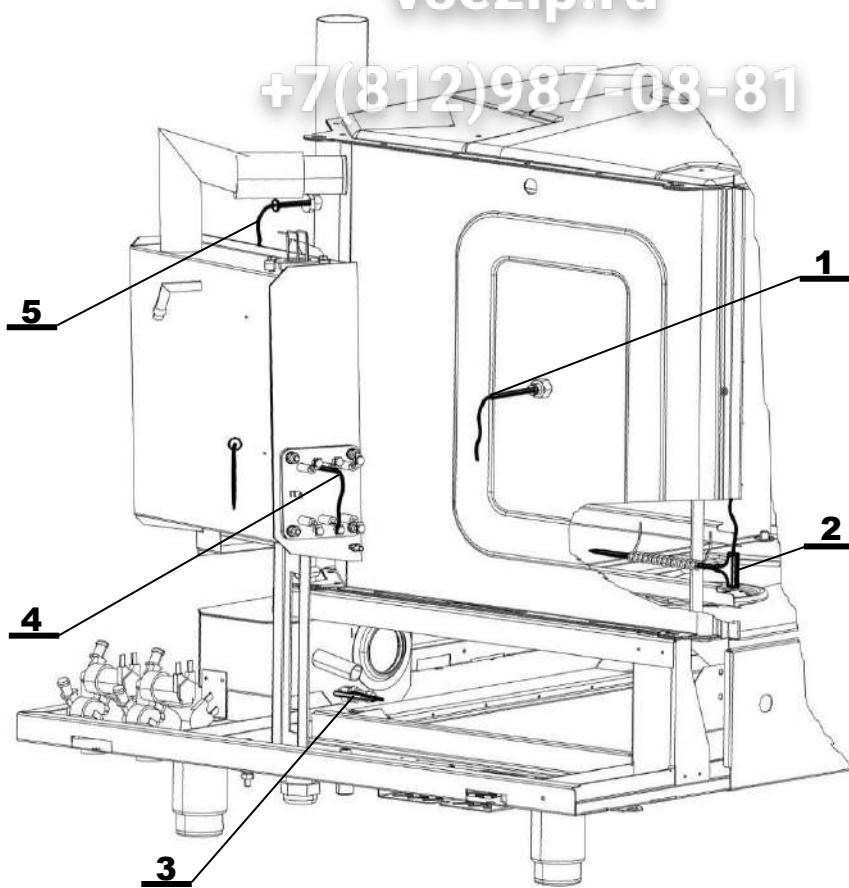


| | | | | | | |
|----|-----------|----------------|--|--|---|---|
| 14 | EA05-0078 | CABLE K-PLC 10 | | | • | • |
|----|-----------|----------------|--|--|---|---|

3ип Общеит

TEMPERATURE SENSORS
vsezip.ru

+7(812)987-08-81



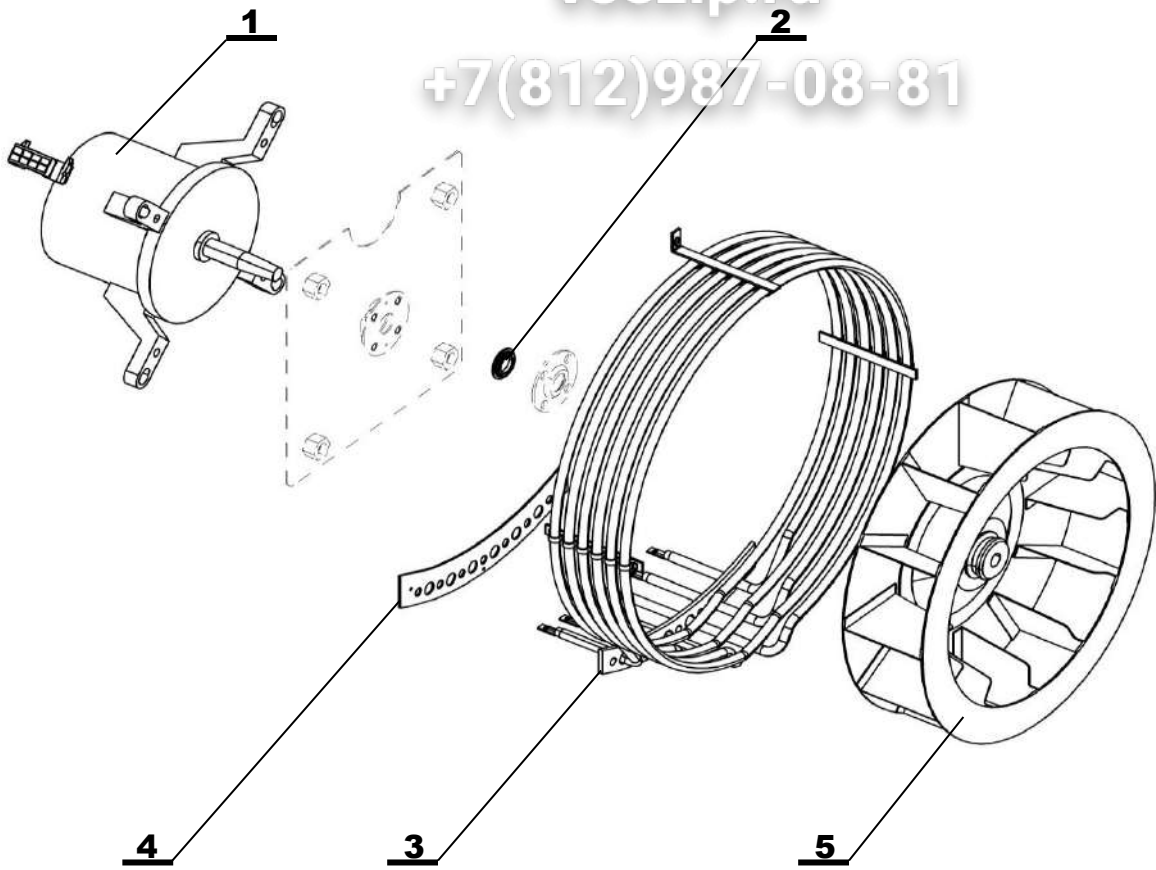
| Position | Code | Name | For type of combi oven | | | |
|----------|-----------|---|------------------------|--------|--------|--------|
| | | | B1011i | B1011b | O1011i | O1011b |
| 1 | EA10-0103 | COOKING CHAMBER AND STEAM TEMP. SENSOR | • | • | • | • |
| 2 | EA10-0118 | CORE PROBE (meat probe) - Blue - 4 point 623, 611, 1011 | • | • | | |
| 2a | EA10-0116 | CORE PROBE (meat probe) - Orange - 1 point 623, 611, 1011 | | | • | • |
| 3 | EA10-0104 | DRAIN and BOILER TEMP. SENSOR 623, 611, 1011, 1221 | • | • | • | • |
| 4 | EA10-0104 | DRAIN and BOILER TEMP. SENSOR 623, 611, 1011, 1221 | | • | | • |
| 5 | EA10-0103 | COOKING CHAMBER AND STEAM TEMP. SENSOR | | • | | • |

Note:

3ип Общепит
MOTOR VENTILATOR L9 EB30

vsezip.ru

+7(812)987-08-81



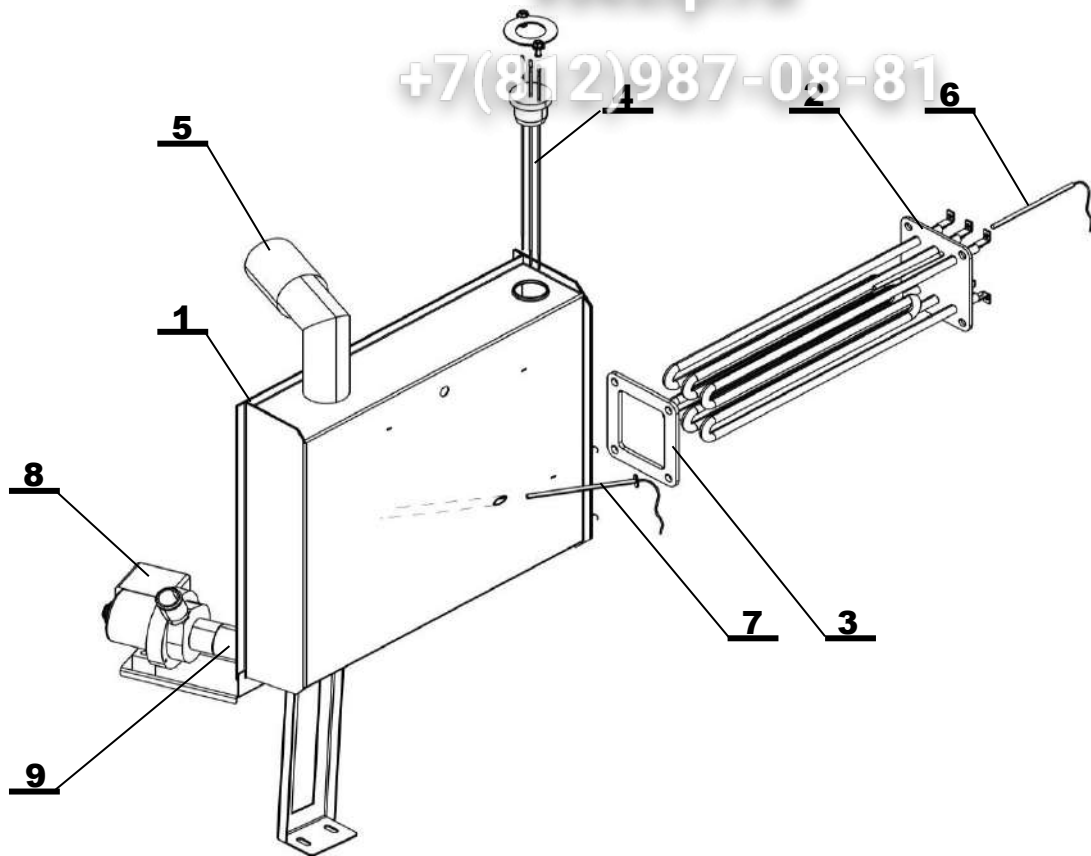
| Position | Code | Name | For type of combi oven | | | |
|----------|-----------|-------------------------------------|------------------------|--------|--------|--------|
| | | | B1011i | B1011b | O1011i | O1011b |
| 1 | EA11-0014 | MOTOR HANNING L9 EB30 | • | • | • | • |
| 2 | AX00-0006 | MOTOR SEAL | • | • | • | • |
| 3 | AX00-0007 | HEATING ELEMENT 1011,2011,1221 16kW | • | • | • | • |
| 4 | AX00-0008 | SEAL | • | • | • | • |
| 5 | AX09-0001 | VENTILATOR FAN \varnothing 320mm | • | • | • | • |

Note:

Зип Общепит

vsezip.ru

+7(812)987-08-81



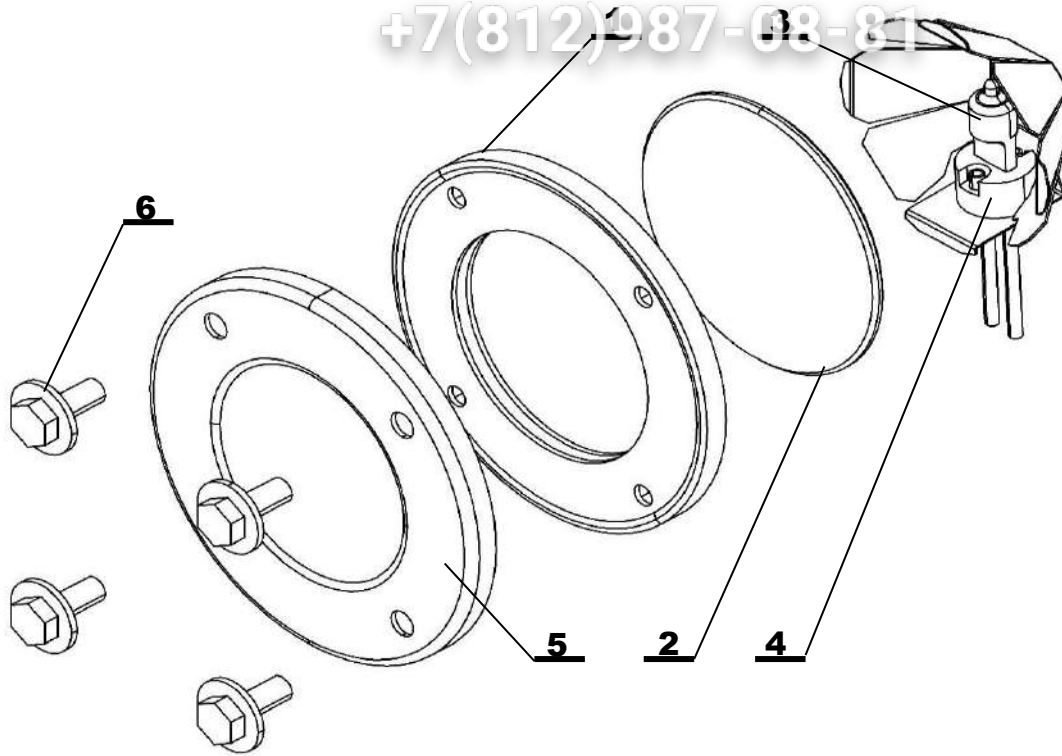
| Position | Code | Name | For type of combi oven | | | |
|----------|-----------|--|------------------------|--------|--------|--------|
| | | | B1011i | B1011b | O1011i | O1011b |
| 1 | AC24-0700 | BOILER 10 VISION | | • | | • |
| 2 | EX24-0008 | BOILER HEATING ELEMENT 12 kW VISION | | • | | • |
| 3 | AX24-0002 | BOILER HEATING ELEMENT SEAL | | • | | • |
| 4 | AC24-0602 | WATER LEVEL SENSOR VISION | | • | | • |
| 5 | ZA10-0500 | SILICON TUBE CONNECTION | | • | | • |
| 6 | EA10-0104 | DRAIN and BOILER TEMP. SENSOR 623, 611, 1011, 1221 | | • | | • |
| 7 | EA04-0011 | THERMAL FUSE BOILER 140 °C | | • | | • |
| 8 | EA12-0001 | PUMP | | • | | • |
| 9 | AA00-0030 | HOSE 70 mm BLACK | | • | | • |

Note:

Зип LIGHT **Общепит**

vsezip.ru

+7(812)987-08-81



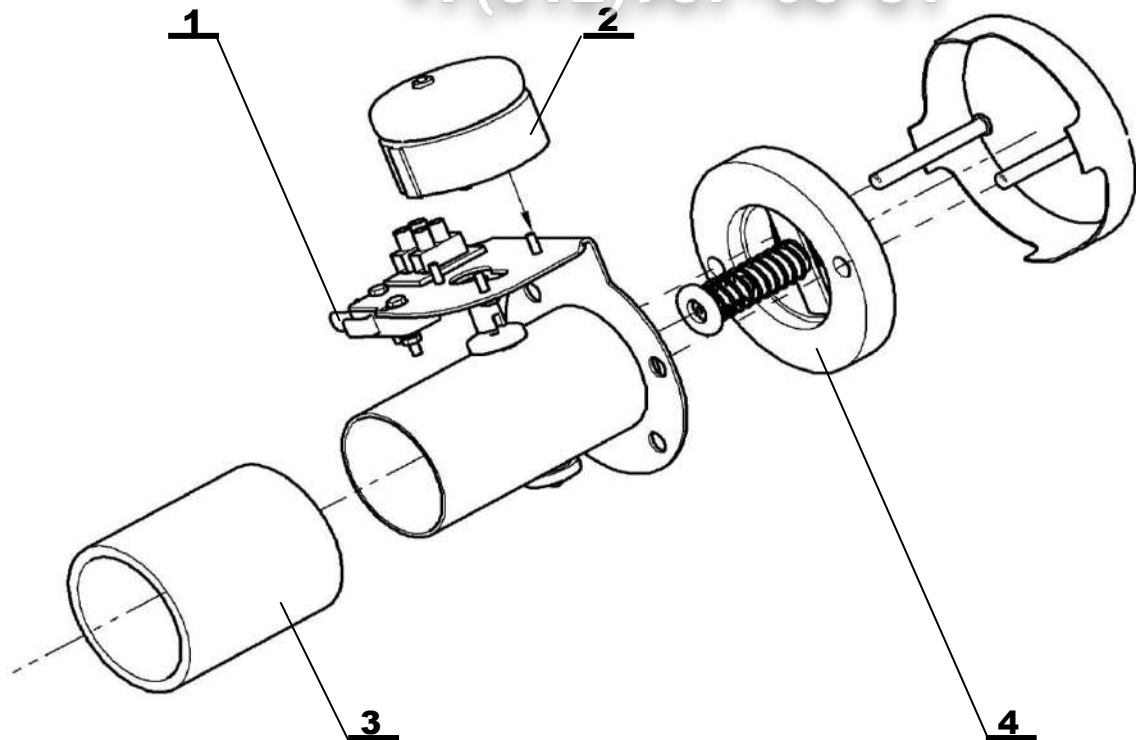
| Position | Code | Name | For type of combi oven | | | |
|----------|-----------|------------------------------|------------------------|--------|--------|--------|
| | | | B1011i | B1011b | O1011i | O1011b |
| 1 | AX07-0006 | LIGHT SEAL VISION - VITON 80 | • | • | • | • |
| 2 | AX07-0004 | GLASS PLATE | • | • | • | • |
| 3 | EA13-0100 | HALOGEN LAMP | • | • | • | • |
| 4 | AC07-0200 | REFLECTOR WITH LAMP HOLDER | • | • | • | • |
| 5 | AP07-0004 | LAMP COVER | • | • | • | • |
| 6 | ZC15-0616 | SCREW M6x16 | • | • | • | • |

Note:

Zip **Общепит**

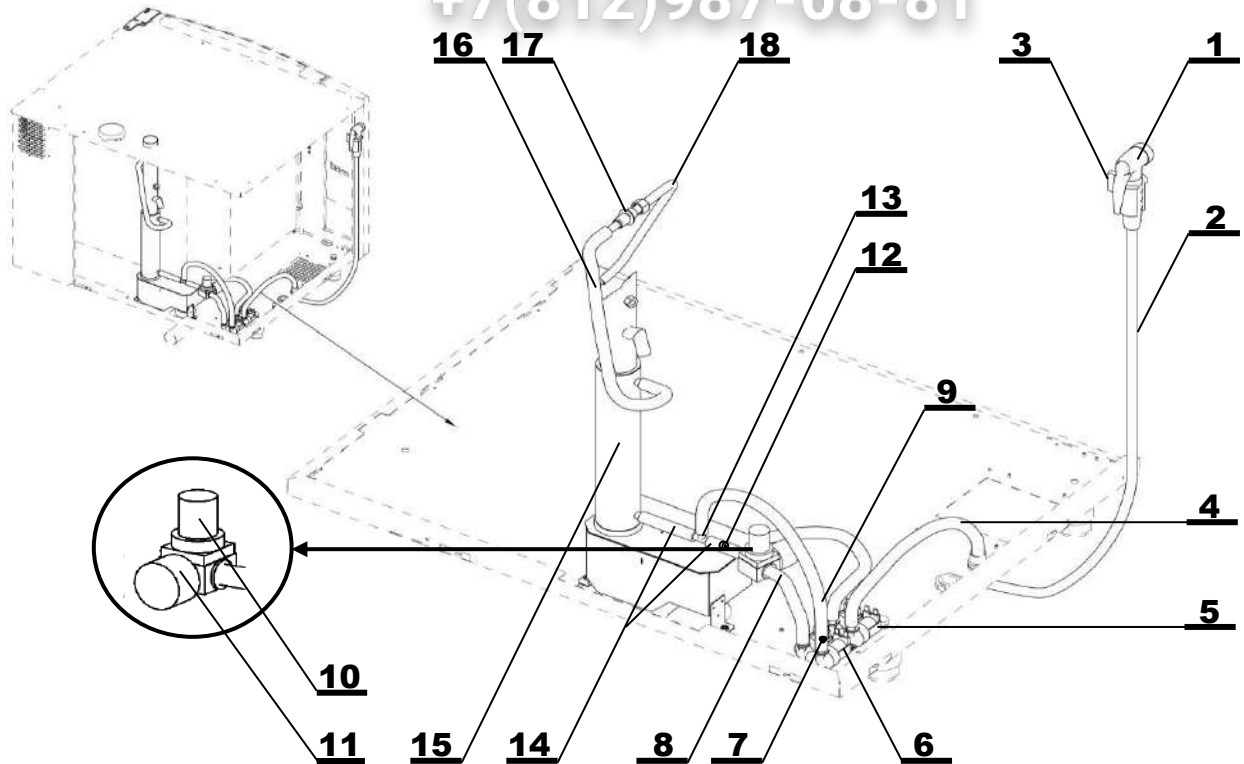
vsezip.ru

+7(812)987-08-81



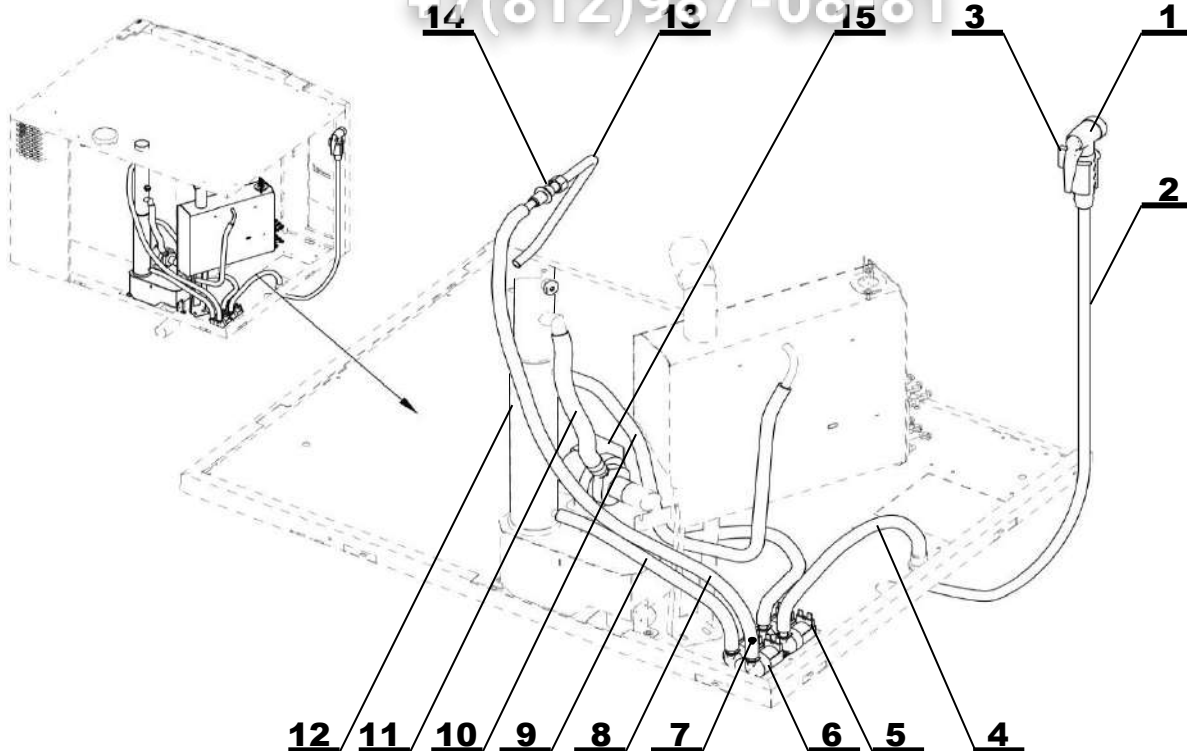
| Position | Code | Name | For type of combi oven | | | |
|----------|-----------|-----------------------------------|------------------------|--------|--------|--------|
| | | | B1011i | B1011b | O1011i | O1011b |
| 1 | EA01-0052 | MIKROSWITCH (until 1.1.2010) | • | • | | |
| 2 | EA11-0012 | MOTOR + SWITCH (since 1. 1. 2010) | • | • | | |
| 2 | EA11-0005 | MOTOR (until 1.1.2010) | • | • | | |
| 3 | AT00-0006 | FLAP VALVE HOSE DA6 | • | • | • | • |
| 4 | AC25-0105 | PLUG | • | • | • | • |
| 1+2+4 | AC25-0100 | FLAP VALVE COMPLETE | • | • | | |

Note:



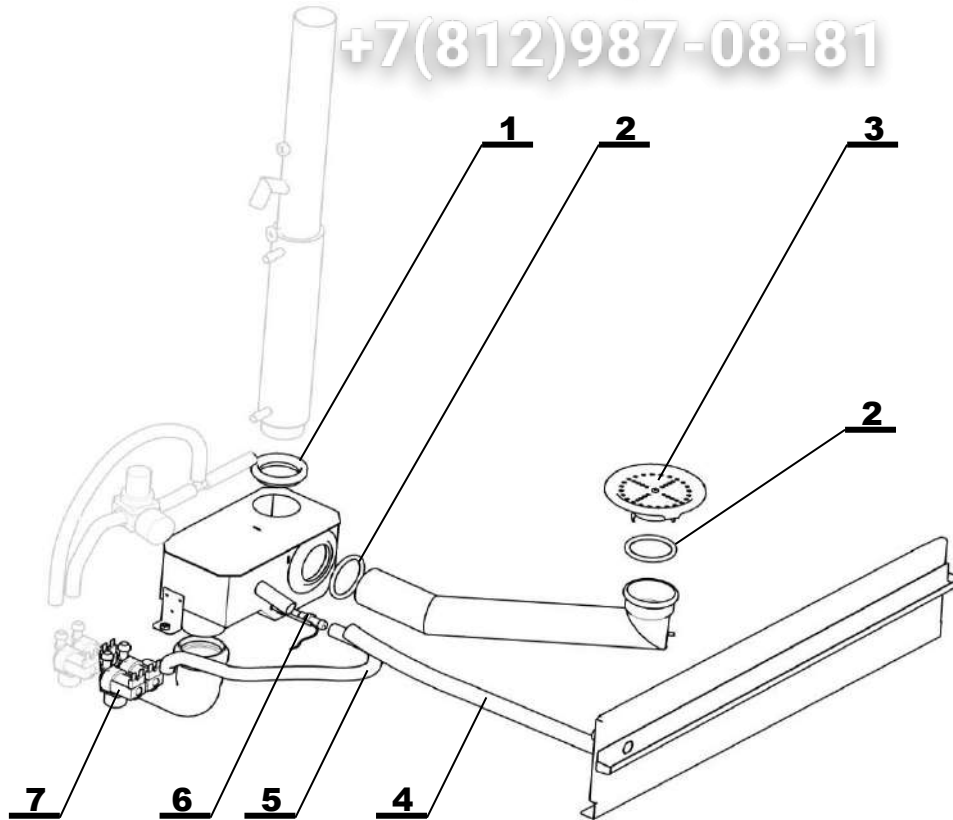
| Position | Code | Name | For type of combi oven | | | |
|----------|-----------|-------------------------------------|------------------------|--------|--------|--------|
| | | | B1011i | B1011b | O1011i | O1011b |
| 1 | ZA15-0100 | SHOWER KLARCO | • | | • | |
| 2 | ZA11-0902 | RUBBER HOSE FOR SHOWER 1,6m | • | | • | |
| 3 | AT00-0002 | SHOWER HOLDER KLARCO | • | | • | |
| 4 | AA26-0100 | HOSE 10x3,6 - 440 | • | | • | |
| 5 | EA12-0050 | DOUBLE SOLENOID VALVE | • | | • | |
| 6 | EA12-0050 | DOUBLE SOLENOID VALVE | | | • | |
| 6 | EA12-0056 | TRIPLE SOLENOID VALVE | • | | | |
| 7 | EA12-0303 | REDUCTION NOZZLE | • | | • | |
| 8 | AA26-0104 | HOSE 10x3,6 - 90 | • | | • | |
| 9 | AA26-0100 | HOSE 10x3,6 - 440 | • | | • | |
| 10 | ZA12-0201 | WATER REDUCTING VALVE | • | | • | |
| 11 | ZA12-0401 | MANOMETER 0-1bar, WIKA | • | | • | |
| 12 | AT00-0056 | NOZZLE 07 | • | | • | |
| 13 | ZA10-0553 | T-FITTING T-TS 10 mm | • | | • | |
| 14 | AA26-0104 | HOSE 10x3,6 - 90 | • | | • | |
| 15 | AC05-2100 | CHIMNEY 1011 Vision - inject | • | | • | |
| 16 | AA26-0100 | HOSE 10x3,6 - 440 | • | | • | |
| 17 | AC00-2500 | BUSHING | • | | • | |
| 18 | AC12-0700 | INJECTION PIPE VISION 611/1011/2011 | • | | • | |

Note:



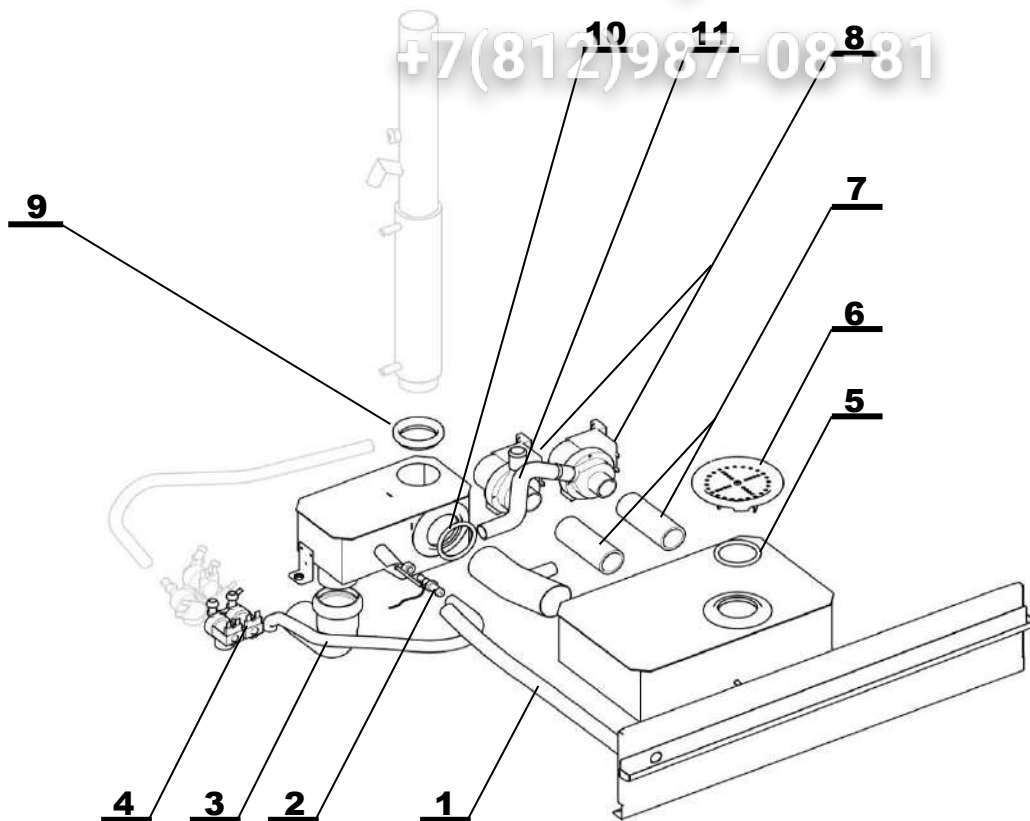
| Position | Code | Name | For type of combi oven | | | |
|----------|-----------|-------------------------------------|------------------------|--------|--------|--------|
| | | | B1011i | B1011b | O1011i | O1011b |
| 1 | ZA15-0100 | SHOWER KLARCO | | • | | • |
| 2 | ZA11-0902 | RUBBER HOSE FOR SHOWER 1,6m | | • | | • |
| 3 | AT00-0002 | SHOWER HOLDER KLARCO | | • | | • |
| 4 | AA26-0100 | HOSE 10x3,6 - 440 | | • | | • |
| 5 | EA12-0050 | DOUBLE SOLENOID VALVE | | • | | • |
| 6 | EA12-0050 | DOUBLE SOLENOID VALVE | | | | • |
| 6 | EA12-0056 | TRIPLE SOLENOID VALVE | | • | | |
| 7 | EA12-0303 | REDUCTION NOZZLE | | • | | • |
| 8 | AA26-0101 | HOSE 10x3,6 - 350 | | • | | • |
| 9 | AT32-0015 | HOSE 10x3,6 - 840 | | • | | • |
| 10 | AA26-0102 | HOSE 10x3,6 - 770 | | • | | • |
| 11 | AA26-0150 | HOSE 16/22 - 230 | | • | | • |
| 12 | AC05-1800 | CHIMNEY 1011 Vision - boiler | | • | | • |
| 13 | AC12-0700 | INJECTION PIPE VISION 611/1011/2011 | | • | | • |
| 14 | AC00-2500 | BUSHING | | • | | • |
| 15 | EA12-0001 | PUMP | | • | | • |

Note:



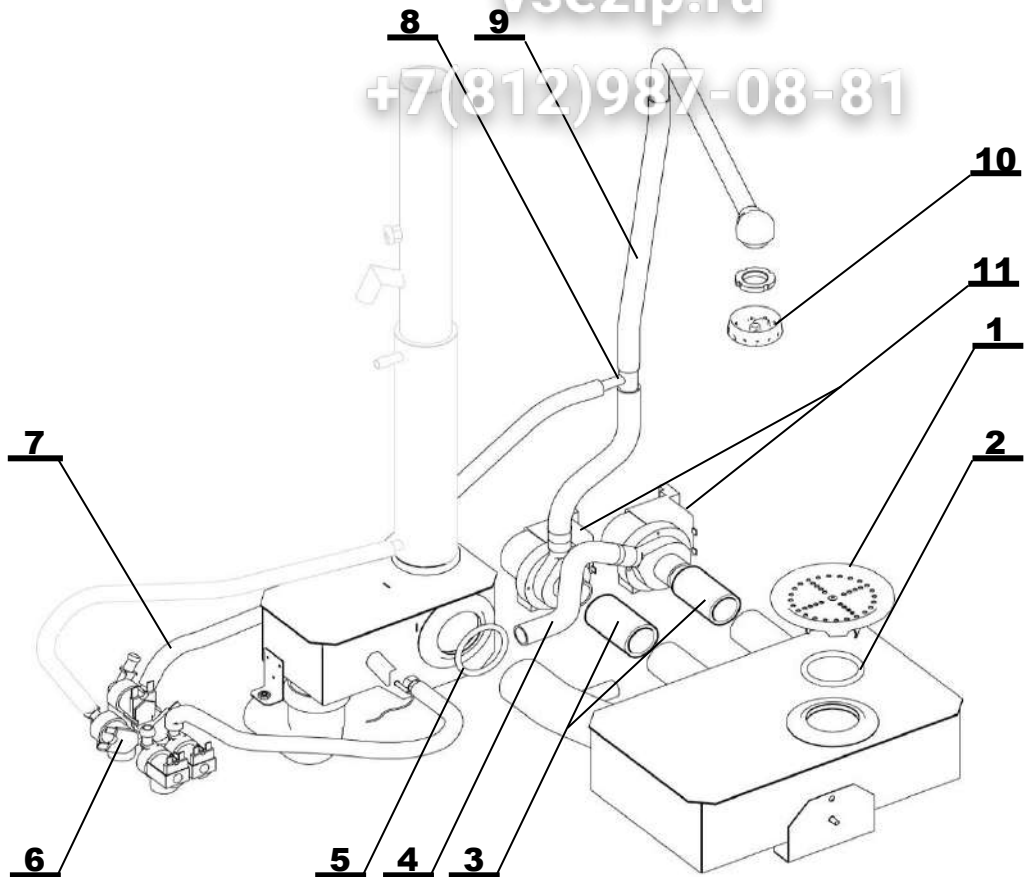
| Position | Code | Name | For type of combi oven | | | |
|----------|-----------|-----------------------|------------------------|--------|--------|--------|
| | | | B1011i | B1011b | O1011i | O1011b |
| 1 | AX04-0002 | SEAL \varnothing 50 | | | • | • |
| 2 | ZA13-1549 | O-RING | | | • | • |
| 3 | AC02-2202 | DRAIN CAP | | | • | • |
| 4 | AA26-0154 | HOSE 16/22 - 600 | | | • | • |
| 5 | AA26-0100 | HOSE 10x3,6 - 440 | | | • | • |
| 6 | AT01-0013 | NOZZLE | | | • | • |
| 7 | EA12-0050 | DOUBLE SOLENOID VALVE | | | • | • |

Note:



| Position | Code | Name | For type of combi oven | | | |
|----------|-----------|-----------------------|------------------------|--------|--------|--------|
| | | | B1011i | B1011b | O1011i | O1011b |
| 1 | AA26-0154 | HOSE 16/22 - 600 | • | • | | |
| 2 | AT01-0013 | NOZZLE | • | • | | |
| 3 | AA26-0100 | HOSE 10x3,6 - 440 | • | • | | |
| 4 | EA12-0050 | DOUBLE SOLENOID VALVE | • | • | | |
| 5 | ZA13-1549 | O-RING | • | • | | |
| 6 | AC02-2202 | DRAIN CAP | • | • | | |
| 7 | AA00-0030 | HOSE 70 mm BLACK | • | • | | |
| 8 | EA12-0001 | PUMP | • | • | | |
| 9 | AX04-0002 | SEAL \varnothing 50 | • | • | | |
| 10 | ZA13-1549 | O-RING | • | • | | |
| 11 | AA26-0153 | HOSE 16/22 - 200 | • | • | | |

Note:



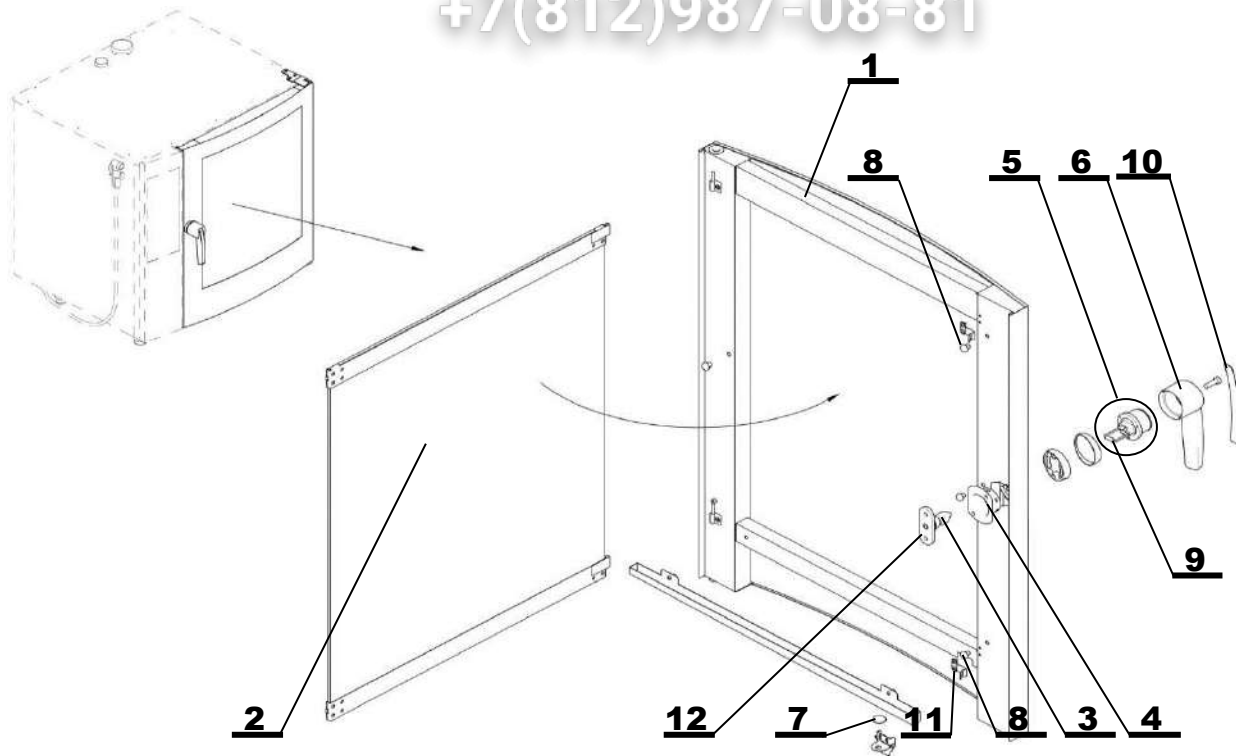
| Position | Code | Name | For type of combi oven | | | |
|----------|-----------|-----------------------|------------------------|--------|--------|--------|
| | | | B1011i | B1011b | O1011i | O1011b |
| 1 | AC02-2202 | DRAIN CAP | • | • | | |
| 2 | ZA13-1549 | O-RING | • | • | | |
| 3 | AA00-0030 | HOSE 70 mm BLACK | • | • | | |
| 4 | AA26-0153 | HOSE 16/22 - 200 | • | • | | |
| 5 | ZA13-1549 | O-RING | • | • | | |
| 6 | EA12-0056 | TRIPLE SOLENOID VALVE | • | • | | |
| 7 | AA26-0102 | HOSE 10x3,6 - 770 | • | • | | |
| 8 | AC32-0400 | T-FITTING | • | • | | |
| 9 | AA26-0152 | HOSE 16/22 - 360 | • | • | | |
| 10 | AA32-0050 | CLEANING NOZZLE | • | • | | |
| 11 | EA12-0001 | PUMP | • | • | | |

Note:

Зип-Общепит

vsezip.ru

+7(812)987-08-81



| Position | Code | Name | For type of combi oven | | | |
|----------|-----------|---------------------------------------|------------------------|--------|--------|--------|
| | | | B1011i | B1011b | O1011i | O1011b |
| 1 | AC03-3200 | DOOR 10 - 07 VISION COMPLETE | • | • | • | • |
| 2 | AC03-3201 | INNER GLASS 10 - 07 VISION | • | • | • | • |
| 3 | ZA20-0907 | LATCH KL-J (M8x0,75) since 1. 1. 2015 | • | • | • | • |
| 4 | AX08-0020 | BOX | • | • | • | • |
| 5 | ZA20-0901 | DOOR MECHANISM 6303-020501 | • | • | • | • |
| 6 | AX08-0021 | HANDLE VISION | • | • | • | • |
| 7 | ZA13-0516 | STOPPER 10 GUZU | • | • | • | • |
| 8 | AX03-0076 | WINDOW STOP | • | • | • | • |
| 9 | AX08-0024 | DOOR HANDLE SPRING | • | • | • | • |
| 10 | AP08-0030 | HANDLE STRIPE | • | • | • | • |
| 11 | AP03-0135 | INNER GLASS CATCH | • | • | • | • |
| 11 | AX03-0089 | INNER GLASS CATCH (SINCE 1.1.2015) | • | • | • | • |
| 12 | AP08-0042 | DOOR LATCH BASE (M8x0,75) | • | • | • | • |

Note:

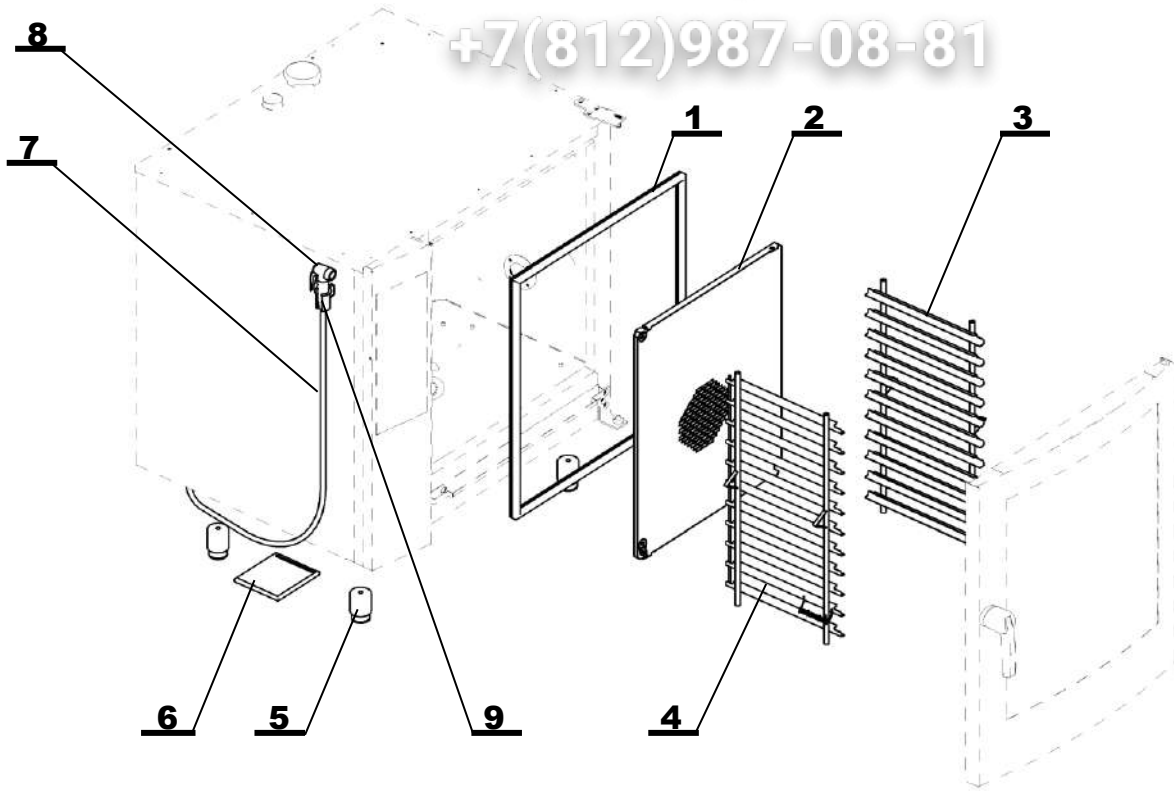
| | | | | | | |
|-----|-----------|---|---|---|---|---|
| 1a | AC03-3400 | DOOR 10 - 07 VISION COMPLETE LEFT | • | • | • | • |
| 2a | AC03-3402 | INNER GLASS 10 - 07 VISION LEFT | • | • | • | • |
| 3a | ZA20-0908 | LATCH KL-D - two steps opening (M8x0,75) since 1. 1. 2015 | • | • | • | • |
| 12a | AP08-0043 | DOOR LATCH BASE (KL-D M8x0,75) - LEFT DOOR | • | • | • | • |
| 5+6 | AC08-0700 | HANDLE 623,611,1011 Vision | • | • | • | • |

Запчасти

ACCESSORIES

vsezip.ru

+7(812)987-08-81



| Position | Code | Name | For type of combi oven | | | |
|----------|-----------|--------------------------------|------------------------|--------|--------|--------|
| | | | B1011i | B1011b | O1011i | O1011b |
| 1 | AX00-0036 | DOOR SEAL 10 VISION | • | • | • | • |
| 2 | AC14-1200 | INNER WALL 10 - VISION | • | • | • | • |
| 3 | AC19-1600 | RACK RIGHT 10 - VISION | • | • | • | • |
| 3a | AC19-1601 | RACK RIGHT 10 - VISION 600X400 | • | • | • | • |
| 4 | AC18-1800 | RACK LEFT 10 - VISION | • | • | • | • |
| 4a | AC18-1801 | RACK LEFT 10 - VISION 600X400 | • | • | • | • |
| 5 | AA00-0026 | FOOT 6, 10 | • | • | • | • |
| 6 | ZA17-0010 | AIR FILTER VISION | • | • | • | • |
| 7 | ZA11-0902 | RUBBER HOSE FOR SHOWER 1,6m | • | • | • | • |
| 8 | ZA15-0100 | SHOWER KLARCO | • | • | • | • |
| 9 | AT00-0002 | SHOWER HOLDER KLARCO | • | • | • | • |

Note:

Зип Общепит

vsezip.ru

+7(812)987-08-81

Зип Общепит



RETIGO s.r.o.
Láň 2310, PS43
756 64 Rožnov pod Radhoštěm
email: service@retigo.com
tel.: +420 571 665 561