

**Зип Общепит**

**DESPIECES DEL SERVICIO TECNICO**

**+7(812)987-08-81**  
**LAVAVAJILLAS - LAVÉVAISSELLE**  
**DISHWASHERS - GESCHIRRSPÜLER**  
**LAVASTOVIGLIE**

**Modelos**

**FI-48      FI-48 B**

**FI-64      FI-64 B**

**DICIEMBRE 2000**

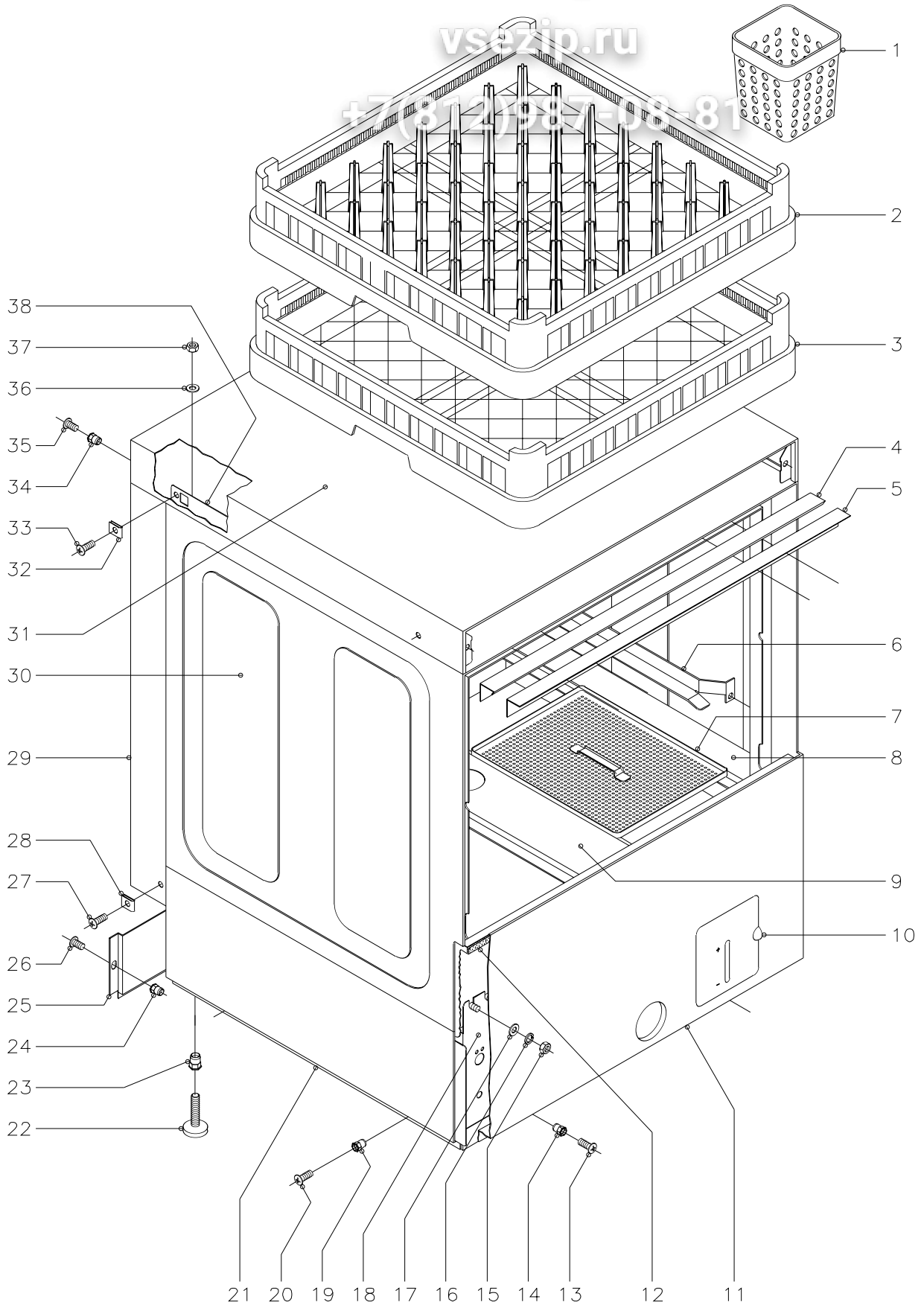


**Fagor Industrial**

Зип Общепит

vsezip.ru

+7(812)987-08-81



N plano  
C-935

Firma

Fecha  
12-00

Aparato  
LAVAVAJILLAS 48;48B;64;64B

Lamina  
1

Fagor Industrial S.Coop.  
O<ate



# Зип Общепит

vsezip.ru

ZONA

+7(812)987-08-81

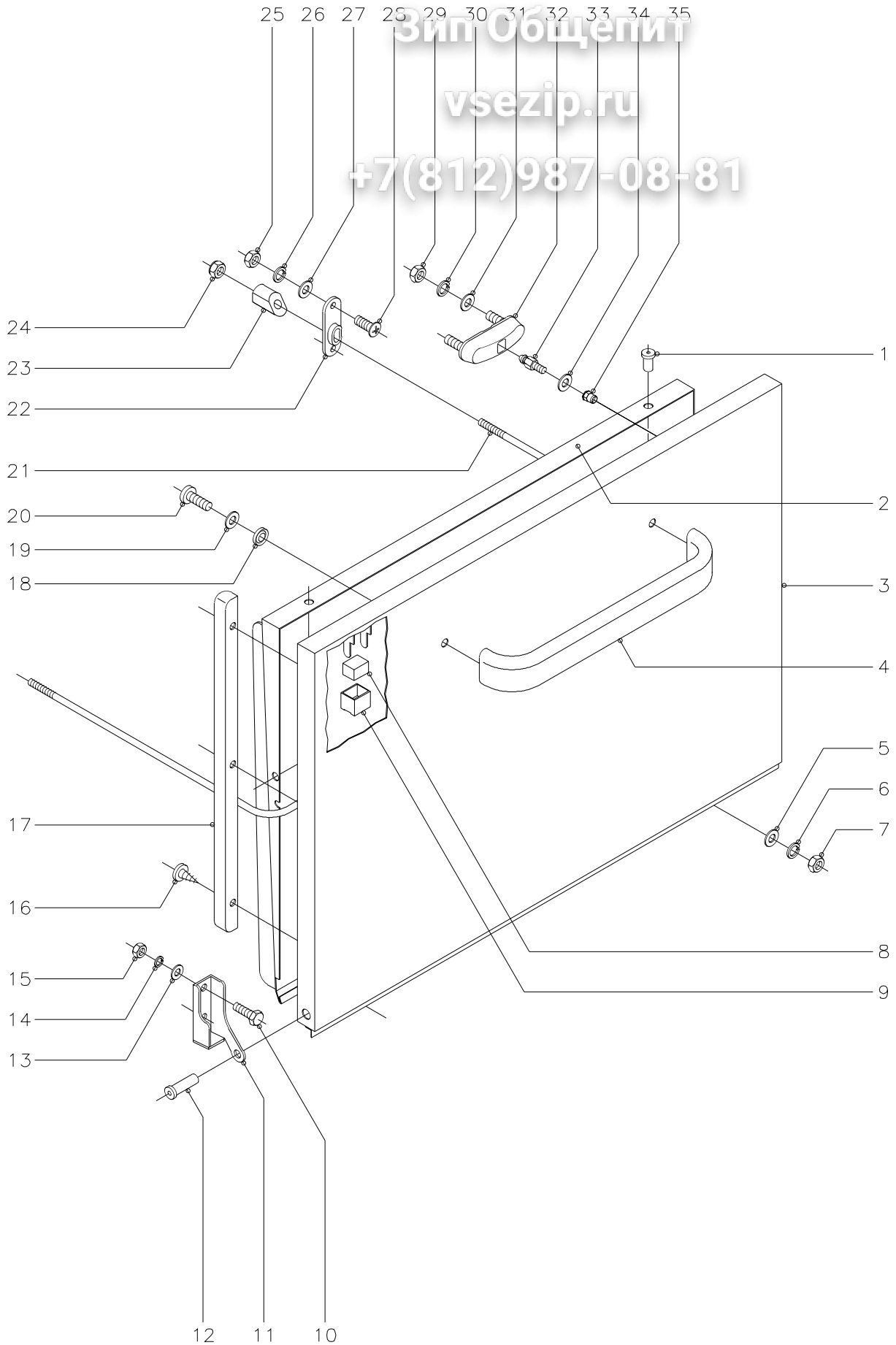
| MOD. |         | LAVAVAJILLAS FRONTAL       | ZONA  | MUEBLE Y CESTILOS |        |       |        |
|------|---------|----------------------------|-------|-------------------|--------|-------|--------|
| ITEM | CODIGO  | DENOMINACION               | TEXTO | FI-48             | FI-48B | FI-64 | FI-64B |
| 1    | Z655314 | Cestillo cubiertos         |       | 4                 | 4      | 4     | 4      |
| 2    | Z655302 | Cestillo platos CP-16/18   |       | 1                 | 1      | 1     | 1      |
| 3    | Z655301 | Cestillo base CT-10        |       | 1                 | 1      | 1     | 1      |
| 4    | Z200315 | Perfil caja                |       | 1                 | 1      | 1     | 1      |
| 5    | Z200309 | Escuadra sujecion perfil   |       | 1                 | 1      | 1     | 1      |
| 6    | Z200305 | Guia cestillo derecha      |       | 1                 | 1      | 1     | 1      |
| s/n  | Z200306 | Guia cestillo izquierda    |       | 1                 | 1      | 1     | 1      |
|      | Q232040 | Arandela plana A-6         |       | 4                 | 4      | 4     | 4      |
|      | Q162040 | Tuerca exagonal M-6        |       | 4                 | 4      | 4     | 4      |
| 7    | Z210801 | Bandeja filtro             |       | 4                 | 4      | 4     | 4      |
| 8    | Z210805 | Soporte derecho bandejas   |       | 1                 | 1      | 1     | 1      |
| s/n  | Z210806 | Soporte izquierdo bandejas |       | 1                 | 1      | 1     | 1      |
| 9    | Z210804 | Soporte central bandejas   |       | 1                 | 1      | 1     | 1      |
|      | Q232040 | Arandela plana A-6         |       | 8                 | 8      | 8     | 8      |
|      | Q162040 | Tuerca exagonal M-6        |       | 8                 | 8      | 8     | 8      |
| 10   | Z212902 | Puerta deposito completa   |       | 1                 | 1      | 1     | 1      |
| s/n  | Z212906 | Eje puerta                 |       | 1                 | 1      | 1     | 1      |
| s/n  | Q372001 | Pasador de aletas Ø2x15    |       | 2                 | 2      | 2     | 2      |
| 11   | Z218611 | Panel frontal              |       | 1                 | -      | 1     | -      |
| 11   | Z228811 | Panel frontal              |       | -                 | 1      | -     | 1      |
| 12   | Z200313 | Perfil goma esponjosa      |       | 1                 | 1      | 1     | 1      |
| 13   | Q152004 | Tornillo aplastado M-5x13  |       | 2                 | 2      | 2     | 2      |
| 14   | Q221342 | Remache exagonal M-5       |       | 2                 | 2      | 2     | 2      |
| 15   | Q162040 | Tuerca exagonal M-6        |       | 8                 | 8      | 8     | 8      |
| 16   | Q262040 | Arandela muelle A-6        |       | 8                 | 8      | 8     | 8      |
| 17   | Q232040 | Arandela plana A-6         |       | 8                 | 8      | 8     | 8      |
| 18   | Z200101 | Armazon completo           |       | 1                 | 1      | 1     | 1      |
| 19   | Q221342 | Remache exagonal M-5       |       | 4                 | 4      | 4     | 4      |
| 20   | Q152004 | Tornillo aplastado M-5x13  |       | 4                 | 4      | 4     | 4      |

| ITEM | CODIGO  | DENOMINACION              | TEXTO | MUEBLE Y CESTILOS |        |       |        |
|------|---------|---------------------------|-------|-------------------|--------|-------|--------|
|      |         |                           |       | FI-48             | FI-48B | FI-64 | FI-64B |
| 21   | Z202903 | Panel lateral izquierdo   |       | 1                 | 1      | 1     | 1      |
| s/n  | Z202902 | Panel lateral derecho     |       | 1                 | 1      | 1     | 1      |
| 22   | Z200105 | Pata regulable            |       | 4                 | 4      | 4     | 4      |
| 23   | Q221345 | Remache exagonal M-10     |       | 4                 | 4      | 4     | 4      |
| 24   | Q221342 | Remache exagonal M-5      |       | 2                 | 2      | 2     | 2      |
| 25   | Z202905 | Panel posterior inferior  |       | 1                 | 1      | 1     | 1      |
| 26   | Q152004 | Tornillo aplastado M-5x13 |       | 2                 | 2      | 2     | 2      |
| 27   | Q152004 | Tornillo aplastado M-5x13 |       | 2                 | 2      | 2     | 2      |
| 28   | Q221012 | Tuerca rapida M-5         |       | 2                 | 2      | 2     | 2      |
| 29   | Z212907 | Panel posterior           |       | 1                 | 1      | 1     | 1      |
| 30   | Z200325 | Caja soldada              |       | 1                 | 1      | 1     | 1      |
| 31   | Z202906 | Tapa                      |       | 1                 | 1      | 1     | 1      |
| 32   | Q221012 | Tuerca rapida M-5         |       | 4                 | 4      | 4     | 4      |
| 33   | Q152004 | Tornillo aplastado M-5x13 |       | 4                 | 4      | 4     | 4      |
| 34   | Q221342 | Remache exagonal M-5      |       | 2                 | 2      | 2     | 2      |
| 35   | Q152004 | Tornillo aplastado M-5x13 |       | 2                 | 2      | 2     | 2      |
| 36   | Q232040 | Arandela plana A-6        |       | 4                 | 4      | 4     | 4      |
| 37   | Q162040 | Tuerca exagonal M-6       |       | 4                 | 4      | 4     | 4      |
| 38   | Z200307 | Escuadra amarre tapa      |       | 2                 | 2      | 2     | 2      |
|      |         |                           |       |                   |        |       |        |
|      |         |                           |       |                   |        |       |        |
|      |         |                           |       |                   |        |       |        |
|      |         |                           |       |                   |        |       |        |
|      |         |                           |       |                   |        |       |        |
|      |         |                           |       |                   |        |       |        |
|      |         |                           |       |                   |        |       |        |
|      |         |                           |       |                   |        |       |        |

Зип Общепит

vsezip.ru

+7(812)987-08-81



N plano  
C-936

Firma

Fecha  
12-00

Aparato  
LAVAVAJILLAS 48;48B;64;64B

Lamina  
2

Fagor Industrial S.Coop.  
O<ate



# Зип Общепит

vsezip.ru

ZONA

+7(812)987-08-81

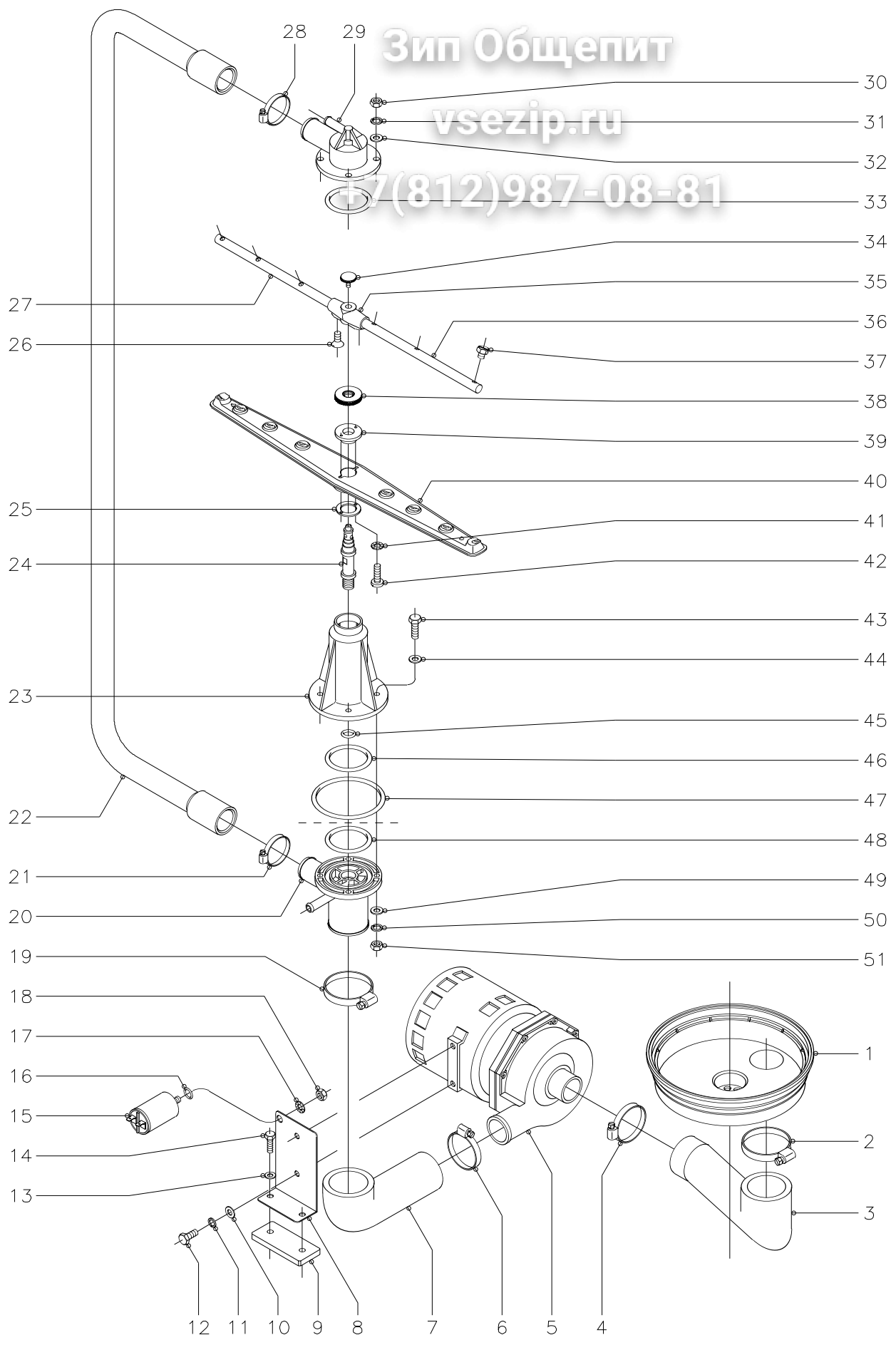
| MOD. |         | LAVAVAJILLAS FRONTAL      | PUERTA |       |        |       |        |
|------|---------|---------------------------|--------|-------|--------|-------|--------|
| ITEM | CODIGO  | DENOMINACION              | TEXTO  | FI-48 | FI-48B | FI-64 | FI-64B |
| 1    | Q412000 | Remache tubular Ø4x8      |        | 4     | 4      | 4     | 4      |
| 2    | Z200545 | Contrapuerta soldada      |        | 1     | 1      | 1     | 1      |
| 3    | Z200541 | Puerta soldada            |        | 1     | 1      | 1     | 1      |
| 4    | Z200512 | Asa puerta                |        | 1     | 1      | 1     | 1      |
| 5    | Q232030 | Arandela plana A-5        |        | 2     | 2      | 2     | 2      |
| 6    | Q262030 | Arandela muelle A-5       |        | 2     | 2      | 2     | 2      |
| 7    | Q162030 | Tuerca exagonal M-5       |        | 2     | 2      | 2     | 2      |
| 8    | Z200506 | Iman                      |        | 1     | 1      | 1     | 1      |
| 9    | Z200507 | Protector iman            |        | 1     | 1      | 1     | 1      |
| 10   | Q012042 | Tornillo exagonal M-6x15  |        | 4     | 4      | 4     | 4      |
| 11   | Z400514 | Bisagra izquierda         |        | 1     | 1      | 1     | 1      |
| s/n  | Z400515 | Bisagra derecha           |        | 1     | 1      | 1     | 1      |
| 12   | Z400516 | Eje puerta                |        | 2     | 2      | 2     | 2      |
| 13   | Q232040 | Arandela plana A-6        |        | 4     | 4      | 4     | 4      |
| 14   | Q262040 | Arandela muelle A-6       |        | 4     | 4      | 4     | 4      |
| 15   | Q162040 | Tuerca exagonal M-6       |        | 4     | 4      | 4     | 4      |
| 16   | Q082005 | Tornillo chapa 4,2x13     |        | 6     | 6      | 6     | 6      |
| 17   | Z200524 | Marco puerta              |        | 2     | 2      | 2     | 2      |
| 18   | Q308002 | Arandela dubo A-6         |        | 2     | 2      | 2     | 2      |
| 19   | Q232040 | Arandela plana A-6        |        | 2     | 2      | 2     | 2      |
| 20   | Q032041 | Tornillo alomado M-6x10   |        | 2     | 2      | 2     | 2      |
| 21   | Z200521 | Varilla tensor            |        | 1     | 1      | 1     | 1      |
| 22   | Z200310 | Soporte tensor            |        | 2     | 2      | 2     | 2      |
| 23   | Z200522 | Tensor de puerta          |        | 2     | 2      | 2     | 2      |
| 24   | Q222012 | Tuerca autoblocante M-6   |        | 2     | 2      | 2     | 2      |
| 25   | Q162030 | Tuerca exagonal M-5       |        | 4     | 4      | 4     | 4      |
| 26   | Q262030 | Arandela muelle A-5       |        | 4     | 4      | 4     | 4      |
| 27   | Q232030 | Arandela plana A-5        |        | 4     | 4      | 4     | 4      |
| 28   | Q152004 | Tornillo aplastado M-5x13 |        | 4     | 4      | 4     | 4      |

| MOD. |         | LAVAVAJILLAS FRONTAL    | ZONA  | PUERTA |        |       |        |
|------|---------|-------------------------|-------|--------|--------|-------|--------|
| ITEM | CODIGO  | DENOMINACION            | TEXTO | FI-48  | FI-48B | FI-64 | FI-64B |
| 29   | Q222012 | Tuerca autoblocante M-6 |       | 4      | 4      | 4     | 4      |
| 30   | Q262040 | Arandela muelle A-6     |       | 4      | 4      | 4     | 4      |
| 31   | Q232040 | Arandela plana A-6      |       | 4      | 4      | 4     | 4      |
| 32   | Z200607 | Conjunto cierre puerta  |       | 2      | 2      | 2     | 2      |
| 33   | Z200601 | Enganche cierre         |       | 2      | 2      | 2     | 2      |
| 34   | Q232030 | Arandela plana A-5      |       | 2      | 2      | 2     | 2      |
| 35   | Q222011 | Remache exagonal M-5    |       | 2      | 2      | 2     | 2      |
|      |         |                         |       |        |        |       |        |
|      |         |                         |       |        |        |       |        |
|      |         |                         |       |        |        |       |        |
|      |         |                         |       |        |        |       |        |
|      |         |                         |       |        |        |       |        |
|      |         |                         |       |        |        |       |        |
|      |         |                         |       |        |        |       |        |
|      |         |                         |       |        |        |       |        |
|      |         |                         |       |        |        |       |        |
|      |         |                         |       |        |        |       |        |
|      |         |                         |       |        |        |       |        |
|      |         |                         |       |        |        |       |        |
|      |         |                         |       |        |        |       |        |
|      |         |                         |       |        |        |       |        |
|      |         |                         |       |        |        |       |        |
|      |         |                         |       |        |        |       |        |
|      |         |                         |       |        |        |       |        |
|      |         |                         |       |        |        |       |        |
|      |         |                         |       |        |        |       |        |
|      |         |                         |       |        |        |       |        |

Зип Общепит

vsezip.ru

+7(812)987-08-81



|                  |           |                |                                       |             |  |
|------------------|-----------|----------------|---------------------------------------|-------------|--|
| N plano<br>C-937 | Firma<br> | Fecha<br>12-00 | Aparato<br>LAVAVAJILLAS 48;48B;64;64B | Lamina<br>3 | Fagor Industrial S.Coop. <b>FAGOR</b><br>D<ate |
|------------------|-----------|----------------|---------------------------------------|-------------|--|



| MOD. | LAVAVAJILLAS FRONTAL |                                   | ZONA  | PARTE FUNCIONAL DE LAVADO |        |       |        |
|------|----------------------|-----------------------------------|-------|---------------------------|--------|-------|--------|
| ITEM | CODIGO               | DENOMINACION                      | TEXTO | FI-48                     | FI-48B | FI-64 | FI-64B |
| 1    | Z200906              | Cubeta                            |       | 1                         | 1      | 1     | 1      |
| 2    | Q881324              | Abrazadera 50 - 70                |       | 1                         | 1      | 1     | 1      |
| 3    | Z200904              | Codo aspiracion                   |       | 1                         | 1      | 1     | 1      |
| 4    | Q881307              | Abrazadera 40 - 60                |       | 1                         | 1      | 1     | 1      |
| 5    | Z201011              | Bomba de lavado ( 230 V., 50 Hz.) |       | 1                         | 1      | 1     | 1      |
| 5    | Z203511              | Bomba de lavado ( 230 V., 60 Hz.) |       | 1                         | 1      | 1     | 1      |
|      | Z201081              | Conjunto junta y reten            |       | 1                         | 1      | 1     | 1      |
|      | Z201082              | Turbina 50 Hz. ( Ø 88 mm.)        |       | 1                         | 1      | 1     | 1      |
|      | Z203571              | Turbina 60 Hz. ( Ø 77 mm.)        |       | 1                         | 1      | 1     | 1      |
| 6    | Q881307              | Abrazadera 40 - 60                |       | 1                         | 1      | 1     | 1      |
| 7    | Z200905              | Codo impulsion                    |       | 1                         | 1      | 1     | 1      |
| 8    | Z201002              | Soporte motobomba                 |       | 1                         | 1      | 1     | 1      |
| 9    | Z201003              | Base bomba lavado                 |       | 1                         | 1      | 1     | 1      |
| 10   | Q232040              | Arandela plana A-6                |       | 2                         | 2      | 2     | 2      |
| 11   | Q262040              | Arandela muelle A-6               |       | 2                         | 2      | 2     | 2      |
| 12   | Q012041              | Tornillo exagonal M-6x10          |       | 2                         | 2      | 2     | 2      |
| 13   | Q232030              | Arandela plana A-5                |       | 2                         | 2      | 2     | 2      |
| 14   | Q012033              | Tornillo exagonal M-5x20          |       | 2                         | 2      | 2     | 2      |
| 15   | V321300              | Condensador 10 mF.                |       | 1                         | 1      | 1     | 1      |
| 16   | Q307048              | Junta torica Ø16,18xØ9,12xØ3,53   |       | 1                         | 1      | 1     | 1      |
| 17   | Q242050              | Arandela abanico A-8              |       | 1                         | 1      | 1     | 1      |
| 18   | Q162050              | Tuerca exagonal M-8               |       | 1                         | 1      | 1     | 1      |
| 19   | Q881324              | Abrazadera 50 - 70                |       | 1                         | 1      | 1     | 1      |
| 20   | Z200703              | Pasamuros                         |       | 1                         | 1      | 1     | 1      |
| 21   | Q881305              | Abrazadera 25 - 40                |       | 1                         | 1      | 1     | 1      |
| 22   | Z200706              | Arbol de lavado                   |       | 1                         | 1      | 1     | 1      |
| 23   | Z200701              | Soporte distribuidor inferior     |       | 1                         | 1      | 1     | 1      |
| 24   | Z200704              | Eje central                       |       | 2                         | 2      | 2     | 2      |
| 25   | Z650711              | Amarre enganche distribuidor      |       | 2                         | 2      | 2     | 2      |

# Зип Общепит

vsezip.ru

ZONA

PARTE FUNCIONAL DE LAVADO

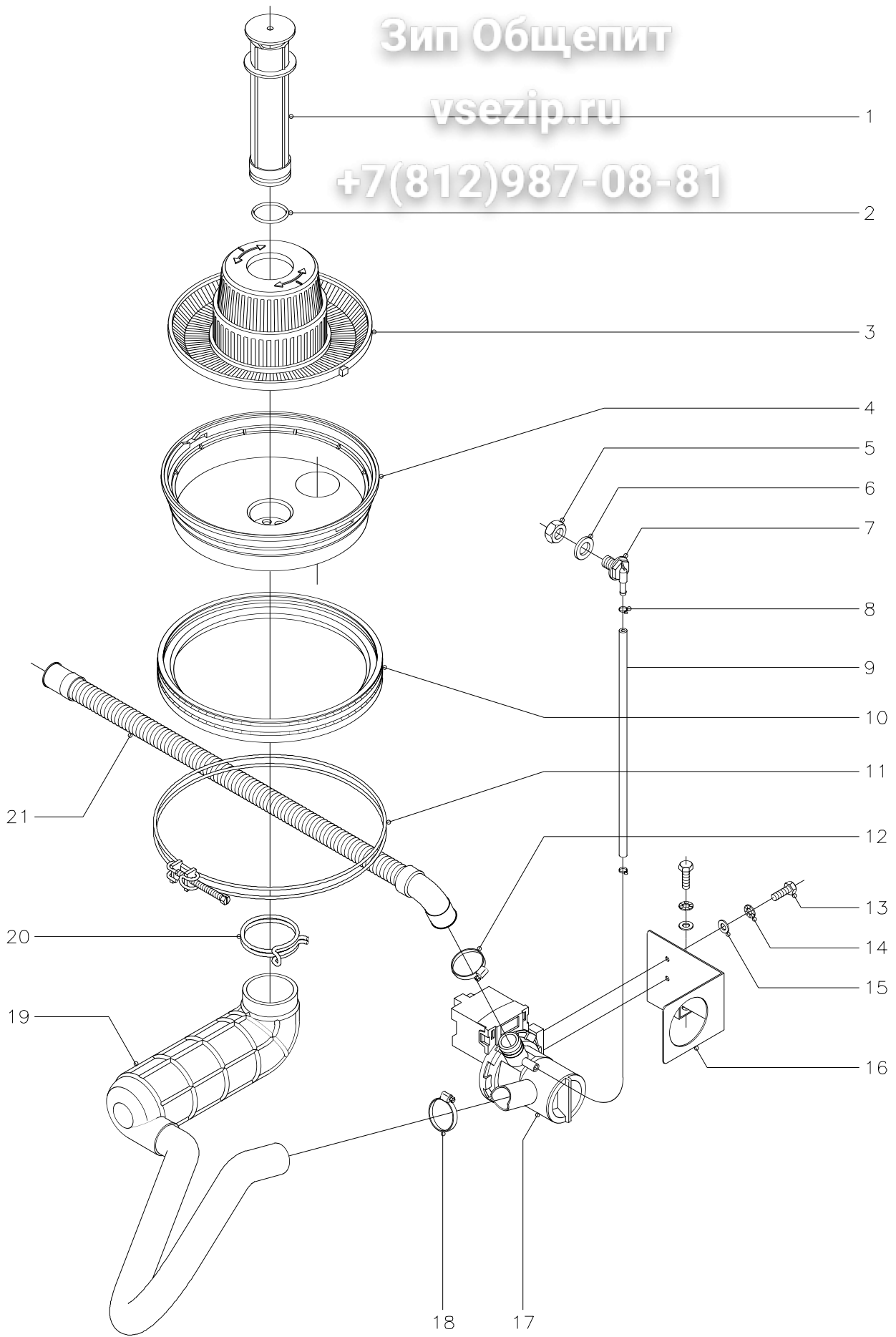
+7(812)987-08-81

| MOD. |         | LAVAVAJILLAS FRONTAL             |       |       |        |       |        |  |
|------|---------|----------------------------------|-------|-------|--------|-------|--------|--|
| ITEM | CODIGO  | DENOMINACION                     | TEXTO | FI-48 | FI-48B | FI-64 | FI-64B |  |
| 26   | Q152024 | Tornillo avellanado M-4x8        |       | 4     | 4      | 4     | 4      |  |
| 27   | Z201902 | Rama aclarado izquierda          |       | 2     | 2      | 2     | 2      |  |
| 28   | Q881305 | Abrazadera 25 - 40               |       | 1     | 1      | 1     | 1      |  |
| 29   | Z200707 | Soporte distribuidor superior    |       | 1     | 1      | 1     | 1      |  |
| 30   | Q162040 | Tuerca exagonal M-6              |       | 4     | 4      | 4     | 4      |  |
| 31   | Q262040 | Arandela muelle A-6              |       | 4     | 4      | 4     | 4      |  |
| 32   | Q232040 | Arandela plana A-6               |       | 4     | 4      | 4     | 4      |  |
| 33   | Q307052 | Junta torica Ø60,83xØ50,17xØ5,33 |       | 1     | 1      | 1     | 1      |  |
| 34   | Q152016 | Tornillo especial M-5x0,8        |       | 2     | 2      | 2     | 2      |  |
| 35   | Z201903 | Soporte ramas aclarado           |       | 2     | 2      | 2     | 2      |  |
| 36   | Z201901 | Rama aclarado derecha            |       | 2     | 2      | 2     | 2      |  |
| 37   | Z211903 | Tobera aclarado                  |       | 12    | 12     | 12    | 12     |  |
| 38   | Z200705 | Tuerca especial M-14x1           |       | 2     | 2      | 2     | 2      |  |
| 39   | Z650704 | Enganche distribuidor            |       | 2     | 2      | 2     | 2      |  |
| 40   | Z650716 | Distribuidor montado             |       | 2     | 2      | 2     | 2      |  |
| 41   | Q242010 | Arandela abanico A-3             |       | 4     | 4      | 4     | 4      |  |
| 42   | Q152015 | Tornillo alomado M-3x6           |       | 4     | 4      | 4     | 4      |  |
| 43   | Q012046 | Tornillo exagonal M-6x40         |       | 4     | 4      | 4     | 4      |  |
| 44   | Q306050 | Arandela fibra roja Ø11xØ6,2x1,5 |       | 4     | 4      | 4     | 4      |  |
| 45   | Q307050 | Junta torica Ø19,18xØ13,94xØ2,62 |       | 1     | 1      | 1     | 1      |  |
| 46   | Q307052 | Junta torica Ø60,83xØ50,17xØ5,33 |       | 1     | 1      | 1     | 1      |  |
| 47   | Q307049 | Junta torica Ø95,75xØ85,09xØ5,33 |       | 1     | 1      | 1     | 1      |  |
| 48   | Q307052 | Junta torica Ø60,83xØ50,17xØ5,33 |       | 1     | 1      | 1     | 1      |  |
| 49   | Q232040 | Arandela plana A-6               |       | 4     | 4      | 4     | 4      |  |
| 50   | Q262040 | Arandela muelle A-6              |       | 4     | 4      | 4     | 4      |  |
| 51   | Q162040 | Tuerca exagonal M-6              |       | 4     | 4      | 4     | 4      |  |
|      |         |                                  |       |       |        |       |        |  |
|      |         |                                  |       |       |        |       |        |  |
|      |         |                                  |       |       |        |       |        |  |

Зип Общепит

vsezip.ru

+7(812)987-08-81



|                  |           |                |                                       |             |                                       |
|------------------|-----------|----------------|---------------------------------------|-------------|---------------------------------------|
| N plano<br>C-938 | Firma<br> | Fecha<br>12-00 | Aparato<br>LAVAVAJILLAS FI-48B;FI-64B | Lamina<br>4 | Fagor Industrial S.Coop. <b>FAGOR</b> |
|------------------|-----------|----------------|---------------------------------------|-------------|---------------------------------------|

# Зип Оффепт

vsezip.ru

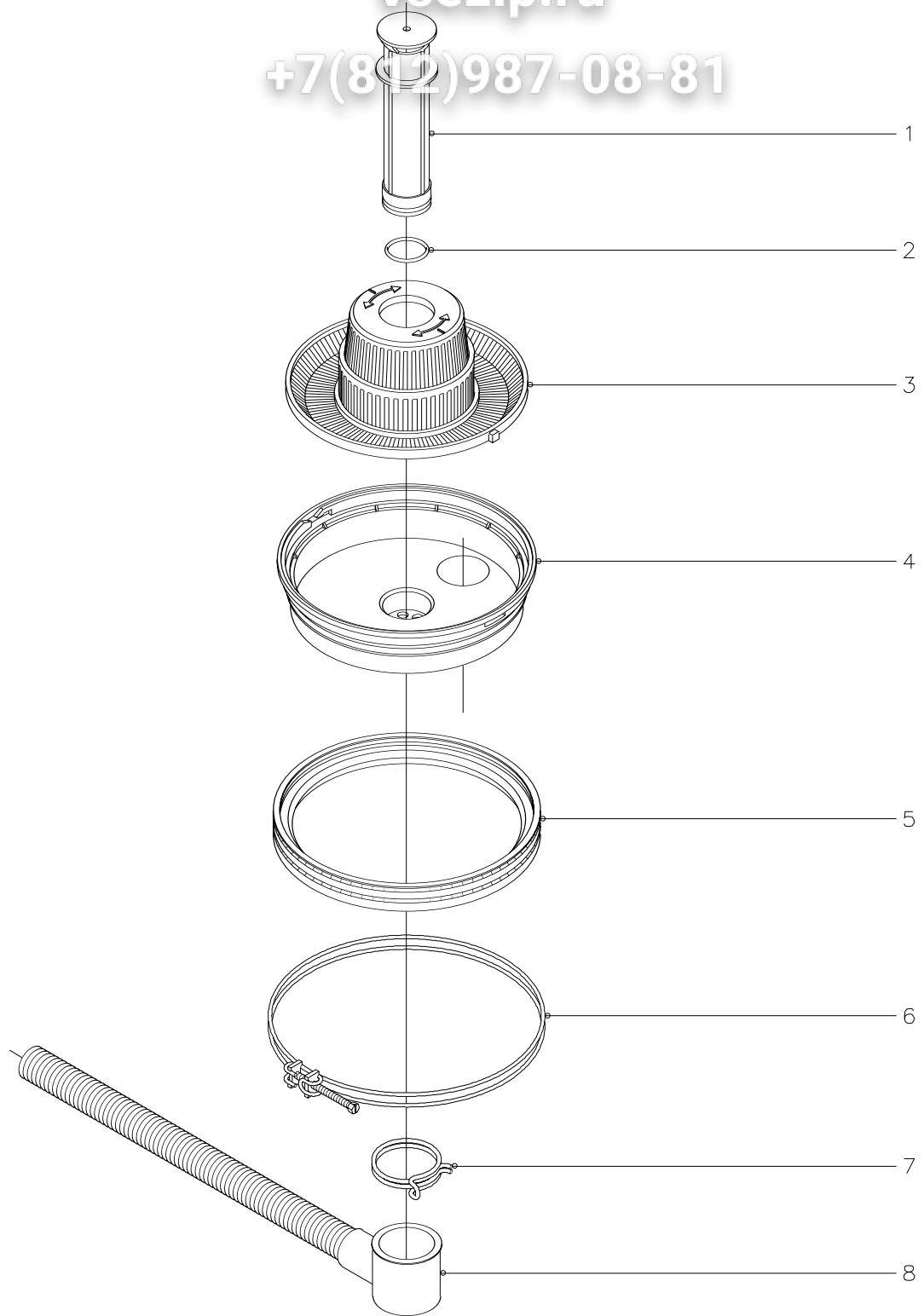
+7(812)987-08-81

| MOD. |         | LAVAVAJILLAS FRONTAL             |       | ZONA  | PARTE FUNCIONAL DESAGÜE ( CON BOM |       |        |  |
|------|---------|----------------------------------|-------|-------|-----------------------------------|-------|--------|--|
| ITEM | CODIGO  | DENOMINACION                     | TEXTO | FI-48 | FI-48B                            | FI-64 | FI-64B |  |
| 1    | Z200909 | Aliviadero                       |       | -     | 1                                 | -     | 1      |  |
| 2    | Q307051 | Junta torica Ø41,41xØ36,17xØ2,62 |       | -     | 1                                 | -     | 1      |  |
| 3    | Z200901 | Filtro aspiracion                |       | -     | 1                                 | -     | 1      |  |
| 4    | Z200906 | Cubeta                           |       | -     | 1                                 | -     | 1      |  |
| 5    | Q162070 | Tuerca exagonal M-12             |       | -     | 1                                 | -     | 1      |  |
| 6    | Q307031 | Arandela junta Ø24xØ14x3         |       | -     | 1                                 | -     | 1      |  |
| 7    | Z230902 | Pasamuros                        |       | -     | 1                                 | -     | 1      |  |
| 8    | P102154 | Brida elastica                   |       | -     | 2                                 | -     | 2      |  |
| 9    | 3702400 | Conducto aireacion Ø8xØ4x230     |       | -     | 1                                 | -     | 1      |  |
| 10   | Z200907 | Junta cubeta                     |       | -     | 1                                 | -     | 1      |  |
| 11   | Z200908 | Abrazadera cubeta                |       | -     | 1                                 | -     | 1      |  |
| 12   | Q881305 | Abrazadera 25 - 40               |       | -     | 1                                 | -     | 1      |  |
| 13   | Q012031 | Tornillo exagonal M-5x10         |       | -     | 4                                 | -     | 4      |  |
| 14   | Q242030 | Arandela abanico A-5             |       | -     | 4                                 | -     | 4      |  |
| 15   | Q232030 | Arandela plana A-5               |       | -     | 4                                 | -     | 4      |  |
| 16   | Z220904 | Soporte bomba desagüe            |       | -     | 1                                 | -     | 1      |  |
| 17   | Z220901 | Bomba desagüe ( 50 Hz.)          |       | -     | 1                                 | -     | 1      |  |
| 17   | Z223501 | Bomba desagüe ( 60 Hz.)          |       | -     | 1                                 | -     | 1      |  |
| 18   | Q881305 | Abrazadera 25 - 40               |       | -     | 1                                 | -     | 1      |  |
| 19   | Z220902 | Acumulador                       |       | -     | 1                                 | -     | 1      |  |
| 20   | Q901308 | Abrazadera elastica 56 - 58,8    |       | -     | 1                                 | -     | 1      |  |
| 21   | Z220903 | Manguera de desagüe              |       | -     | 1                                 | -     | 1      |  |
|      |         |                                  |       |       |                                   |       |        |  |
|      |         |                                  |       |       |                                   |       |        |  |
|      |         |                                  |       |       |                                   |       |        |  |
|      |         |                                  |       |       |                                   |       |        |  |
|      |         |                                  |       |       |                                   |       |        |  |
|      |         |                                  |       |       |                                   |       |        |  |
|      |         |                                  |       |       |                                   |       |        |  |
|      |         |                                  |       |       |                                   |       |        |  |
|      |         |                                  |       |       |                                   |       |        |  |
|      |         |                                  |       |       |                                   |       |        |  |

Зип Общепит

vsezip.ru

+7(812)987-08-81



N plano

C-939

Firma

Fecha

12-00

Aparato

LAVAVAJILLAS FI-48;FI-64

Lamina

5

Fagor Industrial S.Coop.  
Olate

**FAGOR**

# Зип Общепит

vsezip.ru

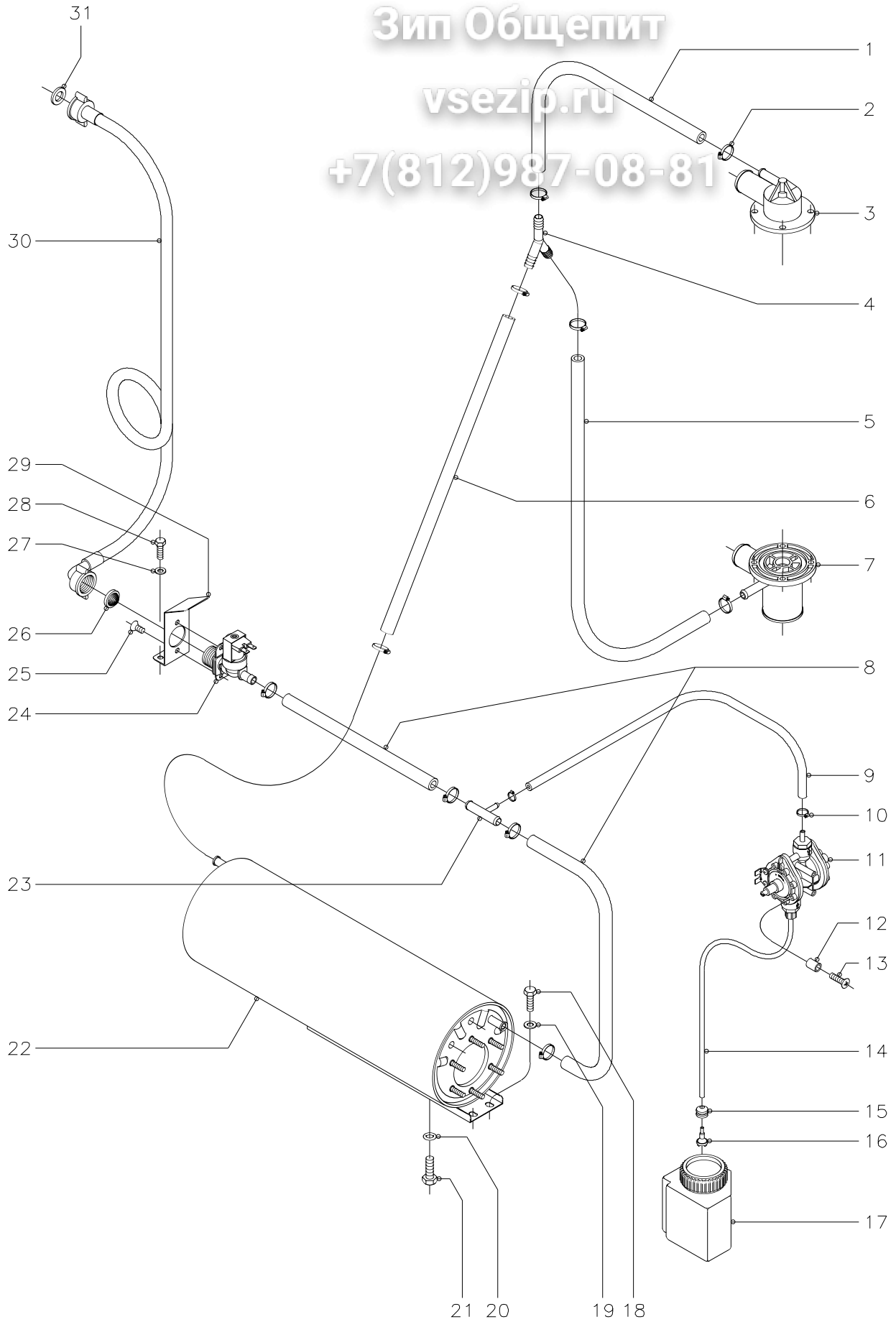
+7(812)987-08-81

| MOD. |         | LAVAVAJILLAS FRONTAL             |       | ZONA  | PARTE FUNCIONAL DESAGÜE ( POR GRAVI |       |        |  |
|------|---------|----------------------------------|-------|-------|-------------------------------------|-------|--------|--|
| ITEM | CODIGO  | DENOMINACION                     | TEXTO | FI-48 | FI-48B                              | FI-64 | FI-64B |  |
| 1    | Z200909 | Aliviadero                       |       | 1     | -                                   | 1     | -      |  |
| 2    | Q307051 | Junta torica Ø41,41xØ36,17xØ2,62 |       | 1     | -                                   | 1     | -      |  |
| 3    | Z200901 | Filtro aspiracion                |       | 1     | -                                   | 1     | -      |  |
| 4    | Z200906 | Cubeta                           |       | 1     | -                                   | 1     | -      |  |
| 5    | Z200907 | Junta cubeta                     |       | 1     | -                                   | 1     | -      |  |
| 6    | Z200908 | Abrazadera cubeta                |       | 1     | -                                   | 1     | -      |  |
| 7    | Q901308 | Abrazadera elastica 56 - 58,8    |       | 1     | -                                   | 1     | -      |  |
| 8    | Z200910 | Manguera de desague              |       | 1     | -                                   | 1     | -      |  |
|      |         |                                  |       |       |                                     |       |        |  |
|      |         |                                  |       |       |                                     |       |        |  |
|      |         |                                  |       |       |                                     |       |        |  |
|      |         |                                  |       |       |                                     |       |        |  |
|      |         |                                  |       |       |                                     |       |        |  |
|      |         |                                  |       |       |                                     |       |        |  |
|      |         |                                  |       |       |                                     |       |        |  |
|      |         |                                  |       |       |                                     |       |        |  |
|      |         |                                  |       |       |                                     |       |        |  |
|      |         |                                  |       |       |                                     |       |        |  |
|      |         |                                  |       |       |                                     |       |        |  |
|      |         |                                  |       |       |                                     |       |        |  |
|      |         |                                  |       |       |                                     |       |        |  |
|      |         |                                  |       |       |                                     |       |        |  |
|      |         |                                  |       |       |                                     |       |        |  |
|      |         |                                  |       |       |                                     |       |        |  |
|      |         |                                  |       |       |                                     |       |        |  |
|      |         |                                  |       |       |                                     |       |        |  |
|      |         |                                  |       |       |                                     |       |        |  |

Зип Общепит

vsezip.ru

+7(812)987-08-81



N plano  
C-940

Firma  
*[Signature]*

Fecha  
12-00

Aparato  
LAVAVAJILLAS 48;48B;64;64B

Lamina  
6

Fagor Industrial S.Coop.  
Ocate



# Зип Общепит

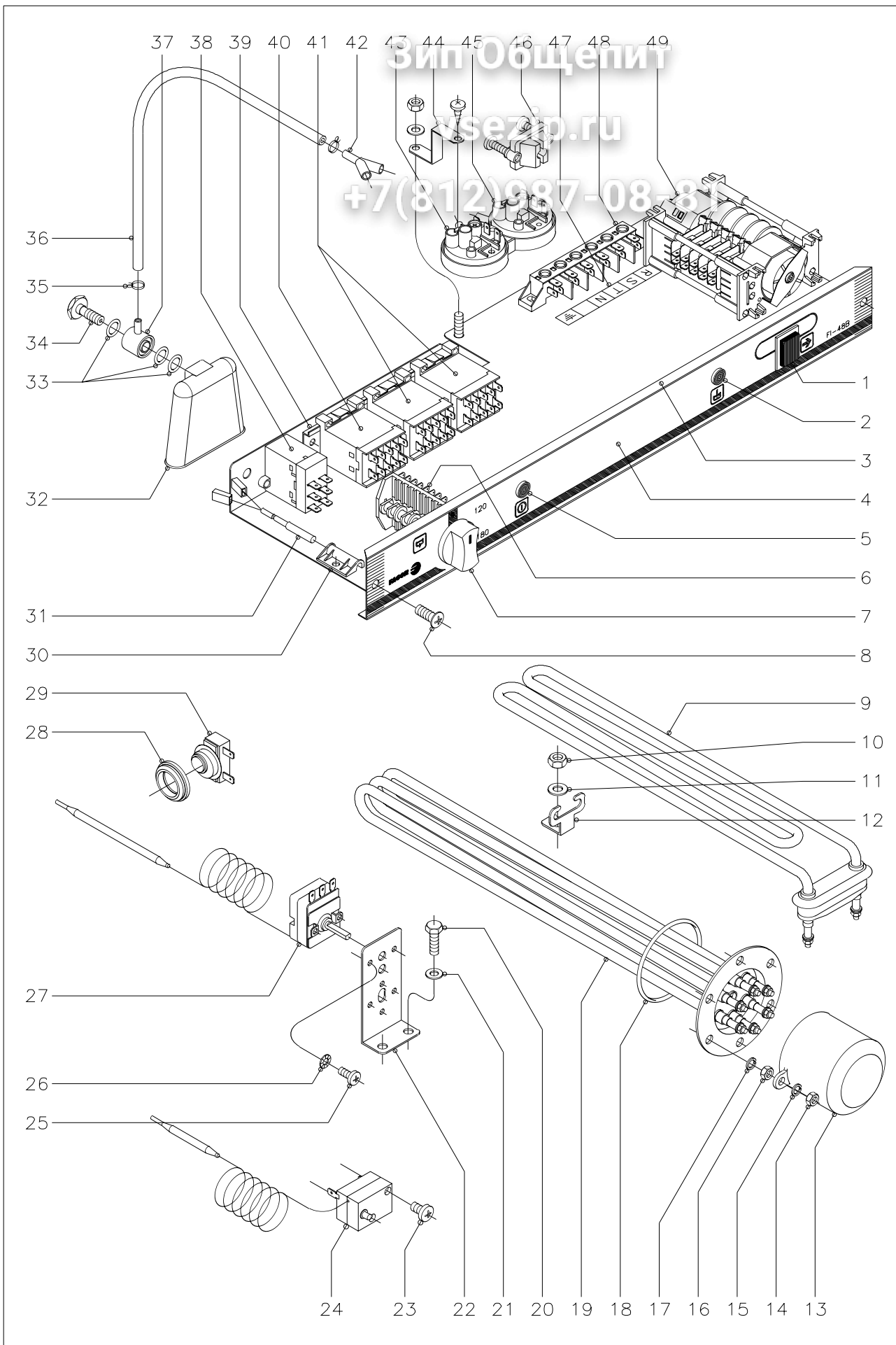
vsezip.ru



+7(812)987-08-81

| MOD. |         | LAVAVAJILLAS FRONTAL               |       | ZONA  | PARTE FUNCIONAL ACLARADO |       |        |  |
|------|---------|------------------------------------|-------|-------|--------------------------|-------|--------|--|
| ITEM | CODIGO  | DENOMINACION                       | TEXTO | FI-48 | FI-48B                   | FI-64 | FI-64B |  |
| 1    | 3676900 | Tubo goma negra Ø17xØ10x360        |       | 1     | 1                        | 1     | 1      |  |
| 2    | Q881302 | Abrazadera 12 - 20                 |       | 10    | 10                       | 10    | 10     |  |
| 3    | Z200707 | Soporte distribuidor superior      |       | 1     | 1                        | 1     | 1      |  |
| 4    | Z201106 | Racord en "Y"                      |       | 1     | 1                        | 1     | 1      |  |
| 5    | 3676900 | Tubo goma negra Ø17xØ10x780        |       | 1     | 1                        | 1     | 1      |  |
| 6    | 3676900 | Tubo goma negra Ø17xØ10x580        |       | 1     | 1                        | 1     | 1      |  |
| 7    | Z200703 | Pasamuros                          |       | 1     | 1                        | 1     | 1      |  |
| 8    | 3676900 | Tubo goma negra Ø17xØ10x330        |       | 2     | 2                        | 2     | 2      |  |
| 9    | 3704000 | Tubo goma negra Ø10,5xØ5x620       |       | 1     | 1                        | 1     | 1      |  |
| 10   | Q881308 | Abrazadera 8 - 14                  |       | 2     | 2                        | 2     | 2      |  |
| 11   | Z651123 | Dosificador tensoactivo            |       | 1     | 1                        | 1     | 1      |  |
| 12   | Z203007 | Casquillo                          |       | 2     | 2                        | 2     | 2      |  |
| 13   | Q041324 | Tornillo avellanado M-4x25         |       | 2     | 2                        | 2     | 2      |  |
| 14   | 3699200 | Conducto tensoactivo Ø6xØ4x650     |       | 1     | 1                        | 1     | 1      |  |
| 15   | N023064 | Pasamuros Ø6xØ13                   |       | 1     | 1                        | 1     | 1      |  |
| 16   | Z601153 | Filtro aspiracion tensoactivo      |       | 1     | 1                        | 1     | 1      |  |
| 17   | Z211101 | Deposito abrillantador tensoactivo |       | 1     | 1                        | 1     | 1      |  |
| 18   | Q012031 | Tornillo exagonal M-5x10           |       | 2     | 2                        | 2     | 2      |  |
| 19   | Q232030 | Arandela plana A-5                 |       | 2     | 2                        | 2     | 2      |  |
| 20   | Q307048 | Junta torica Ø16,18xØ9,12xØ3,53    |       | 1     | 1                        | 1     | 1      |  |
| 21   | Q012063 | Tornillo exagonal M-10x20          |       | 1     | 1                        | 1     | 1      |  |
| 22   | Z201710 | Cuerpo calderin                    |       | 1     | 1                        | 1     | 1      |  |
| 23   | Z601157 | Toma presion                       |       | 1     | 1                        | 1     | 1      |  |
| 24   | Z701135 | Electrovalvula entrada de agua     |       | 1     | 1                        | 1     | 1      |  |
| 25   | Q152024 | Tornillo avellanado M-4x8          |       | 2     | 2                        | 2     | 2      |  |
| 26   | Z701132 | Filtro junta                       |       | 1     | 1                        | 1     | 1      |  |
| 27   | Q232030 | Arandela plana A-5                 |       | 2     | 2                        | 2     | 2      |  |
| 28   | Q012031 | Tornillo exagonal M-5x10           |       | 2     | 2                        | 2     | 2      |  |
| 29   | Z201101 | Escuadra amarre electrovalvula     |       | 1     | 1                        | 1     | 1      |  |



| MOD. | LAVAVAJILLAS FRONTAL |                          | ZONA  | PARTE FUNCIONAL ACLARADO |        |       |        |  |  |
|------|----------------------|--------------------------|-------|--------------------------|--------|-------|--------|--|--|
| ITEM | CODIGO               | DENOMINACION             | TEXTO | FI-48                    | FI-48B | FI-64 | FI-64B |  |  |
| 30   | Z602121              | Manguera entrada de agua |       | 1                        | 1      | 1     | 1      |  |  |
| 31   | Q307031              | Arandela junta           |       | 1                        | 1      | 1     | 1      |  |  |
|      |                      |                          |       |                          |        |       |        |  |  |
|      |                      |                          |       |                          |        |       |        |  |  |
|      |                      |                          |       |                          |        |       |        |  |  |
|      |                      |                          |       |                          |        |       |        |  |  |
|      |                      |                          |       |                          |        |       |        |  |  |
|      |                      |                          |       |                          |        |       |        |  |  |
|      |                      |                          |       |                          |        |       |        |  |  |
|      |                      |                          |       |                          |        |       |        |  |  |
|      |                      |                          |       |                          |        |       |        |  |  |
|      |                      |                          |       |                          |        |       |        |  |  |
|      |                      |                          |       |                          |        |       |        |  |  |
|      |                      |                          |       |                          |        |       |        |  |  |
|      |                      |                          |       |                          |        |       |        |  |  |
|      |                      |                          |       |                          |        |       |        |  |  |
|      |                      |                          |       |                          |        |       |        |  |  |
|      |                      |                          |       |                          |        |       |        |  |  |
|      |                      |                          |       |                          |        |       |        |  |  |
|      |                      |                          |       |                          |        |       |        |  |  |
|      |                      |                          |       |                          |        |       |        |  |  |
|      |                      |                          |       |                          |        |       |        |  |  |
|      |                      |                          |       |                          |        |       |        |  |  |
|      |                      |                          |       |                          |        |       |        |  |  |
|      |                      |                          |       |                          |        |       |        |  |  |
|      |                      |                          |       |                          |        |       |        |  |  |
|      |                      |                          |       |                          |        |       |        |  |  |
|      |                      |                          |       |                          |        |       |        |  |  |
|      |                      |                          |       |                          |        |       |        |  |  |
|      |                      |                          |       |                          |        |       |        |  |  |
|      |                      |                          |       |                          |        |       |        |  |  |
|      |                      |                          |       |                          |        |       |        |  |  |
|      |                      |                          |       |                          |        |       |        |  |  |
|      |                      |                          |       |                          |        |       |        |  |  |
|      |                      |                          |       |                          |        |       |        |  |  |
|      |                      |                          |       |                          |        |       |        |  |  |
|      |                      |                          |       |                          |        |       |        |  |  |
|      |                      |                          |       |                          |        |       |        |  |  |
|      |                      |                          |       |                          |        |       |        |  |  |
|      |                      |                          |       |                          |        |       |        |  |  |



|                  |  |                |                                       |             |  |
|------------------|--|----------------|---------------------------------------|-------------|--|
| N plano<br>C-941 | Firma<br> | Fecha<br>12-00 | Aparato<br>LAVAVAJILLAS 48;48B;64;64B | Lamina<br>7 | Fagor Industrial S.Coop. <br>O<cate |
|------------------|--|----------------|---------------------------------------|-------------|--|

# Зип Общепит

vsezip.ru

+7(812)987-08-81

| MOD. |         | LAVAVAJILLAS FRONTAL              | ZONA  | PARTE FUNCIONAL ELECTRICA |        |       |        |
|------|---------|-----------------------------------|-------|---------------------------|--------|-------|--------|
| ITEM | CODIGO  | DENOMINACION                      | TEXTO | FI-48                     | FI-48B | FI-64 | FI-64B |
| 1    | Z213033 | Pulsador de marcha                |       | 1                         | 1      | 1     | 1      |
| 2    | Z203004 | Piloto verde                      |       | 1                         | 1      | 1     | 1      |
| 3    | Z212909 | Frente extraible                  |       | 1                         | 1      | 1     | 1      |
| 4    | Z212910 | Embellecedor adhesivo             |       | 1                         | -      | -     | -      |
| 4    | Z222902 | Embellecedor adhesivo             |       | -                         | 1      | -     | -      |
| 4    | Z242901 | Embellecedor adhesivo             |       | -                         | -      | 1     | -      |
| 4    | Z252901 | Embellecedor adhesivo             |       | -                         | -      | -     | 1      |
| 5    | Z203005 | Piloto ambar                      |       | 1                         | 1      | 1     | 1      |
| 6    | Z213003 | Conmutador de funciones           |       | 1                         | -      | 1     | -      |
| 6    | Z223001 | Conmutador de funciones           |       | -                         | 1      | -     | 1      |
| 7    | R663062 | Boton de mando completo           |       | 1                         | 1      | 1     | 1      |
| 8    | Q152004 | Tornillo aplastado M-5x13         |       | 2                         | 2      | 2     | 2      |
| 9    | Z203601 | Resistencia tanque 2800 W.230V.   |       | 1                         | 1      | 1     | 1      |
| 10   | Q162040 | Tuerca exagonal M-6               |       | 1                         | 1      | 1     | 1      |
| 11   | Q232040 | Arandela plana A-6                |       | 1                         | 1      | 1     | 1      |
| 12   | Z603602 | Soporte resistencia tanque        |       | 1                         | 1      | 1     | 1      |
| 13   | Z651731 | Caperuza resistencia calderin     |       | 1                         | 1      | 1     | 1      |
| 14   | Q163140 | Tuerca exagonal M-6               |       | 2                         | 2      | 2     | 2      |
| 15   | Q262040 | Arandela muelle A-6               |       | 2                         | 2      | 2     | 2      |
| 16   | Q163140 | Tuerca exagonal M-6               |       | 6                         | 6      | 6     | 6      |
| 17   | Q262040 | Arandela muelle A-6               |       | 6                         | 6      | 6     | 6      |
| 18   | Q307035 | Junta torica AN-36                |       | 1                         | 1      | 1     | 1      |
| 19   | Z201706 | Resistencia calderin 2800 W.230V. |       | 1                         | 1      | -     | -      |
| 19   | Z241701 | Resistencia calderin 6000 W.230V. |       | -                         | -      | 1     | 1      |
| 20   | Q012031 | Tornillo exagonal M-5x10          |       | 2                         | 2      | 2     | 2      |
| 21   | Q232030 | Arandela plana A-5                |       | 2                         | 2      | 2     | 2      |
| 22   | Z203016 | Soporte termostatos               |       | 1                         | 1      | 1     | 1      |
| 23   | Q081330 | Tornillo alomado BZ-3,5X6,5       |       | 2                         | 2      | 2     | 2      |
| 24   | Z213014 | Termostato limitador              |       | 1                         | 1      | 1     | 1      |

# Зип Общепит

vsezip.ru

ZONA

PARTE FUNCIONAL ELECTRICA

| MOD. |         | LAVAVAJILLAS FRONTAL                 |       |       |        |       |        |
|------|---------|--------------------------------------|-------|-------|--------|-------|--------|
| ITEM | CODIGO  | DENOMINACION                         | TEXTO | FI-48 | FI-48B | FI-64 | FI-64B |
| 25   | Q152024 | Tornillo avellanado M-4x8            |       | 2     | 2      | 2     | 2      |
| 26   | Q242020 | Arandela abanico A-4                 |       | 2     | 2      | 2     | 2      |
| 27   | Z203014 | Termostato calderin                  |       | 1     | 1      | 1     | 1      |
| 28   | N503017 | Soporte termostato                   |       | 1     | 1      | 1     | 1      |
| 29   | Z718405 | Termostato doble ( tanque )          |       | 1     | 1      | 1     | 1      |
| 30   | Z203010 | Amarre interruptor magnetico         |       | 1     | 1      | 1     | 1      |
| 31   | Z203009 | Interruptor magnetico                |       | 1     | 1      | 1     | 1      |
| 32   | Z203011 | Camara presostato                    |       | 1     | 1      | 1     | 1      |
| 33   | Q307003 | Junta torica Ø16,01xØ10,77xØ2,62     |       | 3     | 3      | 3     | 3      |
| 34   | Z203013 | Tornillo presostato                  |       | 1     | 1      | 1     | 1      |
| 35   | P102154 | Brida elastica para tubo             |       | 2     | 2      | 2     | 2      |
| 36   | 3702400 | Tubo goma negra Ø8xØ4x1300           |       | 1     | 1      | 1     | 1      |
| 37   | Z203012 | Empalme presostato                   |       | 1     | 1      | 1     | 1      |
| 38   | Z203018 | Rele puerta 230 V., 50/60 Hz.        |       | 1     | 1      | 1     | 1      |
| 39   | Z123018 | Guia contactor L=55                  |       | 2     | 2      | -     | -      |
| 39   | Z103084 | Guia contactor L=138                 |       | -     | -      | 1     | 1      |
| 40   | Z213007 | Contactador 230 V. 50/60 Hz.(tanque) |       | 1     | 1      | 1     | 1      |
| 41   | Z213007 | Contactador 230V.50/60 Hz.(calderin) |       | -     | -      | 2     | 2      |
| 41   | Z203050 | Contactador 230V.50/60 Hz.(calderin) |       | 1     | 1      | -     | -      |
| 42   | Z103077 | Racord en "Y"                        |       | -     | 1      | -     | 1      |
| 43   | Z203023 | Presostato de nivel                  |       | 1     | 1      | 1     | 1      |
|      | Q082032 | Tornillo alomado BZ-3,5x9,5          |       | 1     | 1      | 1     | 1      |
| 44   | Z602923 | Soporte presostato                   |       | 1     | 1      | 1     | 1      |
|      | Q152004 | Tornillo aplastado M-5x13            |       | 1     | 1      | 1     | 1      |
|      | Q232030 | Arandela plana A-5                   |       | 1     | 1      | 1     | 1      |
|      | Q162030 | Tuerca exagonal M-5                  |       | 1     | 1      | 1     | 1      |
| 45   | Z223005 | Presostato de seguridad              |       | -     | 1      | -     | 1      |
| 46   | Z203020 | Retenedor de cable                   |       | 1     | 1      | 1     | 1      |
| 47   | Z213005 | Rotulo adhesivo RSTN                 |       | 1     | 1      | 1     | 1      |

vsezip.ru

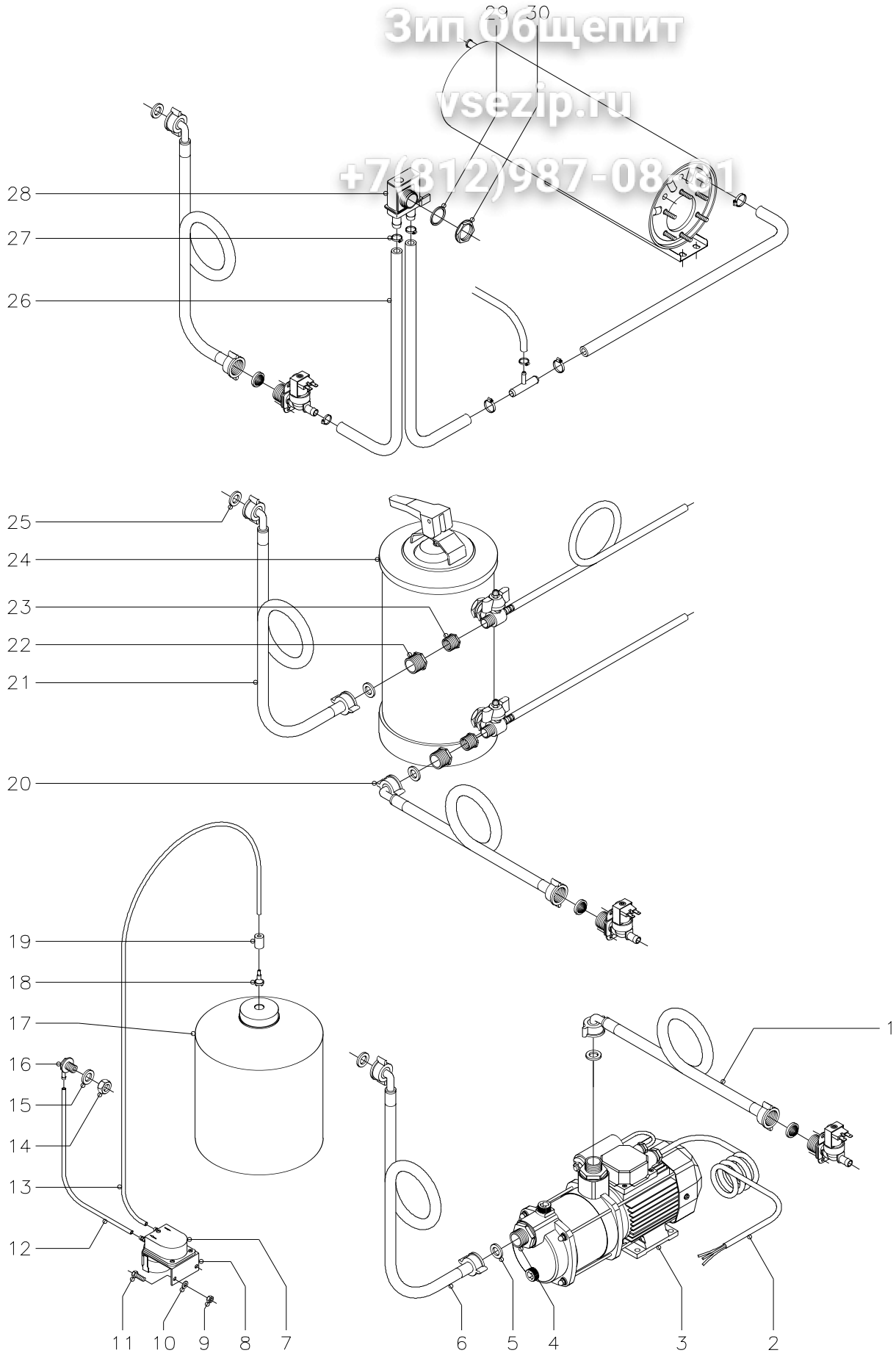
+7(812)987-08-81

| MOD. | LAVAVAJILLAS FRONTAL | ZONA                  | PARTE FUNCIONAL ELECTRICA |       |        |       |        |
|------|----------------------|-----------------------|---------------------------|-------|--------|-------|--------|
| ITEM | CODIGO               | DENOMINACION          | TEXTO                     | FI-48 | FI-48B | FI-64 | FI-64B |
| 48   | R253044              | Regleta de conexiones |                           | 1     | 1      | 1     | 1      |
| 49   | Z213008              | Programador ciclo     |                           | 1     | 1      | -     | -      |
| 49   | Z243004              | Programador ciclo     |                           | -     | -      | 1     | 1      |
|      |                      |                       |                           |       |        |       |        |
|      |                      |                       |                           |       |        |       |        |
|      |                      |                       |                           |       |        |       |        |
|      |                      |                       |                           |       |        |       |        |
|      |                      |                       |                           |       |        |       |        |
|      |                      |                       |                           |       |        |       |        |
|      |                      |                       |                           |       |        |       |        |
|      |                      |                       |                           |       |        |       |        |
|      |                      |                       |                           |       |        |       |        |
|      |                      |                       |                           |       |        |       |        |
|      |                      |                       |                           |       |        |       |        |
|      |                      |                       |                           |       |        |       |        |
|      |                      |                       |                           |       |        |       |        |
|      |                      |                       |                           |       |        |       |        |
|      |                      |                       |                           |       |        |       |        |
|      |                      |                       |                           |       |        |       |        |
|      |                      |                       |                           |       |        |       |        |
|      |                      |                       |                           |       |        |       |        |
|      |                      |                       |                           |       |        |       |        |
|      |                      |                       |                           |       |        |       |        |
|      |                      |                       |                           |       |        |       |        |
|      |                      |                       |                           |       |        |       |        |
|      |                      |                       |                           |       |        |       |        |
|      |                      |                       |                           |       |        |       |        |
|      |                      |                       |                           |       |        |       |        |
|      |                      |                       |                           |       |        |       |        |
|      |                      |                       |                           |       |        |       |        |
|      |                      |                       |                           |       |        |       |        |
|      |                      |                       |                           |       |        |       |        |
|      |                      |                       |                           |       |        |       |        |
|      |                      |                       |                           |       |        |       |        |
|      |                      |                       |                           |       |        |       |        |
|      |                      |                       |                           |       |        |       |        |
|      |                      |                       |                           |       |        |       |        |
|      |                      |                       |                           |       |        |       |        |

Зип Общепит

vsezip.ru

+7(812)987-08991



N plano  
C-942

Firma

Fecha  
12-00

Aparato  
ACCESORIOS LAVAVAJILLAS

Lamina  
7

Fagor Industrial S.Coop.  
Olate

**FAGOR**

# Зип Общепит

vsezip.ru

+7(812)987-08-81

| MOD.   | LAVAVAJILLAS FRONTAL |                                   | ZONA  | ACCESORIOS PARA LAVAVAJILLAS |        |       |        |
|--|----------------------|-----------------------------------|-------|------------------------------|--------|-------|--------|
| ITEM   | CODIGO               | DENOMINACION                      | TEXTO | FI-48                        | FI-48B | FI-64 | FI-64B |
| <b>1210305187 KIT BOMBA PRESION</b>          |                      |                                   |       |                              |        |       |        |
| 1  | -                    | Manguera de maquina               |       | -                            | -      | -     | -      |
| 2  | Z209510              | Cableado bomba de presion         |       | 1                            | 1      | 1     | 1      |
| 3  | Z209508              | Bomba de presion                  |       | 1                            | 1      | 1     | 1      |
| 4  | Z209509              | Manguito                          |       | 2                            | 2      | 2     | 2      |
| 5  | Q307031              | Junta manguera entrada agua       |       | 2                            | 2      | 2     | 2      |
| 6  | Z602121              | Manguera entrada de agua          |       | 1                            | 1      | 1     | 1      |
| <b>1210305188 KIT DOSIFICADOR DETERGENTE</b> |                      |                                   |       |                              |        |       |        |
| 7  | Z209521              | Dosificador de detergente         |       | 1                            | 1      | 1     | 1      |
|  | Q082005              | Tornillo chapa 4,2x13             |       | 2                            | 2      | 2     | 2      |
| 8  | Z209518              | Soporte dosificador de detergente |       | 1                            | 1      | 1     | 1      |
| 9  | Q162030              | Tuerca exagonal M-5               |       | 2                            | 2      | 2     | 2      |
| 10   | Q232030              | Arandela plana A-5                |       | 2                            | 2      | 2     | 2      |
| 11   | Q012031              | Tornillo exagonal M-5x10          |       | 2                            | 2      | 2     | 2      |
| 12   | 3699200              | Conducto detergente Ø6xØ4x500     |       | 1                            | 1      | 1     | 1      |
| 13   | 3699200              | Conducto detergente Ø6xØ4x2000    |       | 1                            | 1      | 1     | 1      |
| 14   | Q162070              | Tuerca exagonal M-12              |       | 1                            | 1      | 1     | 1      |
| 15   | Q307031              | Arandela junta Ø24xØ14x3          |       | 1                            | 1      | 1     | 1      |
| 16   | Z230902              | Pasamuros detergente              |       | 1                            | 1      | 1     | 1      |
| 17   | -                    | Garrafa detergente                |       | -                            | -      | -     | -      |
| 18   | Z601153              | Filtro aspiracion                 |       | 1                            | 1      | 1     | 1      |
| 19   | Z701152              | Peso filtro                       |       | 1                            | 1      | 1     | 1      |
|  |                      |                                   |       |                              |        |       |        |
|  |                      |                                   |       |                              |        |       |        |
|  |                      |                                   |       |                              |        |       |        |
|  |                      |                                   |       |                              |        |       |        |
|  |                      |                                   |       |                              |        |       |        |
|  |                      |                                   |       |                              |        |       |        |
|  |                      |                                   |       |                              |        |       |        |

# Зип Общепит

vsezip.ru

ZONA

ACCESORIOS PARA LAVAVAJILLAS

| MOD.                                       |         | LAVAVAJILLAS FRONTAL         |       |       |        |       |        |
|--|---------|------------------------------|-------|-------|--------|-------|--------|
| ITEM                                       | CODIGO  | DENOMINACION                 | TEXTO | FI-48 | FI-48B | FI-64 | FI-64B |
| <b>1210305191 KIT DESCALCIFICADOR 8L.</b>  |         |                              |       |       |        |       |        |
| 20   | -       | Manguera de maquina          |       | -     | -      | -     | -      |
| 21   | Z602121 | Manguera entrada de agua     |       | 1     | 1      | 1     | 1      |
| 22   | Z209515 | Tuerca reduccion 3/4" - 1/2" |       | 2     | 2      | 2     | 2      |
| 23   | Z209516 | Tuerca reduccion 1/2" - 3/8" |       | 2     | 2      | 2     | 2      |
| 24   | Z209511 | Descalcificador 8 l.         |       | 1     | 1      | 1     | 1      |
| 25   | Q307031 | Junta manguera entrada agua  |       | 2     | 2      | 2     | 2      |
| <b>1210305186 KIT DESCALCIFICADOR 12L.</b> |         |                              |       |       |        |       |        |
| 20   | -       | Manguera de maquina          |       | -     | -      | -     | -      |
| 21   | Z602121 | Manguera entrada de agua     |       | 1     | 1      | 1     | 1      |
| 22   | Z209515 | Tuerca reduccion 3/4" - 1/2" |       | 2     | 2      | 2     | 2      |
| 23   | Z209516 | Tuerca reduccion 1/2" - 3/8" |       | 2     | 2      | 2     | 2      |
| 24   | Z209507 | Descalcificador 12 l.        |       | 1     | 1      | 1     | 1      |
| 25   | Q307031 | Junta manguera entrada agua  |       | 2     | 2      | 2     | 2      |
| <b>1210305192 KIT DESCALCIFICADOR 16L.</b> |         |                              |       |       |        |       |        |
| 20   | -       | Manguera de maquina          |       | -     | -      | -     | -      |
| 21   | Z602121 | Manguera entrada de agua     |       | 1     | 1      | 1     | 1      |
| 22   | Z209515 | Tuerca reduccion 3/4" - 1/2" |       | 2     | 2      | 2     | 2      |
| 23   | Z209516 | Tuerca reduccion 1/2" - 3/8" |       | 2     | 2      | 2     | 2      |
| 24   | Z209512 | Descalcificador 16 l.        |       | 1     | 1      | 1     | 1      |
| 25   | Q307031 | Junta manguera entrada agua  |       | 2     | 2      | 2     | 2      |





# Зип Общепит

vsezip.ru

ZONA

VARIOS

| MOD. |         | LAVAVAJILLAS FRONTAL              | ZONA  | VARIOS |        |       |        |
|------|---------|-----------------------------------|-------|--------|--------|-------|--------|
| ITEM | CODIGO  | DENOMINACION                      | TEXTO | FI-48  | FI-48B | FI-64 | FI-64B |
|      | Z206131 | Folleto de instrucciones          |       | 1      | 1      | -     | -      |
|      | Z246131 | Folleto de instrucciones          |       | -      | -      | 1     | 1      |
|      | Z213012 | Esquema electrico adhesivo        |       | 1      | -      | -     | -      |
|      | Z213050 | Esquema electrico de montaje      |       | 1      | -      | -     | -      |
|      | Z223012 | Esquema electrico adhesivo        |       | -      | 1      | -     | -      |
|      | Z223050 | Esquema electrico de montaje      |       | -      | 1      | -     | -      |
|      | Z243009 | Esquema electrico adhesivo        |       | -      | -      | 1     | -      |
|      | Z243045 | Esquema electrico de montaje      |       | -      | -      | 1     | -      |
|      | Z253009 | Esquema electrico adhesivo        |       | -      | -      | -     | 1      |
|      | Z253045 | Esquema electrico de montaje      |       | -      | -      | -     | 1      |
|      | Z603041 | Cable alimentacion                |       | 1      | 1      | -     | -      |
|      | Z203025 | Instalacion electrica             |       | 1      | 1      | -     | -      |
|      | Z203019 | Instalacion electrica             |       | -      | -      | 1     | 1      |
|      | Z213004 | Cableado auxiliar ( portamandos ) |       | 1      | -      | 1     | -      |
|      | Z223002 | Cableado bomba desagüe            |       | -      | 1      | -     | 1      |
|      | Z243002 | Cableado trifasico ( calderin )   |       | -      | -      | 1     | 1      |
|      |         |                                   |       |        |        |       |        |
|      |         |                                   |       |        |        |       |        |
|      |         |                                   |       |        |        |       |        |
|      |         |                                   |       |        |        |       |        |
|      |         |                                   |       |        |        |       |        |
|      |         |                                   |       |        |        |       |        |
|      |         |                                   |       |        |        |       |        |
|      |         |                                   |       |        |        |       |        |
|      |         |                                   |       |        |        |       |        |
|      |         |                                   |       |        |        |       |        |
|      |         |                                   |       |        |        |       |        |
|      |         |                                   |       |        |        |       |        |

# Зип Общепит

vsezip.ru

+7(812)987-08-81

| MOD. |         | LAVAVAJILLAS FRONTAL             | ZONA  | PIEZAS ESPECIFICAS PARA LA VERSIO<br>( 220/240 V. - 60 Hz., II ) |        |       |        |  |
|------|---------|----------------------------------|-------|--|--------|-------|--------|--|
| ITEM | CODIGO  | DENOMINACION                     | TEXTO | FI-48  | FI-48B | FI-64 | FI-64B |  |
| 5    | Z203511 | Bomba de lavado 230 V. - 60 Hz.  |       | 1  | 1      | 1     | 1      |  |
| 17   | Z223501 | Bomba de desagüe 230 V. - 60 Hz. |       | -  | 1      | -     | 1      |  |
|      |         |                                  |       |  |        |       |        |  |
|      |         |                                  |       |  |        |       |        |  |
|      |         |                                  |       |  |        |       |        |  |
|      |         |                                  |       |  |        |       |        |  |
|      |         |                                  |       |  |        |       |        |  |
|      |         |                                  |       |  |        |       |        |  |
|      |         |                                  |       |  |        |       |        |  |
|      |         |                                  |       |  |        |       |        |  |
|      |         |                                  |       |  |        |       |        |  |
|      |         |                                  |       |  |        |       |        |  |
|      |         |                                  |       |  |        |       |        |  |
|      |         |                                  |       |  |        |       |        |  |
|      |         |                                  |       |  |        |       |        |  |
|      |         |                                  |       |  |        |       |        |  |
|      |         |                                  |       |  |        |       |        |  |
|      |         |                                  |       |  |        |       |        |  |
|      |         |                                  |       |  |        |       |        |  |
|      |         |                                  |       |  |        |       |        |  |
|      |         |                                  |       |  |        |       |        |  |
|      |         |                                  |       |  |        |       |        |  |

# Зип Ощепит

vsezip.ru

+7(812)987-08-81

| MOD. |         | LAVAVAJILLAS FRONTAL AZKOYEN    | ZONA  |       | PIEZAS ESPECIFICAS ( AZKOYEN ) |         |        |  |  |  |
|------|---------|---------------------------------|-------|-------|--------------------------------|---------|--------|--|--|--|
| ITEM | CODIGO  | DENOMINACION                    | TEXTO | A-480 | FI-48                          | A-480-B | FI-48B |  |  |  |
|      | Z218601 | Embellecedor adhesivo           |       | 1     |                                | -       |        |  |  |  |
|      | Z228803 | Embellecedor adhesivo           |       | -     |                                | 1       |        |  |  |  |
|      | Z658813 | Boton de mando con anillo comp. |       | 1     |                                | 1       |        |  |  |  |
|      | Z658607 | Indicador de mando              |       | 1     |                                | 1       |        |  |  |  |
|      | Z658602 | Asa puerta                      |       | 1     |                                | 1       |        |  |  |  |
|      | Z208603 | Adhesivo puerta                 |       | 1     |                                | 1       |        |  |  |  |
|      | Z218603 | Adhesivo panel                  |       | 1     |                                | -       |        |  |  |  |
|      | Z228805 | Adhesivo panel                  |       | -     |                                | 1       |        |  |  |  |
|      | Z208608 | Libro de instrucciones          |       | 1     |                                | 1       |        |  |  |  |
|      | Z208610 | Hoja garantia AZKOYEN           |       | 1     |                                | 1       |        |  |  |  |
|      | Z658609 | Palet AZKOYEN                   |       | 1     |                                | 1       |        |  |  |  |
|      |         |                                 |       |       |                                |         |        |  |  |  |
|      |         |                                 |       |       |                                |         |        |  |  |  |
|      |         |                                 |       |       |                                |         |        |  |  |  |
|      |         |                                 |       |       |                                |         |        |  |  |  |
|      |         |                                 |       |       |                                |         |        |  |  |  |
|      |         |                                 |       |       |                                |         |        |  |  |  |
|      |         |                                 |       |       |                                |         |        |  |  |  |
|      |         |                                 |       |       |                                |         |        |  |  |  |
|      |         |                                 |       |       |                                |         |        |  |  |  |
|      |         |                                 |       |       |                                |         |        |  |  |  |
|      |         |                                 |       |       |                                |         |        |  |  |  |
|      |         |                                 |       |       |                                |         |        |  |  |  |

vsezip.ru

+7(812)987-08-81

| MOD. <span style="border: 1px solid black; padding: 2px 20px;">LAVAVAJILLAS FRONTAL RESTOMAT</span> |         |                         |       |       |       |  |  |  |  |
|---|---------|-------------------------|-------|-------|-------|--|--|--|--|
| ZONA  |         |                         |       |       |       |  |  |  |  |
| PIEZAS ESPECIFICAS ( RESTOMAT )   |         |                         |       |       |       |  |  |  |  |
| ITEM  | CODIGO  | DENOMINACION            | TEXTO | KM-48 | FI-48 |  |  |  |  |
|   | Z214911 | Embelecedor adhesivo    |       | 1     |       |  |  |  |  |
|   | Z214902 | Boton de mando completo |       | 1     |       |  |  |  |  |
|   | Z650531 | Asa puerta              |       | 1     |       |  |  |  |  |
|   |         |                         |       |       |       |  |  |  |  |
|   |         |                         |       |       |       |  |  |  |  |
|   |         |                         |       |       |       |  |  |  |  |
|   |         |                         |       |       |       |  |  |  |  |
|   |         |                         |       |       |       |  |  |  |  |
|   |         |                         |       |       |       |  |  |  |  |
|   |         |                         |       |       |       |  |  |  |  |
|   |         |                         |       |       |       |  |  |  |  |
|   |         |                         |       |       |       |  |  |  |  |
|   |         |                         |       |       |       |  |  |  |  |
|   |         |                         |       |       |       |  |  |  |  |
|   |         |                         |       |       |       |  |  |  |  |
|   |         |                         |       |       |       |  |  |  |  |
|   |         |                         |       |       |       |  |  |  |  |
|   |         |                         |       |       |       |  |  |  |  |
|   |         |                         |       |       |       |  |  |  |  |
|   |         |                         |       |       |       |  |  |  |  |
|   |         |                         |       |       |       |  |  |  |  |
|   |         |                         |       |       |       |  |  |  |  |
|   |         |                         |       |       |       |  |  |  |  |
|   |         |                         |       |       |       |  |  |  |  |
|   |         |                         |       |       |       |  |  |  |  |
|   |         |                         |       |       |       |  |  |  |  |

vsezip.ru

+7(812)987-08-81

| ITEM | CODIGO  | DENOMINACION          | TEXTO | PIEZAS ESPECIFICAS ( CORECO ) |        |       |          |        |  |
|------|---------|-----------------------|-------|-------------------------------|--------|-------|----------|--------|--|
|      |         |                       |       | ZONA                          | CLV-48 | FI-48 | CLV-48-B | FI-48B |  |
|      | Z218101 | Embellecedor adhesivo |       |                               | 1      | -     |          |        |  |
|      | Z228101 | Embellecedor adhesivo |       |                               | -      | 1     |          |        |  |
|      |         |                       |       |                               |        |       |          |        |  |
|      |         |                       |       |                               |        |       |          |        |  |
|      |         |                       |       |                               |        |       |          |        |  |
|      |         |                       |       |                               |        |       |          |        |  |
|      |         |                       |       |                               |        |       |          |        |  |
|      |         |                       |       |                               |        |       |          |        |  |
|      |         |                       |       |                               |        |       |          |        |  |
|      |         |                       |       |                               |        |       |          |        |  |
|      |         |                       |       |                               |        |       |          |        |  |
|      |         |                       |       |                               |        |       |          |        |  |
|      |         |                       |       |                               |        |       |          |        |  |
|      |         |                       |       |                               |        |       |          |        |  |
|      |         |                       |       |                               |        |       |          |        |  |
|      |         |                       |       |                               |        |       |          |        |  |
|      |         |                       |       |                               |        |       |          |        |  |
|      |         |                       |       |                               |        |       |          |        |  |
|      |         |                       |       |                               |        |       |          |        |  |
|      |         |                       |       |                               |        |       |          |        |  |
|      |         |                       |       |                               |        |       |          |        |  |

# Зип ОщепИТ

vsezip.ru

+7(812)987-08-81

| <b>MOD.</b> | LAVAVAJILLAS FRONTAL |                                   | <b>ZONA</b> | PIEZAS ESPECIFICAS FI-48T ( 220 V., II, 60 |       |  |  |  |  |
|-------------|----------------------|-----------------------------------|-------------|--|-------|--|--|--|--|
| ITEM        | CODIGO               | DENOMINACION                      | TEXTO       | FI-48T                                     | FI-48 |  |  |  |  |
|             | Z218301              | Embellecedor adhesivo             |             | 1  |       |  |  |  |  |
|             | Z218302              | Programador ciclo 60 Hz.          |             | 1  |       |  |  |  |  |
|             | Z218306              | Resistencia calderin 4000 W.230V. |             | 1  |       |  |  |  |  |
|             | Z203511              | Bomba de lavado 230 V. 60 Hz.     |             | 1  |       |  |  |  |  |
|             | Z202913              | Panel frontal                     |             | 1  |       |  |  |  |  |
|             | Z208311              | Folleto de instrucciones          |             | 1  |       |  |  |  |  |
|             |                      |                                   |             |  |       |  |  |  |  |
|             |                      |                                   |             |  |       |  |  |  |  |
|             |                      |                                   |             |  |       |  |  |  |  |
|             |                      |                                   |             |  |       |  |  |  |  |
|             |                      |                                   |             |  |       |  |  |  |  |
|             |                      |                                   |             |  |       |  |  |  |  |
|             |                      |                                   |             |  |       |  |  |  |  |
|             |                      |                                   |             |  |       |  |  |  |  |
|             |                      |                                   |             |  |       |  |  |  |  |
|             |                      |                                   |             |  |       |  |  |  |  |
|             |                      |                                   |             |  |       |  |  |  |  |
|             |                      |                                   |             |  |       |  |  |  |  |
|             |                      |                                   |             |  |       |  |  |  |  |
|             |                      |                                   |             |  |       |  |  |  |  |
|             |                      |                                   |             |  |       |  |  |  |  |
|             |                      |                                   |             |  |       |  |  |  |  |
|             |                      |                                   |             |  |       |  |  |  |  |
|             |                      |                                   |             |  |       |  |  |  |  |
|             |                      |                                   |             |  |       |  |  |  |  |
|             |                      |                                   |             |  |       |  |  |  |  |
|             |                      |                                   |             |  |       |  |  |  |  |
|             |                      |                                   |             |  |       |  |  |  |  |
|             |                      |                                   |             |  |       |  |  |  |  |

# Зип Общепит

|      |                                |      |   |
|------|--------------------------------|------|---|
| MOD. | LAVAVAJILLAS FRONTAL WAVECLEAN | ZONA | PIEZAS ESPECIFICAS ( WAVECLEAN<br>( 220/240 V., II , 60 Hz. ) |
|------|--------------------------------|------|---|

| ITEM | CODIGO  | DENOMINACION                      | TEXTO | W4-A | FI-48 |  |  |  |  |  |  |  |  |  |  |  |  |  |  |
|------|---------|-----------------------------------|-------|------|-------|--|--|--|--|--|--|--|--|--|--|--|--|--|--|
|      | Z219301 | Embellededor adhesivo             |       |      | 1     |  |  |  |  |  |  |  |  |  |  |  |  |  |  |
|      | Z218302 | Programador ciclo 120-180, 60 Hz. |       |      | 1     |  |  |  |  |  |  |  |  |  |  |  |  |  |  |
|      | Z203511 | Bomba de lavado ( 230 V., 60Hz. ) |       |      | 1     |  |  |  |  |  |  |  |  |  |  |  |  |  |  |
|      |         |                                   |       |      |       |  |  |  |  |  |  |  |  |  |  |  |  |  |  |
|      |         |                                   |       |      |       |  |  |  |  |  |  |  |  |  |  |  |  |  |  |
|      |         |                                   |       |      |       |  |  |  |  |  |  |  |  |  |  |  |  |  |  |
|      |         |                                   |       |      |       |  |  |  |  |  |  |  |  |  |  |  |  |  |  |
|      |         |                                   |       |      |       |  |  |  |  |  |  |  |  |  |  |  |  |  |  |
|      |         |                                   |       |      |       |  |  |  |  |  |  |  |  |  |  |  |  |  |  |
|      |         |                                   |       |      |       |  |  |  |  |  |  |  |  |  |  |  |  |  |  |
|      |         |                                   |       |      |       |  |  |  |  |  |  |  |  |  |  |  |  |  |  |
|      |         |                                   |       |      |       |  |  |  |  |  |  |  |  |  |  |  |  |  |  |
|      |         |                                   |       |      |       |  |  |  |  |  |  |  |  |  |  |  |  |  |  |
|      |         |                                   |       |      |       |  |  |  |  |  |  |  |  |  |  |  |  |  |  |
|      |         |                                   |       |      |       |  |  |  |  |  |  |  |  |  |  |  |  |  |  |
|      |         |                                   |       |      |       |  |  |  |  |  |  |  |  |  |  |  |  |  |  |
|      |         |                                   |       |      |       |  |  |  |  |  |  |  |  |  |  |  |  |  |  |
|      |         |                                   |       |      |       |  |  |  |  |  |  |  |  |  |  |  |  |  |  |
|      |         |                                   |       |      |       |  |  |  |  |  |  |  |  |  |  |  |  |  |  |
|      |         |                                   |       |      |       |  |  |  |  |  |  |  |  |  |  |  |  |  |  |
|      |         |                                   |       |      |       |  |  |  |  |  |  |  |  |  |  |  |  |  |  |
|      |         |                                   |       |      |       |  |  |  |  |  |  |  |  |  |  |  |  |  |  |
|      |         |                                   |       |      |       |  |  |  |  |  |  |  |  |  |  |  |  |  |  |
|      |         |                                   |       |      |       |  |  |  |  |  |  |  |  |  |  |  |  |  |  |



# Зип Общепит

vsezip.ru

+7(812)987-08-81

| MOD. <span style="border: 1px solid black; padding: 2px;">LAVAVAJILLAS FRONTAL SHARPLINE</span> |         | ZONA                              | PIEZAS ESPECIFICAS ( SHARPLINE )<br>( 220 V. , 50 Hz. ) |         |        |  |  |  |  |  |
|---|---------|-----------------------------------|---|---------|--------|--|--|--|--|--|
| ITEM  | CODIGO  | DENOMINACION                      | TEXTO   | FI-48-B | FI-48B |  |  |  |  |  |
|   | Z229201 | Embellecedor adhesivo             |   | 1       |        |  |  |  |  |  |
|   | Z213002 | Programador ciclo                 |   | 1       |        |  |  |  |  |  |
|   | Z683087 | Contactador 3TF20 01-3AL2, 230 V. |   | 1       |        |  |  |  |  |  |
|   | Z229205 | Cableado Sharpline                |   | 1       |        |  |  |  |  |  |
|   | Z229011 | Cableado termo-stop               |   | 1       |        |  |  |  |  |  |
|   | X083010 | Regleta faston macho doble        |   | 2       |        |  |  |  |  |  |
|   | Z229210 | Esquema elect. Montaje Sharpline  |   | 1       |        |  |  |  |  |  |
|   | Z229204 | Esquema electrico adhesivo        |   | 1       |        |  |  |  |  |  |
|   | Z231105 | Valvula antirretorno              |   | 1       |        |  |  |  |  |  |
|   | Q307029 | Arandela junta Ø31xØ26,5x2        |   | 1       |        |  |  |  |  |  |
|   | R023025 | Contratuerca                      |   | 1       |        |  |  |  |  |  |
|   | Z263001 | Indicador analogico               |   | 2       |        |  |  |  |  |  |
|   | Z263002 | Vaina para sonda ( tanque )       |   | 1       |        |  |  |  |  |  |
|   | Q306024 | Arandela junta Ø18xØ12,5x1,5      |   | 1       |        |  |  |  |  |  |
|   | Q162070 | Tuerca exagonal M-12              |   | 1       |        |  |  |  |  |  |
|   | Q013023 | Tornillo exagonal M-4x20          |   | 4       |        |  |  |  |  |  |
|   |         |                                   |   |         |        |  |  |  |  |  |
|   |         |                                   |   |         |        |  |  |  |  |  |
|   |         |                                   |   |         |        |  |  |  |  |  |
|   |         |                                   |   |         |        |  |  |  |  |  |
|   |         |                                   |   |         |        |  |  |  |  |  |
|   |         |                                   |   |         |        |  |  |  |  |  |
|   |         |                                   |   |         |        |  |  |  |  |  |
|   |         |                                   |   |         |        |  |  |  |  |  |
|   |         |                                   |   |         |        |  |  |  |  |  |
|   |         |                                   |   |         |        |  |  |  |  |  |
|   |         |                                   |   |         |        |  |  |  |  |  |
|   |         |                                   |   |         |        |  |  |  |  |  |
|   |         |                                   |   |         |        |  |  |  |  |  |
|   |         |                                   |   |         |        |  |  |  |  |  |
|   |         |                                   |   |         |        |  |  |  |  |  |

# Зип Общепит

vsezip.ru

+7(812)987-08-81

| MOD. |         | LAVAVAJILLAS FRONTAL              |       | ZONA    | PIEZAS ESPECIFICAS ( FI-48W, FI-64W<br>( 208 - 240 V. , II , 60 Hz. ) |         |        |  |  |  |  |
|------|---------|-----------------------------------|-------|---------|---|---------|--------|--|--|--|--|
| ITEM | CODIGO  | DENOMINACION                      | TEXTO | FI-48-W | FI-48B  | FI-64-W | FI-64B |  |  |  |  |
|      | Z228401 | Embellecedor adhesivo W (48)      |       | 1       | -   |         |        |  |  |  |  |
|      | Z258401 | Embellecedor adhesivo W (64)      |       | -       | 1   |         |        |  |  |  |  |
|      | Z228412 | Programador ciclo 60 Hz. T. Stop  |       | 1       | -   |         |        |  |  |  |  |
|      | Z258412 | Programador ciclo 60 Hz. T. Stop  |       | -       | 1   |         |        |  |  |  |  |
|      | Z683087 | Contactador 3TF20 01-3AL2, 230 V. |       | 1       | 1   |         |        |  |  |  |  |
|      | Z408408 | Cable alimentacion USA            |       | 1       | -   |         |        |  |  |  |  |
|      | Z229011 | Cableado termo-stop               |       | 1       | -   |         |        |  |  |  |  |
|      | Z229009 | Cableado termo-stop               |       | -       | 1   |         |        |  |  |  |  |
|      | Z228407 | Esquema elect. montaje W          |       | 1       | -   |         |        |  |  |  |  |
|      | Z258406 | Esquema elect. montaje W          |       | -       | 1   |         |        |  |  |  |  |
|      | Z228402 | Esquema electrico adhesivo        |       | 1       | -   |         |        |  |  |  |  |
|      | Z258402 | Esquema electrico adhesivo        |       | -       | 1   |         |        |  |  |  |  |
|      | Z231105 | Valvula antirretorno              |       | 1       | 1   |         |        |  |  |  |  |
|      | Q307029 | Arandela junta Ø31xØ26,5x2        |       | 1       | 1   |         |        |  |  |  |  |
|      | R023025 | Contratuerca                      |       | 1       | 1   |         |        |  |  |  |  |
|      | Z228405 | Indicador analogico Fahrenheit    |       | 2       | 2   |         |        |  |  |  |  |
|      | Z263002 | Vaina para sonda ( tanque )       |       | 1       | 1   |         |        |  |  |  |  |
|      | Q306024 | Arandela junta Ø18xØ12,5x1,5      |       | 1       | 1   |         |        |  |  |  |  |
|      | Q162070 | Tuerca exagonal M-12              |       | 1       | 1   |         |        |  |  |  |  |
|      | Z203511 | Bomba de lavado 60 Hz.            |       | 1       | 1   |         |        |  |  |  |  |
|      | Z223501 | Bomba de desagüe 60 Hz.           |       | 1       | 1   |         |        |  |  |  |  |
|      | Z218424 | Puerta deposito completa          |       | 1       | 1   |         |        |  |  |  |  |
|      | Q013023 | Tornillo exagonal M-4x20          |       | 2       | 2   |         |        |  |  |  |  |
|      | Z208432 | Folleto de instrucciones          |       | 1       | 1   |         |        |  |  |  |  |
|      | R696507 | Etiqueta de precaucion            |       | 1       | 1   |         |        |  |  |  |  |
|      | R726512 | Etiqueta advertencia legal        |       | 1       | 1   |         |        |  |  |  |  |
|      | Z228435 | Etiqueta conexiones               |       | 1       | -   |         |        |  |  |  |  |
|      | Z258435 | Etiqueta conexiones               |       | -       | 1   |         |        |  |  |  |  |
|      | Z718434 | Etiqueta seguridad electrica      |       | 1       | 1   |         |        |  |  |  |  |



# Зип Общепит

vsezip.ru

+7(812)987-08-81

| MOD. | LAVAVAJILLAS FRONTAL | ZONA                              | PIEZAS ESPECIFICAS ( MF-48, MF-64<br>( 208 - 240 V. , II , 60 Hz. ) |       |        |       |        |  |  |  |  |
|------|----------------------|-----------------------------------|---|-------|--------|-------|--------|--|--|--|--|
| ITEM | CODIGO               | DENOMINACION                      | TEXTO   | MF-48 | FI-48B | MF-64 | FI-64B |  |  |  |  |
|      | Z228501              | Embellecedor adhesivo MF          |   | 1     | -      |       |        |  |  |  |  |
|      | Z258501              | Embellecedor adhesivo MF          |   | -     | 1      |       |        |  |  |  |  |
|      | Z228412              | Programador ciclo 60 Hz. T. Stop  |   | 1     | -      |       |        |  |  |  |  |
|      | Z258412              | Programador ciclo 60 Hz. T. Stop  |   | -     | 1      |       |        |  |  |  |  |
|      | Z683087              | Contactador 3TF20 01-3AL2, 230 V. |   | 1     | 1      |       |        |  |  |  |  |
|      | Z408408              | Cable alimentacion USA            |   | 1     | -      |       |        |  |  |  |  |
|      | Z229011              | Cableado termo-stop               |   | 1     | -      |       |        |  |  |  |  |
|      | Z229009              | Cableado termo-stop               |   | -     | 1      |       |        |  |  |  |  |
|      | Z228407              | Esquema elect. montaje            |   | 1     | -      |       |        |  |  |  |  |
|      | Z258406              | Esquema elect. montaje            |   | -     | 1      |       |        |  |  |  |  |
|      | Z228402              | Esquema electrico adhesivo        |   | 1     | -      |       |        |  |  |  |  |
|      | Z258402              | Esquema electrico adhesivo        |   | -     | 1      |       |        |  |  |  |  |
|      | Z231105              | Valvula antirretorno              |   | 1     | 1      |       |        |  |  |  |  |
|      | Q307029              | Arandela junta Ø31xØ26,5x2        |   | 1     | 1      |       |        |  |  |  |  |
|      | R023025              | Contratuerca                      |   | 1     | 1      |       |        |  |  |  |  |
|      | Z228405              | Indicador analogico Fahrenheit    |   | 2     | 2      |       |        |  |  |  |  |
|      | Z263002              | Vaina para sonda ( tanque )       |   | 1     | 1      |       |        |  |  |  |  |
|      | Q306024              | Arandela junta Ø18xØ12,5x1,5      |   | 1     | 1      |       |        |  |  |  |  |
|      | Q162070              | Tuerca exagonal M-12              |   | 1     | 1      |       |        |  |  |  |  |
|      | Z203511              | Bomba de lavado 60 Hz.            |   | 1     | 1      |       |        |  |  |  |  |
|      | Z223501              | Bomba de desagüe 60 Hz.           |   | 1     | 1      |       |        |  |  |  |  |
|      | Z218424              | Puerta deposito completa          |   | 1     | 1      |       |        |  |  |  |  |
|      | Q013023              | Tornillo exagonal M-4x20          |   | 2     | 2      |       |        |  |  |  |  |
|      | Z208432              | Folleto de instrucciones          |   | 1     | 1      |       |        |  |  |  |  |
|      | R696507              | Etiqueta de precaucion            |   | 1     | 1      |       |        |  |  |  |  |
|      | R726512              | Etiqueta advertencia legal        |   | 1     | 1      |       |        |  |  |  |  |
|      | Z228435              | Etiqueta conexiones               |   | 1     | -      |       |        |  |  |  |  |
|      | Z258435              | Etiqueta conexiones               |   | -     | 1      |       |        |  |  |  |  |
|      | Z718434              | Etiqueta seguridad electrica      |   | 1     | 1      |       |        |  |  |  |  |

# Зип Общепит

vsezip.ru

ZONA

PIEZAS ESPECIFICAS ( MF-48, MF-64  
( 208 - 240 V. , II , 60 Hz. )

|      |                      |
|------|----------------------|
| MOD. | LAVAVAJILLAS FRONTAL |
|------|----------------------|

| ITEM | CODIGO  | DENOMINACION                   | TEXTO | MF-48  | MF-64  |  |  |  |  |
|------|---------|--------------------------------|-------|--------|--------|--|--|--|--|
|      |         |                                |       | FI-48B | FI-64B |  |  |  |  |
|      | Z228432 | Indicador características      |       | 1      | -      |  |  |  |  |
|      | Z258432 | Indicador características      |       | -      | 1      |  |  |  |  |
|      | R696509 | Nº de serie Market-Forge       |       | 1      | 1      |  |  |  |  |
|      | R696510 | Etiqueta control Market-Forge  |       | 1      | 1      |  |  |  |  |
|      | R696511 | Etiqueta embalage Market-Forge |       | 1      | 1      |  |  |  |  |
|      | R663070 | Boton de mando                 |       | 1      | 1      |  |  |  |  |
|      | Z650531 | Asa puerta                     |       | 1      | 1      |  |  |  |  |
|      | Z276105 | Pegatina conexión detergente   |       | 1      | 1      |  |  |  |  |
|      |         |                                |       |        |        |  |  |  |  |
|      |         |                                |       |        |        |  |  |  |  |
|      |         |                                |       |        |        |  |  |  |  |
|      |         |                                |       |        |        |  |  |  |  |
|      |         |                                |       |        |        |  |  |  |  |
|      |         |                                |       |        |        |  |  |  |  |
|      |         |                                |       |        |        |  |  |  |  |
|      |         |                                |       |        |        |  |  |  |  |
|      |         |                                |       |        |        |  |  |  |  |
|      |         |                                |       |        |        |  |  |  |  |
|      |         |                                |       |        |        |  |  |  |  |
|      |         |                                |       |        |        |  |  |  |  |
|      |         |                                |       |        |        |  |  |  |  |
|      |         |                                |       |        |        |  |  |  |  |
|      |         |                                |       |        |        |  |  |  |  |
|      |         |                                |       |        |        |  |  |  |  |
|      |         |                                |       |        |        |  |  |  |  |
|      |         |                                |       |        |        |  |  |  |  |
|      |         |                                |       |        |        |  |  |  |  |
|      |         |                                |       |        |        |  |  |  |  |
|      |         |                                |       |        |        |  |  |  |  |
|      |         |                                |       |        |        |  |  |  |  |
|      |         |                                |       |        |        |  |  |  |  |
|      |         |                                |       |        |        |  |  |  |  |
|      |         |                                |       |        |        |  |  |  |  |
|      |         |                                |       |        |        |  |  |  |  |
|      |         |                                |       |        |        |  |  |  |  |
|      |         |                                |       |        |        |  |  |  |  |
|      |         |                                |       |        |        |  |  |  |  |
|      |         |                                |       |        |        |  |  |  |  |
|      |         |                                |       |        |        |  |  |  |  |
|      |         |                                |       |        |        |  |  |  |  |
|      |         |                                |       |        |        |  |  |  |  |
|      |         |                                |       |        |        |  |  |  |  |
|      |         |                                |       |        |        |  |  |  |  |

# Зип Общепит

vsezip.ru

**PIEZAS ESPECIFICAS ( AUSTRALIA )**  
( 220/240 V. , 50 Hz. )

| MOD. | LAVAVAJILLAS FRONTAL |                                   | ZONA  |          |        |          |        |
|------|----------------------|-----------------------------------|-------|----------|--------|----------|--------|
| ITEM | CODIGO               | DENOMINACION                      | TEXTO | FI-48B-A | FI-48B | FI-64B-A | FI-64B |
|      | Z229001              | Embellecedor adhesivo             |       | 1        | -      |          |        |
|      | Z259001              | Embellecedor adhesivo             |       | -        | 1      |          |        |
|      | Z213002              | Programador ciclo                 |       | 1        | -      |          |        |
|      | Z243001              | Programador ciclo                 |       | -        | 1      |          |        |
|      | Z229011              | Cableado termo-stop               |       | 1        | 1      |          |        |
|      | Z229016              | Esquema electrico de montaje      |       | 1        | -      |          |        |
|      | Z258406              | Esquema electrico de montaje      |       | -        | 1      |          |        |
|      | Z229010              | Esquema electrico adhesivo        |       | 1        | -      |          |        |
|      | Z258402              | Esquema electrico adhesivo        |       | -        | 1      |          |        |
|      | Z231105              | Valvula antirretorno              |       | 1        | 1      |          |        |
|      | Q307029              | Arandela junta Ø31xØ26,5x2        |       | 1        | 1      |          |        |
|      | R023025              | Contratuerca                      |       | 1        | 1      |          |        |
|      | Z263001              | Indicador analogico               |       | 2        | 2      |          |        |
|      | Z263002              | Vaina para sonda ( tanque )       |       | 1        | 1      |          |        |
|      | Q306024              | Arandela junta Ø18xØ12,5x1,5      |       | 1        | 1      |          |        |
|      | Q162070              | Tuerca exagonal M-12              |       | 1        | 1      |          |        |
|      | Z683087              | Contactador 3TF20 01-3AL2, 230 V. |       | 1        | 1      |          |        |
|      | Q013023              | Tornillo exagonal M-4x20          |       | 4        | 4      |          |        |
|      | Z276105              | Pegatina conexión detergente      |       | 1        | 1      |          |        |
|      |                      |                                   |       |          |        |          |        |
|      |                      |                                   |       |          |        |          |        |
|      |                      |                                   |       |          |        |          |        |
|      |                      |                                   |       |          |        |          |        |
|      |                      |                                   |       |          |        |          |        |
|      |                      |                                   |       |          |        |          |        |
|      |                      |                                   |       |          |        |          |        |
|      |                      |                                   |       |          |        |          |        |
|      |                      |                                   |       |          |        |          |        |
|      |                      |                                   |       |          |        |          |        |
|      |                      |                                   |       |          |        |          |        |
|      |                      |                                   |       |          |        |          |        |
|      |                      |                                   |       |          |        |          |        |

# Зип Общепит

vsezip.ru

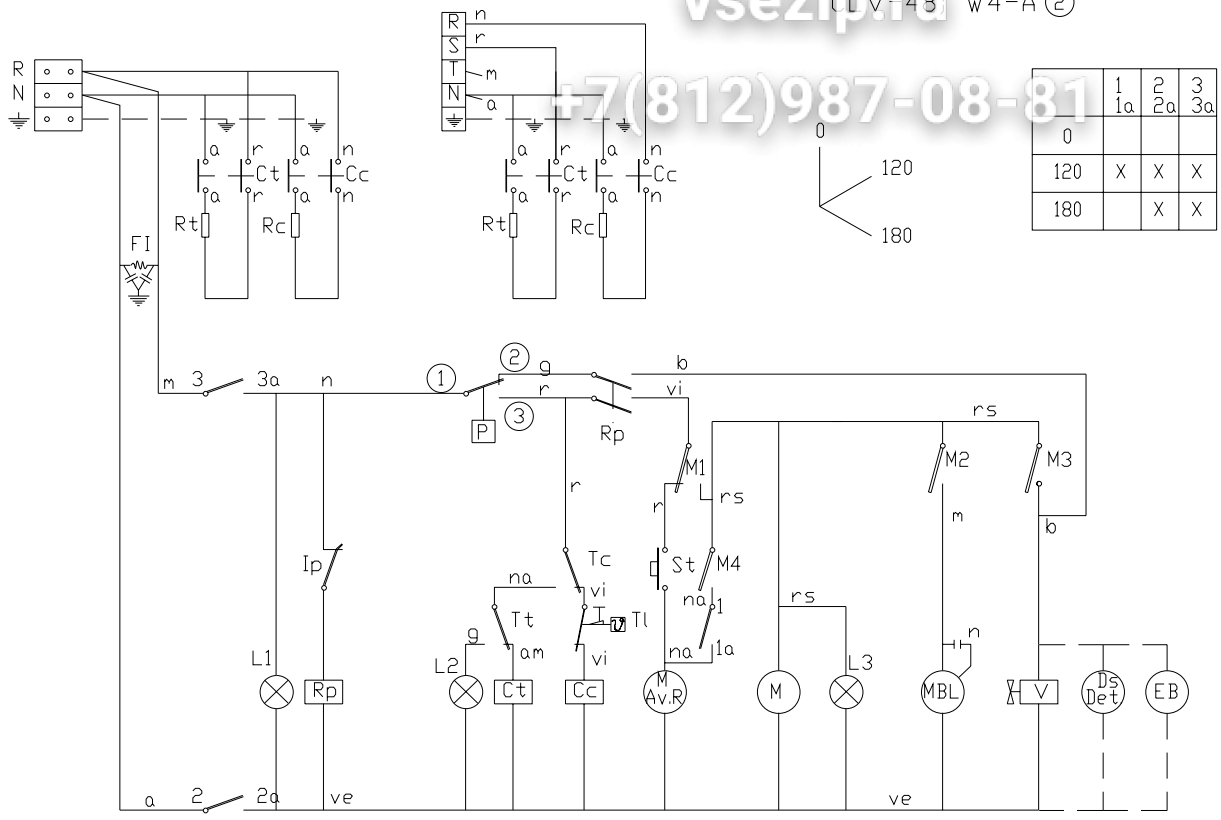
+7(812)987-08-81

1N + 240V.

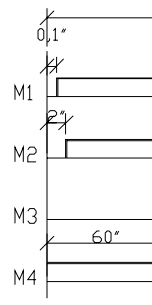
3N + 380 - 415 V.

Mod.: FI-48; A480; KM-48; FI-48 T ①

W4-A ②



|     |    |    |    |
|-----|----|----|----|
|     | 1  | 2  | 3  |
| 0   | 1a | 2a | 3a |
| 120 | X  | X  | X  |
| 180 |    | X  | X  |



**CODIGO DE COLORES:**  
 r = rojo-red-rouge  
 m = marron-brown-m  
 g = gris-grey-gris  
 n = negro-black-noir  
 a = azul-blue-bleu  
 b = blanco-white-blanc  
 vi = violeta-violette  
 am = amarillo-yellow-jaune  
 na = naranja-orange  
 rs = rosa-rose-pink  
 ve = verde-green-vert  
 am/ve = amarillo verde

- IG = Interruptor General
- L1 = Lampara de marcha
- Ip = Micro de puerta
- Rp = Relé puerta
- P = Presostato
- Tc = Termostato calderin
- Tt = Termostato tanque
- Tl = Termostato limitador de calderin
- Cc = Contactor calderin
- Ct = Contactor tanque
- L2 = Lampara máquina preparada
- Rc = Resistencia calderin
- St = Pulsador de marcha
- FI = Filtro de interferencias

- Rt = Resistencia tanque
- M.A.v.R = Motor programador Avance Rápido
- M = Motor programador
- M1 = Micro programador marcha
- M2 = Micro programador lavado
- M3 = Micro programador aclarado
- M4 = Micro programador Avance 120°
- L3 = Lámpara de ciclo
- MBL = Motobomba lavado
- C = Condensador de motobomba
- V = Válvula de llenado y aclarado
- Ds Det = Dosificador de detergente (opcional)
- EB = Electrobomba de presión (opcional)

|  |                                  |                        |
|--|----------------------------------|------------------------|
| Esquema teórico adhesivo                                   |                                  | Papel adhesivo         |
| N°   | Pieza                            | Cant. Material         |
| N°   | Modificación                     | Propuesta de           |
| ①  | Introducir denominación FI-48 T  | Palacio                |
| ②  | Introducir modelos CORECO Y W4-A | Palacio                |
| Firma  |                                  | Fecha                  |
| Dibujado S. N.   |                                  | 27-9-95                |
| Proyectado   |                                  | FAGOR                  |
| Comprobado   |                                  |                        |
| Escala   |                                  | Fagor Industrial, Koop |
| <b>LAVAVAJILLAS</b>  |                                  |                        |
| Plano hau ez daiteke erabil ez berrizta gure baimeniz gabe |                                  |                        |

# Зип Общепит

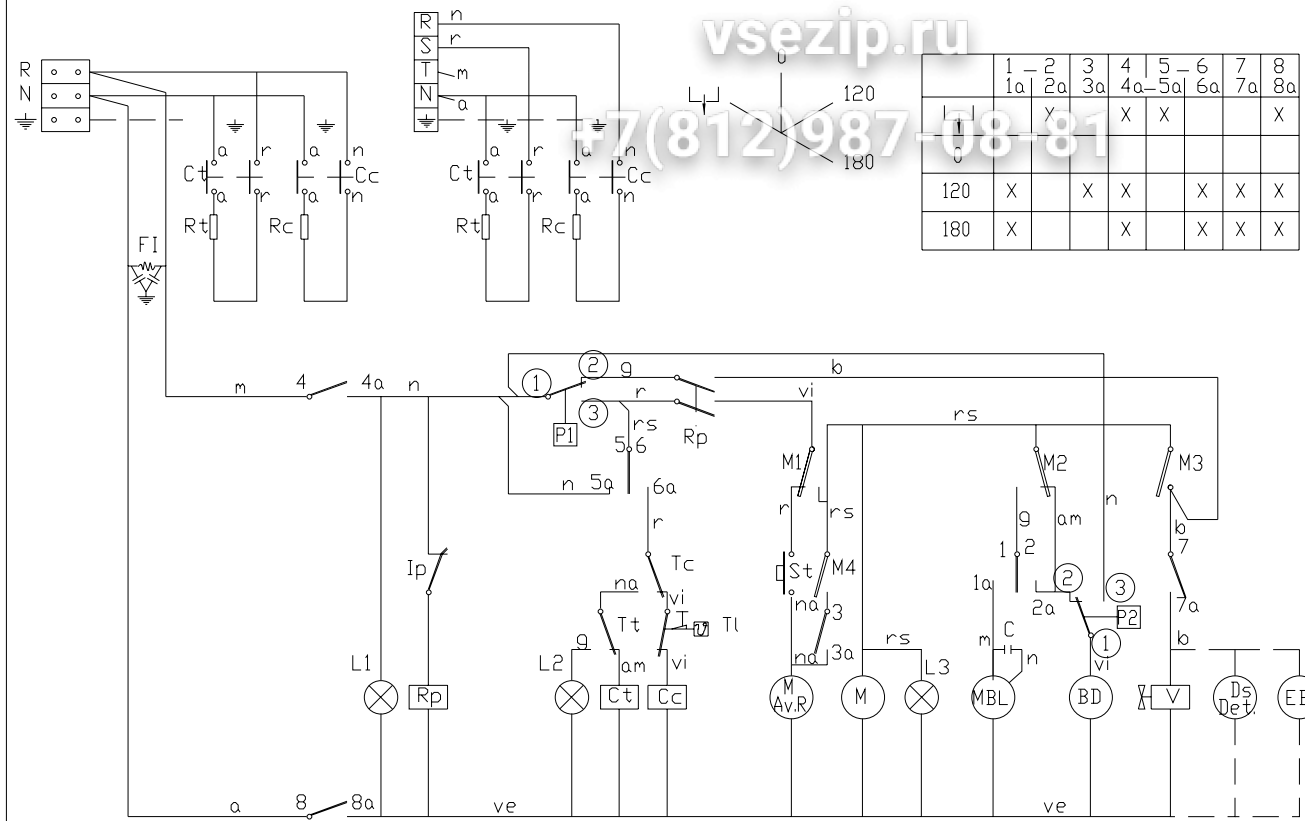
vsezip.ru

+7(812)987-08-81

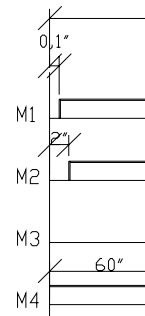
1N + 240V.

3N + 380 - 415 V.

Mod.: FI-48 B; A480 B; CLV-48-B<sup>(1)</sup>



|     |     |    |    |       |    |    |    |
|-----|-----|----|----|-------|----|----|----|
|     | 1-2 | 3  | 4  | 5-6   | 7  | 8  |    |
|     | 1a  | 2a | 3a | 4a-5a | 6a | 7a | 8a |
| 120 | X   |    | X  | X     | X  | X  | X  |
| 180 | X   |    | X  | X     | X  | X  | X  |



**CODIGO DE COLORES**  
 r = rojo-red-red  
 m = marron-brown  
 g = gris-grey-grey  
 n = negro-black  
 a = azul-blue-blue  
 b = blanco-white  
 vi = violeta-violet  
 am = amarillo-yellow  
 na = naranja-orange  
 rs = rosa-rose  
 ve = verde-green  
 am/ve = amarillo/verde

- Ig = Interruptor General
- L1 = Lampara de marcha
- Ip = Micro de puerta
- Rp = Relé puerta
- P1 = Presostato
- Tc = Termostato calderin
- Tt = Termostato tanque
- Tl = Termostato limitador de calderin
- Cc = Contactor calderin
- Ct = Contactor tanque
- L2 = Lampara máquina preparada
- Rc = Resistencia calderin
- St = Pulsador de marcha
- FI = Filtro de interferencias
- BD = Bomba de Desagüe

- Rt = Resistencia tanque
- M.Av.R = Motor programador Avance Rápido
- M = Motor programador
- M1 = Micro programador marcha
- M2 = Micro programador lavado
- M3 = Micro programador aclarado
- M4 = Micro programador Avance 120"
- L3 = Lámpara de ciclo
- MBL = Motobomba lavado
- C = Condensador de motobomba
- V = VALvula de llenado y aclarado
- Ds Det = Dosificador de detergente (opcional)
- P2 = Presostato de seguridad
- EB = Electrobomba de presión (opcional)

|  |                          |                |
|--|--------------------------|----------------|
| Esquema teorico adhesivo                                   |                          | Papel adhesivo |
| N°   | Pieza                    | Cant. Material |
| N°   | Modificacion             | Propuesta de   |
| (1)  | Introducir modelo CORECO | Palacio        |
| Firma  |                          | Fecha          |
| Dibujado   |                          | S. N.          |
| Proyectado   |                          | 27-9-95        |
| Comprobado   |                          |                |
| Escala   |                          |                |
| <b>FAGOR</b>   |                          |                |
| Fagor Industrial, K...                                     |                          |                |
| <b>LAVAVAJILLAS</b>  |                          |                |
| Plano hau ez daiteke erabil ez berritza gure baimeniz gabe |                          |                |



# Зип Общепит

vsezip.ru

+7(812)987-08-81

Mod.: FI - 64

FI - 72

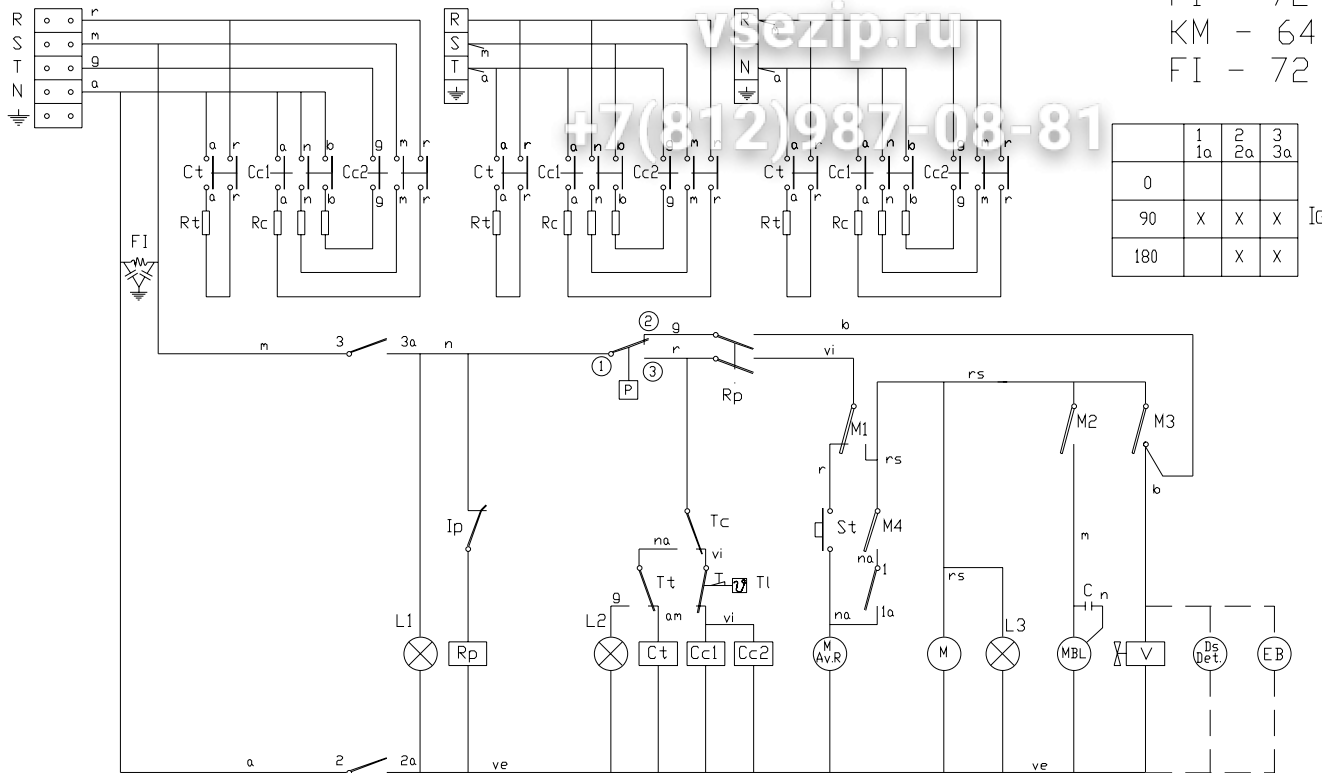
KM - 64

FI - 72 ①

3N ÷ 380/415V.

3 ÷ 220V.

1N ÷ 220 V./ 1N ÷ 240V.



|     |         |         |         |    |
|-----|---------|---------|---------|----|
|     | 1<br>1a | 2<br>2a | 3<br>3a |    |
| 0   | X       | X       | X       | IG |
| 90  | X       | X       | X       |    |
| 180 |         | X       | X       |    |

CODIGO DE CO  
 r = rojo-red  
 m = marron-k  
 g = gris-grey  
 n = negro-bl  
 a = azul-blue  
 b = blanco-w  
 vi = violeta-v  
 am = amarillo  
 rs = rosa-ro  
 ve = verde-g  
 am/ve = amar

NOTA  
 - F  
 - G  
 - D  
 - N

IG = Interruptor General

L1 = Lampara de marcha

Ip = Micro de puerta

Rp = Relé puerta

P = Presostato

Tc = Termostato calderin

Tt = Termostato tanque

Tl = Termostato limitador de calderin

Cc1, Cc2 = Contactor calderin

Ct = Contactor tanque

L2 = Lampara máquina preparada

Rc = Resistencia calderin

St = Pulsador de marcha

FI = Filtro de interferencias

Rt = Resistencia tanque

M.Av.R = Motor programador Avance Rápido

M = Motor programador

M1 = Micro programador marcha

M2 = Micro programador lavado

M3 = Micro programador aclarado

M4 = Micro programador Avance 90°

L3 = Lámpara de ciclo

MBL = Motobomba lavado

C = Condensador de motobomba

V = Válvula de llenado y aclarado

Ds Det = Dosificador de detergente (opcional)

EB = Electrobomba de presifón (opcional)

|   |                                 |                           |
|---|---------------------------------|---------------------------|
| Esquema teorico adhesivo                                    |                                 | Papel adhesivo            |
| Nº  | Pieza                           | Cant. Material            |
| Nº  | Modificación                    | Propuesta de              |
| ①   | Introducir denominación FI-72 T | Palacio                   |
| Firma   |                                 |                           |
| S. N.   |                                 | Fecha                     |
| 28-9-95   |                                 |                           |
| Dibujado  |                                 | <br>Fagor Industrial, Koo |
| Proyectado  |                                 |                           |
| Comprobado  |                                 |                           |
| Escala  |                                 |                           |
| <b>LAVAVAJILLAS</b>   |                                 |                           |
| Plano hau ez daiteke erabil ez berzizta gure boizenizt gobe |                                 |                           |

# Зип Общепит

vsezip.ru

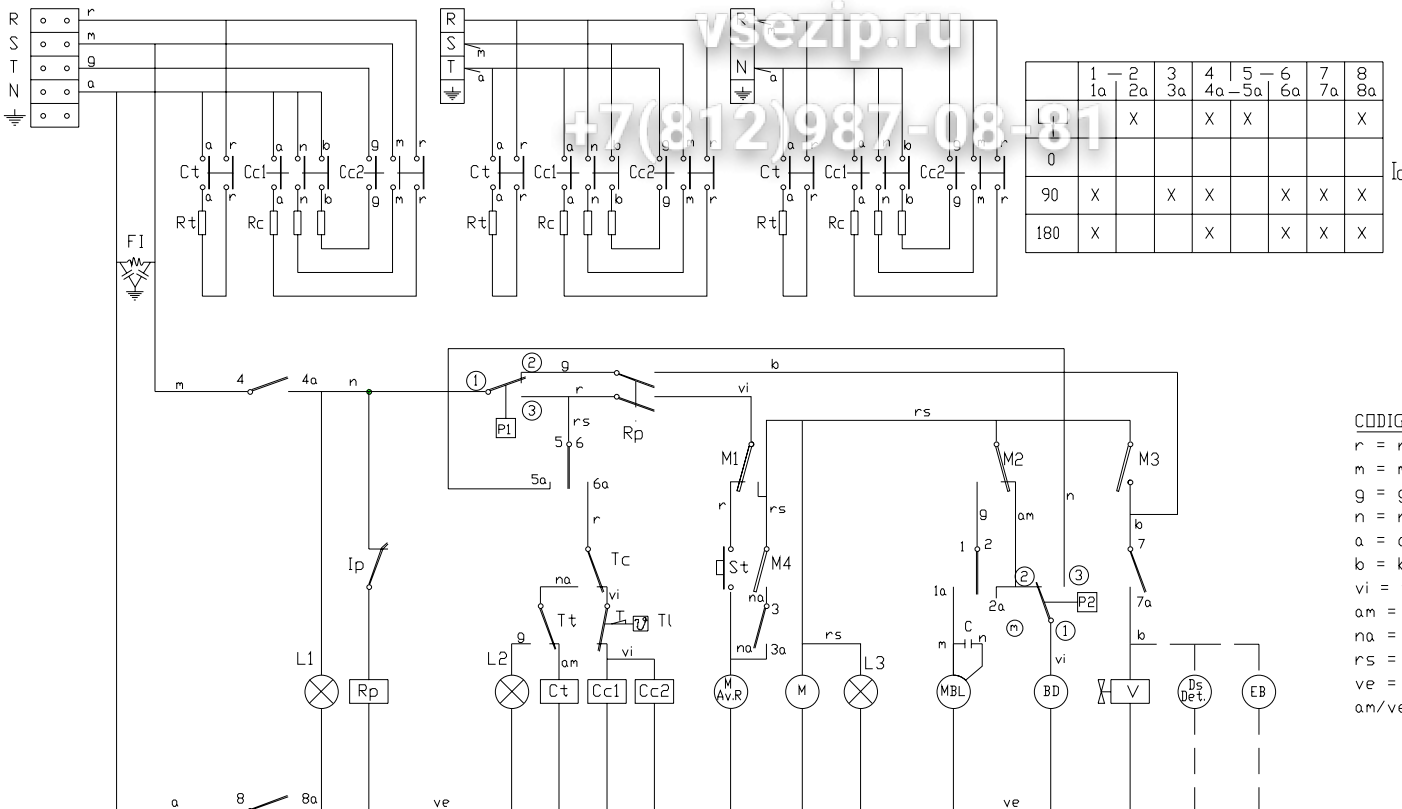
+7(812)987-08-81

3N ÷ 380/415V.

3 ÷ 220V.

1N ÷ 220 V./ 1N ÷ 240V.

FI - 64 B



|     |         |         |         |         |         |         |         |         |
|-----|---------|---------|---------|---------|---------|---------|---------|---------|
|     | 1<br>1a | 2<br>2a | 3<br>3a | 4<br>4a | 5<br>5a | 6<br>6a | 7<br>7a | 8<br>8a |
| L   |         | X       |         | X       | X       |         |         | X       |
| 0   |         |         | X       | X       |         | X       | X       | X       |
| 90  | X       |         | X       | X       |         | X       | X       | X       |
| 180 | X       |         | X       | X       |         | X       | X       | X       |

### CODIGO DE COLOR

- r = rojo-red-rojo
- m = marron-brown
- g = gris-grey-grey
- n = negro-black
- a = azul-blue-blue
- b = blanco-white
- vi = violeta-violet
- am = amarillo-yellow
- na = naranja-orange
- rs = rosa-rose
- ve = verde-green
- am/ve = amarillo-verde

I<sub>G</sub> = Interruptor General

L1 = Lampara de marcha

I<sub>p</sub> = Micro de puerta

R<sub>p</sub> = Relé puerta

P1 = Presostato

T<sub>c</sub> = Termostato calderin

T<sub>t</sub> = Termostato tanque

T<sub>l</sub> = Termostato limitador de calderin

Cc1, Cc2 = Contactor calderin

Ct = Contactor tanque

L2 = Lampara máquina preparada

Rc = Resistencia calderin

St = Pulsador de marcha

FI = Filtro de interferencias

BD = Bomba de Desagie

R<sub>t</sub> = Resistencia tanque

M.Av.R = Motor programador Avance RÁpido

M = Motor programador

M1 = Micro programador marcha

M2 = Micro programador lavado

M3 = Micro programador aclarado

M4 = Micro programador Avance 90°

L3 = Lámpara de ciclo

MBL = Motobomba lavado

C = Condensador de motobomba

V = Válvula de llenado y aclarado

Ds Det = Dosificador de detergente (opcional)

P2 = Presostato de seguridad

EB = Electrobomba de presión (opcional)

|   |              |                        |          |
|---|--------------|------------------------|----------|
| Esquema teorico adhesivo                                    |              | Papel adhesivo         |          |
| N°  | Pieza        | Cant.                  | Material |
| N°  | Modificacion | Propuesta de           |          |
| Firma   |              | Fecha                  |          |
| Dibujado  |              | S. N.                  |          |
| Proyectado  |              | 28-9-95                |          |
| Comprobado  |              | Fagor Industrial, Koop |          |
| Escala  |              | LAVAVAJILLAS           |          |
| Plano hau ez daiteke erabil ez berrizta gure bainemitz gabe |              |                        |          |

# Зип Общежит

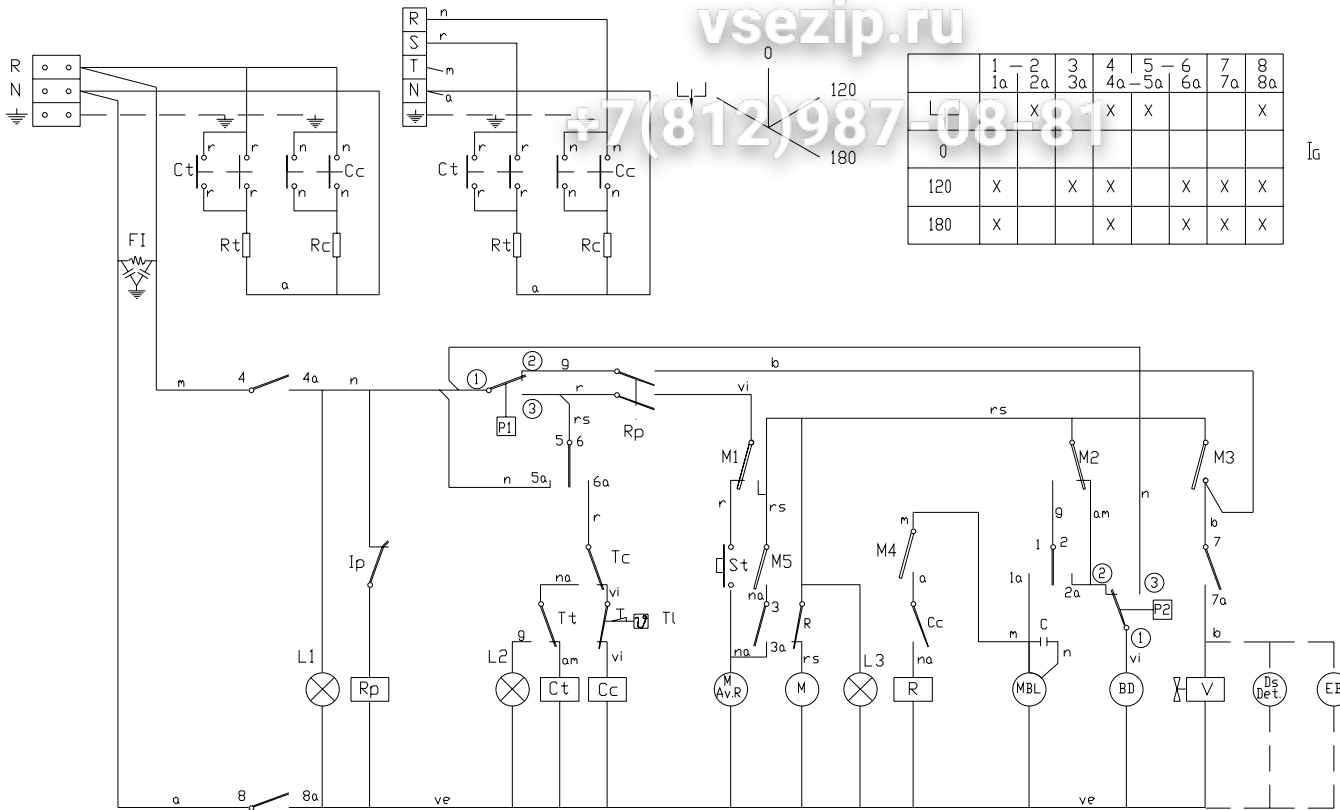
FI - 48 B SHARPLINE

vsezip.ru

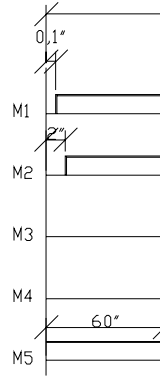
+7(812)987-08-81

1N ÷ 240V.

3N ÷ 380 - 415 V.



|     |       |    |    |         |    |    |
|-----|-------|----|----|---------|----|----|
|     | 1 - 2 | 3  | 4  | 5 - 6   | 7  | 8  |
|     | 1a    | 2a | 3a | 4a - 5a | 6a | 7a |
| L   | X     |    | X  | X       |    | X  |
| 0   |       |    |    |         |    |    |
| 120 | X     |    | X  |         | X  | X  |
| 180 | X     |    | X  |         | X  | X  |



**CODIGO DE**  
 r = rojo-rojo  
 m = marron  
 g = gris-gris  
 n = negro  
 a = azul-azul  
 b = blanco  
 vi = violeta  
 am = amarillo  
 na = naranja  
 rs = rosa  
 ve = verde  
 am/ve = anaranjado/verde

**NOTAS.-**  
 - Fondo  
 - Graba  
 - Dimens  
 - N° Cla

- I<sub>G</sub> = Interruptor General
- L1 = Lampara de marcha
- Ip = Micro de puerta
- Rp = Relé puerta
- P1 = Presostato
- Tc = Termostato calderin
- Tt = Termostato tanque
- Tl = Termostato limitador de calderin
- Cc = Contactor calderin
- Ct = Contactor tanque
- L2 = Lampara máquina preparada
- Rc = Resistencia calderin
- St = Pulsador de marcha
- FI = Filtro de interferencias
- BD = Bomba de Desagie
- R = Relé termo-stop

- Rt = Resistencia tanque
- M.Av.R = Motor programador Avance Rápido
- M = Motor programador
- M1 = Micro programador marcha
- M2 = Micro programador lavado
- M3 = Micro programador aclarado
- M4 = Micro programador impulso dosif. abrillantado
- M5 = Micro programador Avance 120"
- L3 = Lámpara de ciclo
- MBL = Motobomba lavado
- C = Condensador de motobomba
- V = Válvula de llenado y aclarado
- Ds Det = Dosificador de detergente (opcional)
- P2 = Presostato de seguridad
- EB = Electrobomba de presifón (Opcional)

|  |              |                |
|--|--------------|----------------|
| Esquema teorico adhesivo                                     |              | Papel adhesivo |
| N°   | Pieza        | Cant. Material |
| N°   | Modificacion | Propuesta de   |
| Firma  |              | Fecha          |
| S. N.  |              | 9-1-98         |
| Proyectado   |              | FAGOR          |
| Comprobado   |              |                |
| Escala   |              |                |
| <b>LAVAVAJILLAS</b>  |              |                |
| Plano hau ez daiteke erabili ez berrizta gure bainemitz gabe |              |                |

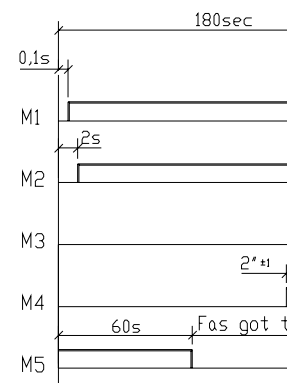
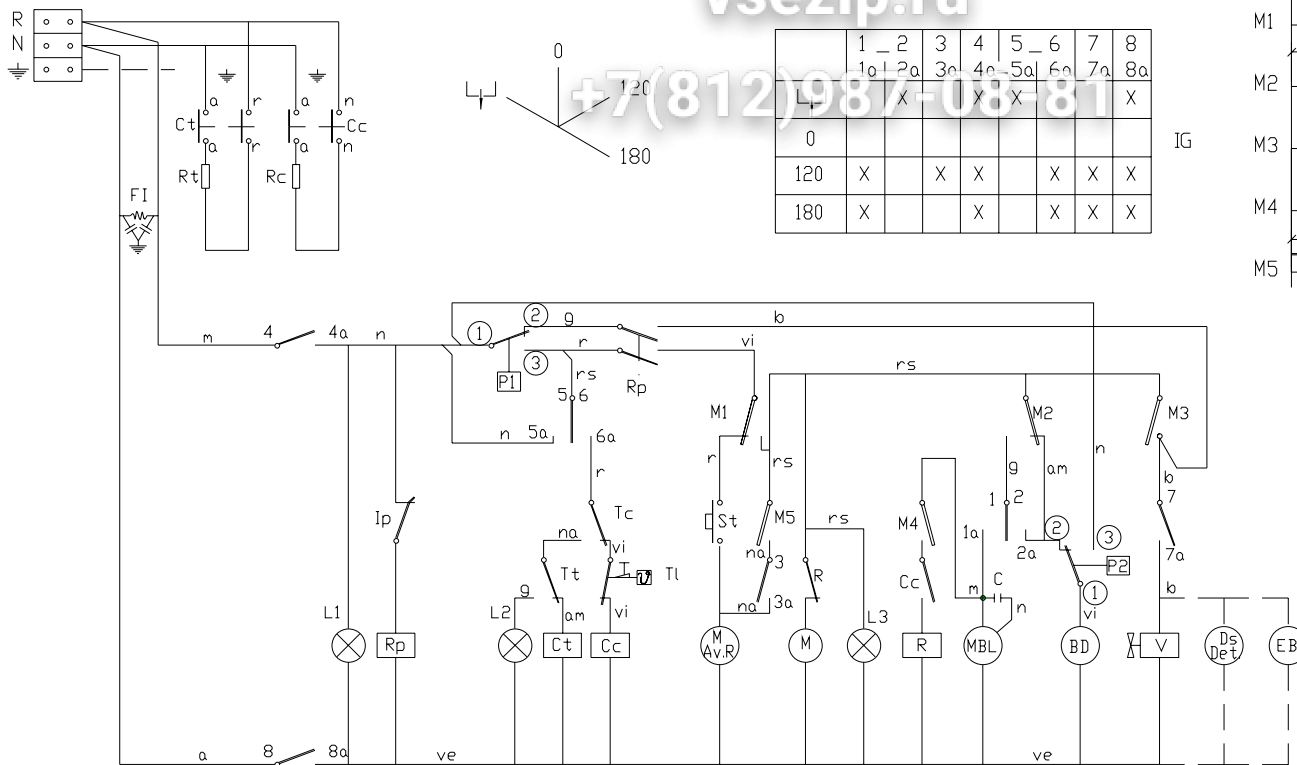
# Зип Общепит

Mods.: FI-48 W ; MF-48

vsezip.ru

+7(812)987-08-81

208-220-240 V. 1Ph



Colours code-Code  
 r = red-rouge-rouge  
 m = brown-marron  
 g = grey-gris-gris  
 n = black-noir-ner  
 a = blue-bleu-azu  
 b = white-blanc-bl  
 vi = violette-viole  
 am = yellow-jaune  
 na = orange-oran  
 rs = rose-pink-ro  
 ve = green-vert-ve  
 am/ve = yellow gr

|                              |                                     |                                  |  |   |             |
|------------------------------|-------------------------------------|----------------------------------|--|---|-------------|
| IG = General switch          | Interrupteur general                | Interruptor General              | Rt = Tank heating element                | Resistance de cuve                      | Resistencia |
| L1 = On lamp                 | T&Ain de marche                     | Lampara de marcha                | M.A.V.R = Motor programmer rapid advance | Moteur du programm. d'avancement rapide | Motor prog  |
| Ip = Door micro              | Micro de porte                      | Micro de puerta                  | M = Motor programmer                     | Moteur du programmeur                   | Motor prog  |
| Rp = Door relay              | Relais de porte                     | Rel&A puerta                     | M1 = Micro programmer on                 | Micro du programm. de marche            | Micro prog  |
| PI = Pressure switch         | Presostat                           | Presostato                       | M2 = Micro programmer wash               | Micro du programm. de lavage            | Micro prog  |
| Tc = Drum thermostat         | Thermostat du surchauffeur          | Termostato calderin              | M3 = Micro programmer rinse              | Micro du programm. de rincage,          | Micro prog  |
| Tt = Tank thermostat         | Thermostat de cuve                  | Termostato tanque                | M4 = Micro programmer Thermo-Stop        | Micro du programador Thermo-Stop        | Micro prog  |
| Tl = Drum limiter thermostat | Thermostat limiteur du surchauffeur | Termostato limitador de calderin | M5 = Micro programmer 120' advance       | Micro programador Avance 120'           | Micro prog  |
| Cc = Drum contactor          | Contacteur du surchauffeur          | Contactor calderin               | L3 = Cycle light                         | T&Ain de cycle                          | L&Ampara de |
| Rc = Drum heating element    | Resistance du surchauffeur          | Resistencia calderin             | MBL = Motor pump wash                    | Motobpompe de lavage                    | Motobomba   |
| St = Start button            | Bouton de marche                    | Pulsador de marcha               | C = Motor pump condenser                 | Condensateur de la motopompe            | Condensad   |
| FI = Interferences filter    | Filtre d'interferences              | Filtro de interferencias         | V = Filling and rinsing valve            | Valve de remplisage et de vidange       | VALVula de  |
| BD = Drain pump              | Pompe de vidange                    | Bomba de Desagie                 | Ds Det = Detergent dispenser (Optional)  | Doseur de detergent (Option)            | Dosificador |
|                              |                                     |                                  | P2 = Safety pressure switch              | Presostat de s&Acurit&A                 | Presostat   |
|                              |                                     |                                  | EB = Electric pressure pump (Optional)   | Electropompe de pression (Option)       | Electrobron |

# Зип Общепит

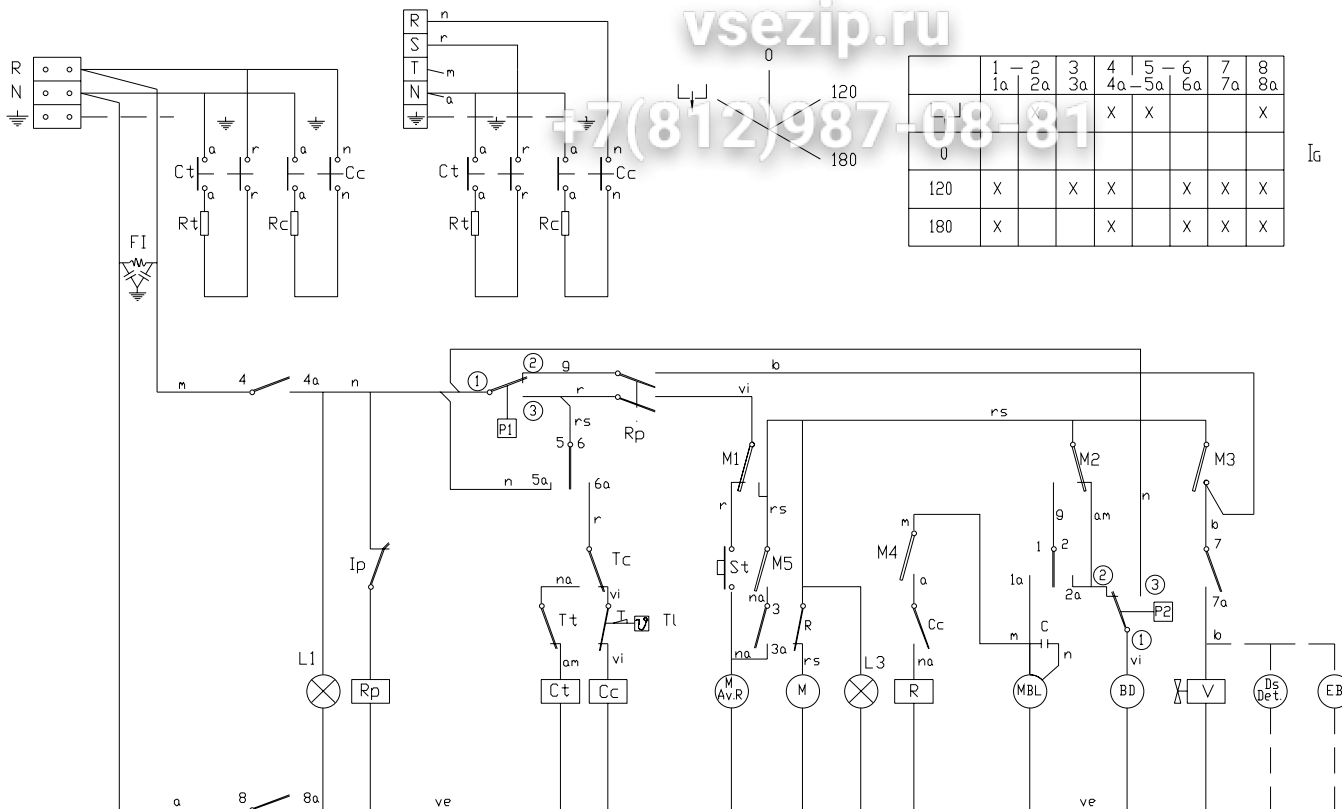
FI - 48-B-A

vsezip.ru

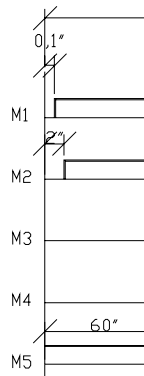
+7(812)987-08-81

1N + 240V.

3N + 380 - 415 V.



|     |      |      |      |      |      |      |      |      |
|-----|------|------|------|------|------|------|------|------|
|     | 1-1a | 2-2a | 3-3a | 4-4a | 5-5a | 6-6a | 7-7a | 8-8a |
| 0   | X    |      | X    | X    |      | X    | X    | X    |
| 120 | X    |      | X    | X    |      | X    | X    | X    |
| 180 | X    |      | X    | X    |      | X    | X    | X    |



**CODIGO DE**  
 r = rojo  
 m = marrón  
 g = gris  
 n = negro  
 a = azul  
 b = blanco  
 vi = violeta  
 am = amarillo  
 na = naranja  
 rs = rosa  
 ve = verde  
 am/ve = ...

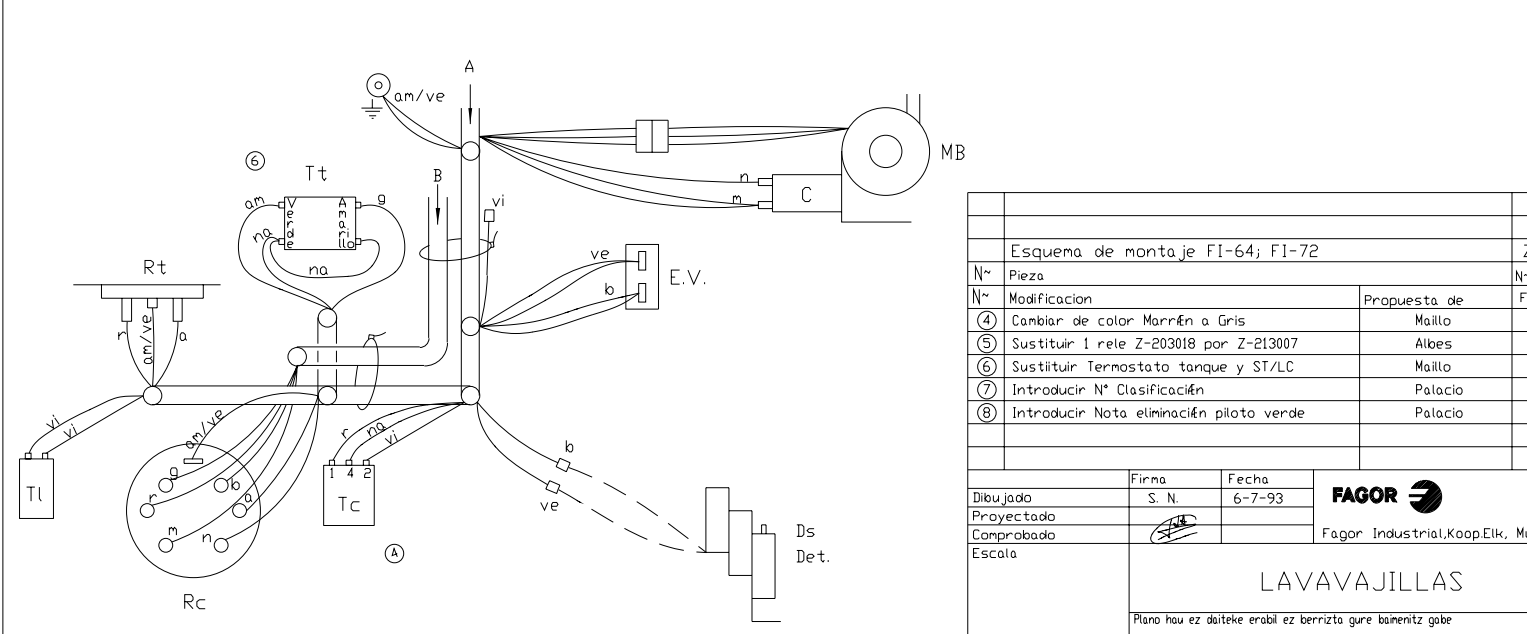
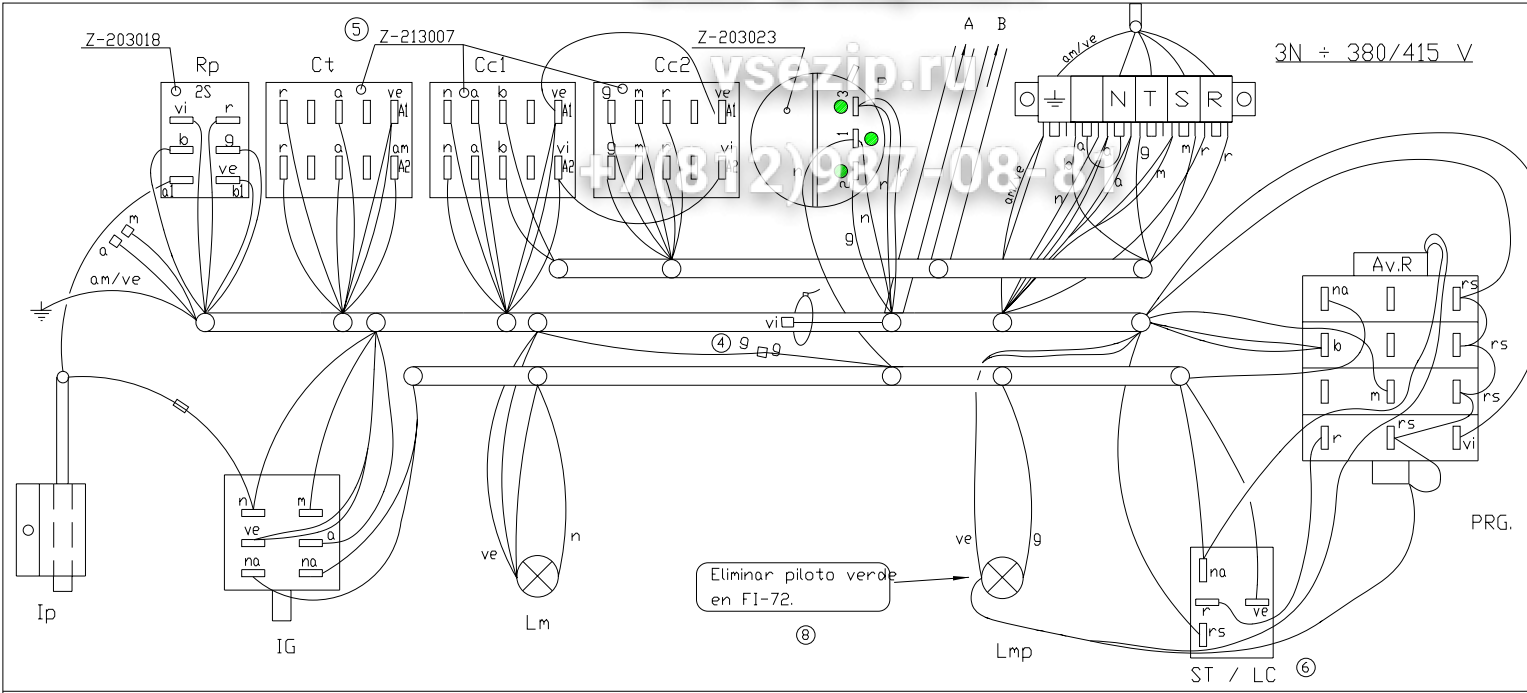
**NOTAS:**  
 - Fondo  
 - Grak  
 - Dimer  
 - N° C

- IG = Interruptor General
- L1 = Lampara de marcha
- Ip = Micro de puerta
- Rp = Relé puerta
- P1 = Presostato
- Tc = Termostato calderin
- Tt = Termostato tanque
- Tl = Termostato limitador de calderin
- Cc = Contactor calderin
- Ct = Contactor tanque
- L2 = Lampara máquina preparada
- Rc = Resistencia calderin
- St = Pulsador de marcha
- FI = Filtro de interferencias
- BD = Bomba de Desagüe
- R = Relé termo-stop

- Rt = Resistencia tanque
- M.Av.R = Motor programador Avance Rápido
- M = Motor programador
- M1 = Micro programador marcha
- M2 = Micro programador lavado
- M3 = Micro programador aclarado
- M4 = Micro programador impulso dosif. abrigillatado
- M5 = Micro programador Avance 120°
- L3 = Lámpara de ciclo
- MBL = Motobomba lavado
- C = Condensador de motobomba
- V = VALVULA de llenado y aclarado
- Ds Det = Dosificador de detergente (opcional)
- P2 = Presostato de seguridad
- EB = Electrobomba de presión (Opcional)

|  |                    |                      |
|--|--------------------|----------------------|
| Esquema teorico adhesivo                                   |                    | Papel adhe           |
| N°   | Pieza              | Cant. Material       |
| N°   | Modificacion       | Propuesta de         |
| ①  | Eliminar Piloto L2 | J.M.P.               |
| Firma  |                    | Fecha                |
| Dibujado S. N.   |                    | 28-9-95              |
| Proyectado   |                    | Fagor Industrial, Ko |
| Comprobado   |                    |                      |
| Escala   |                    |                      |
| <b>LAVAVAJILLAS</b>  |                    |                      |
| Plano hau ez daiteke erabil ez berrizta gure bainentz gabe |                    |                      |

# Зип Общежит

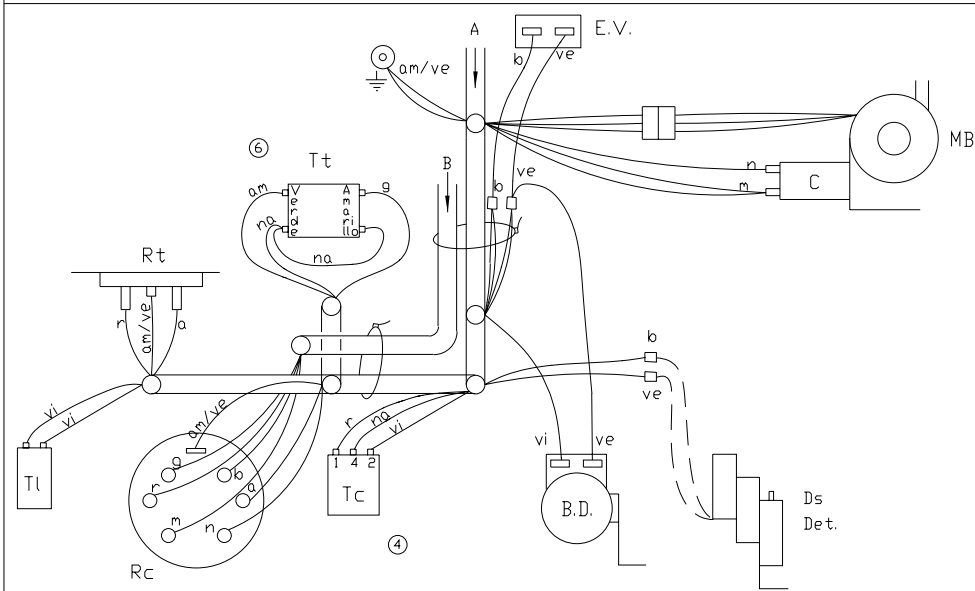
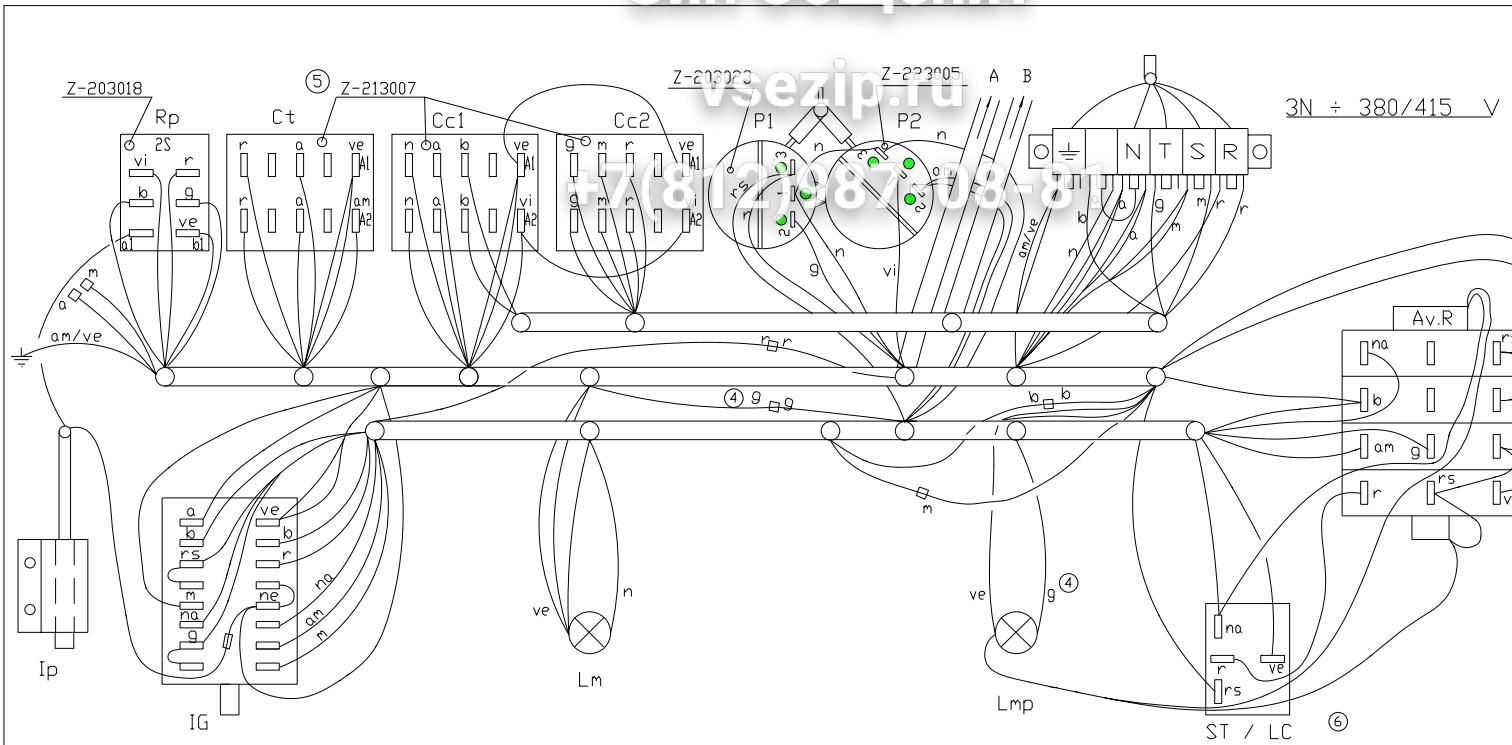


| Esquema de montaje FI-64; FI-72 |  |         |
|---------------------------------|--|---------|
| Nº                              | Pieza                                    | Nº      |
| ④                               | Cambiar de color Marrón a Gris           | Maíto   |
| ⑤                               | Sustituir 1 rele Z-203018 por Z-213007   | Albes   |
| ⑥                               | Sustituir Termostato tanque y ST/LC      | Maíto   |
| ⑦                               | Introducir N° Clasificación              | Palacio |
| ⑧                               | Introducir Nota eliminación piloto verde | Palacio |

| Firma      |  | Fecha                          |  |
|------------|--|--------------------------------|--|
| S. N.      |  | 6-7-93                         |  |
| Dibujado   |  | FAGOR                          |  |
| Proyectado |  | Fagor Industrial, Koop, Elk, M |  |
| Comprobado |  |                                |  |
| Escola     |  |                                |  |

LAVAVAJILLAS

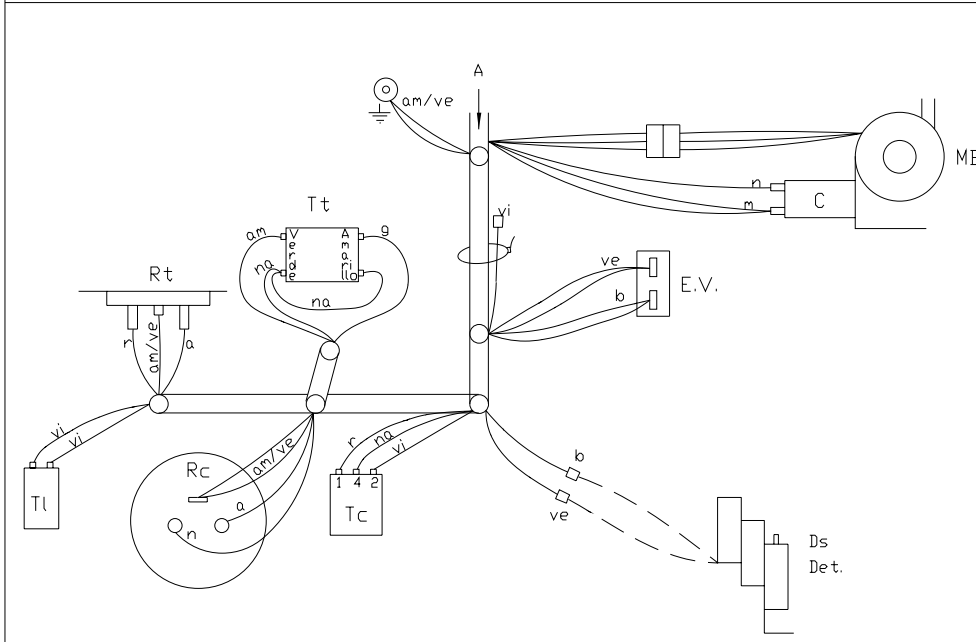
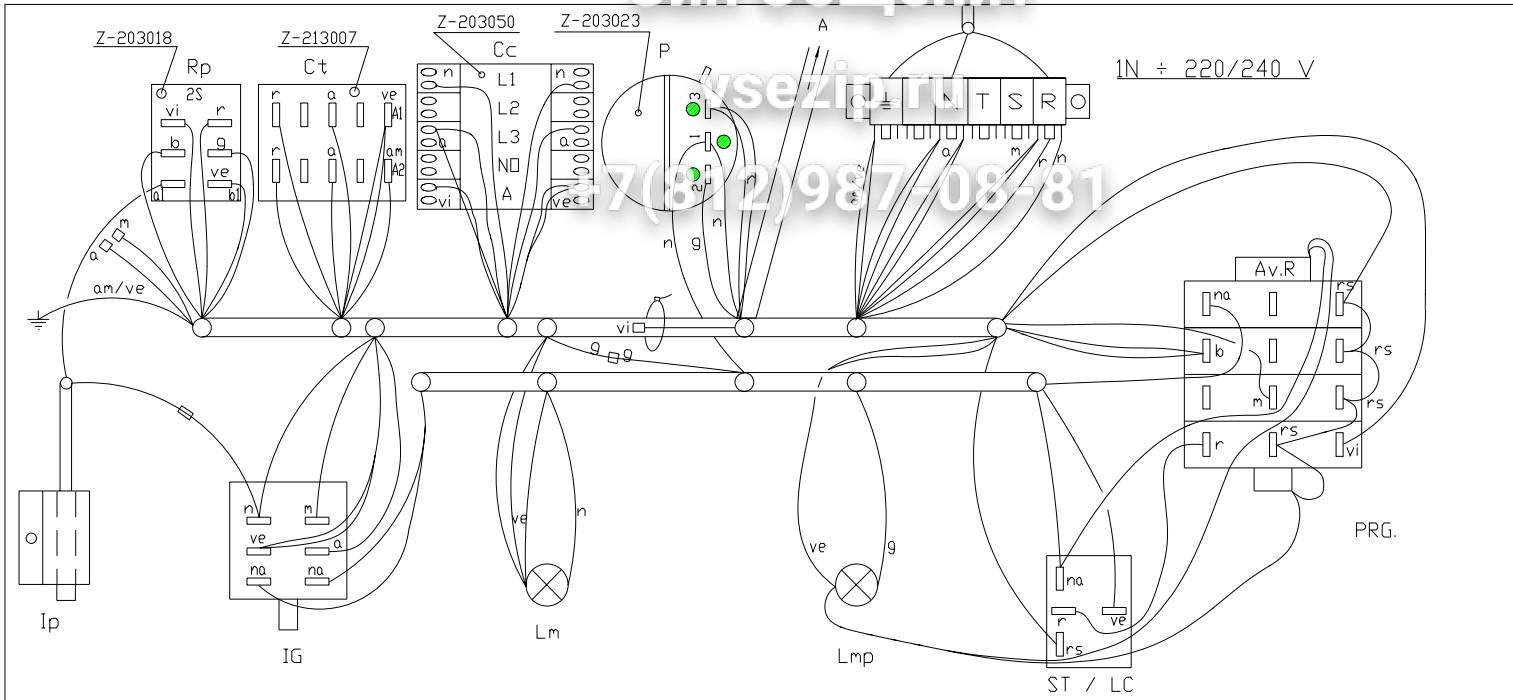
Plano hau ez daiteke erabili ez berritza gure baitenitz gobe



| Esquema de montaje FI-64 B                                 |  |         |                                  |
|--|--|---------|----------------------------------|
| Nº   | Pieza  | Cant.   | Material                         |
| Nº   | Modificación   |         | Propuesta de                     |
| ⑥  | Sustituir Termostato tanque y ST/LC                                |         | Maillo                           |
| ⑦  | Introducir N° Clasificación  |         | Palacio                          |
| ③  | Introd. versión IN:220V, pasar colores gris y marrón a rojo y rojo |         | Albes                            |
| ④  | Cambiar de color Marrón a Gris                                     |         | Maillo                           |
| ⑤  | Sustituir 1 relé Z-203018 por Z-213007                             |         | Albes                            |
| Dibujado   | Firma  | Fecha   | <br>Fagor Industrial, Koop. Elk. |
| Proyectado   | S. N.  | 12-7-93 |                                  |
| Comprobado   |  |         |                                  |
| Escala   |  |         |                                  |
| <b>LAVAVAJILLAS</b>  |  |         |                                  |
| Plano hau ez duteke erabil ez berrizta gure baimenitz gabe |  |         |                                  |

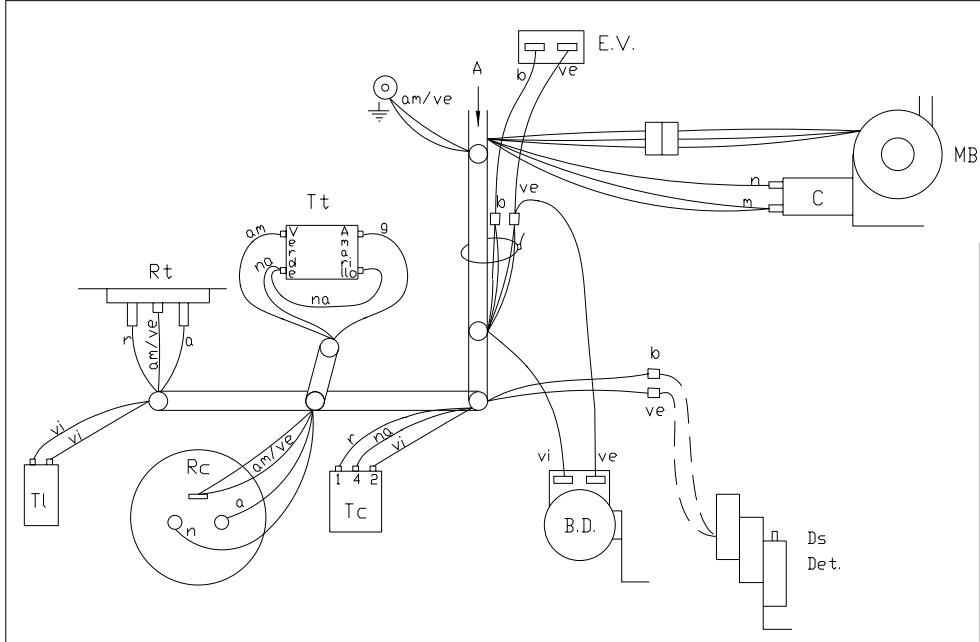
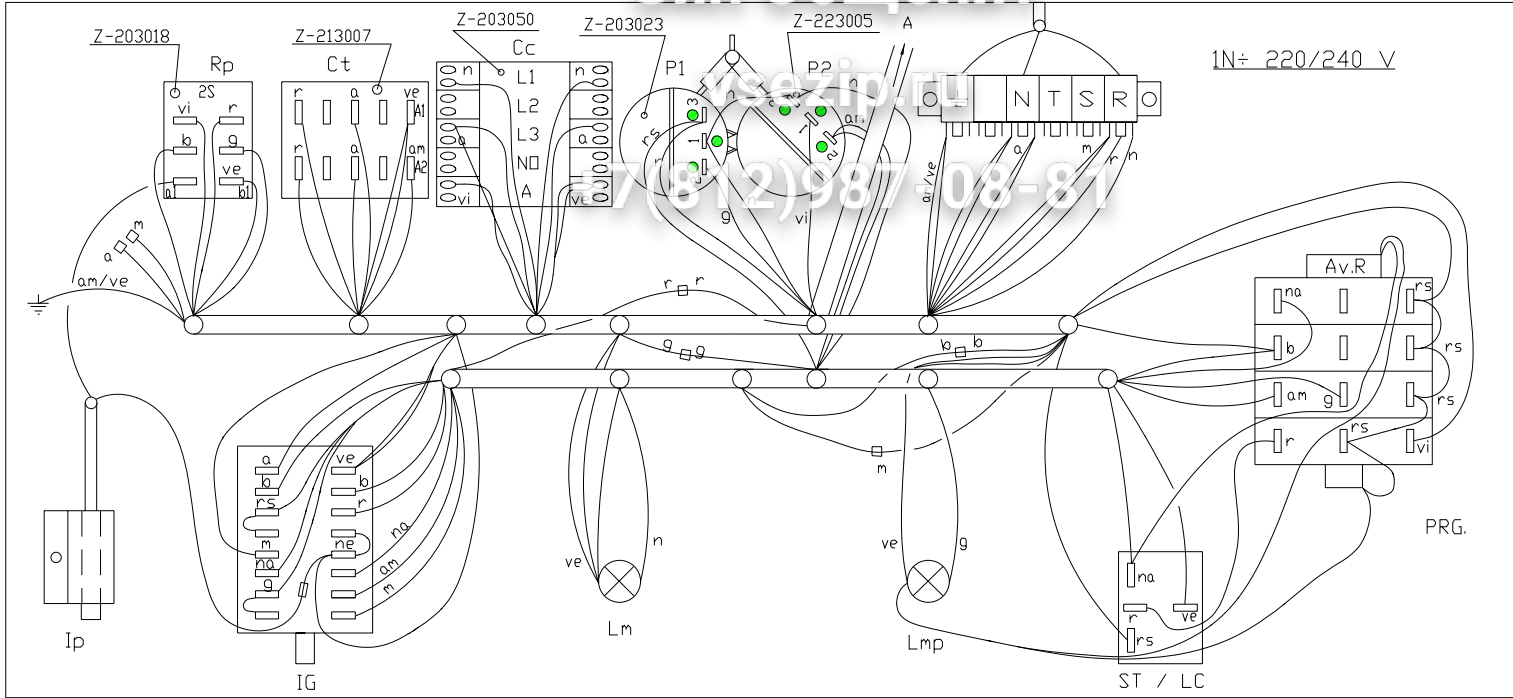
# Зип Общежит

usezip.ru  
+7(812)987-08-81

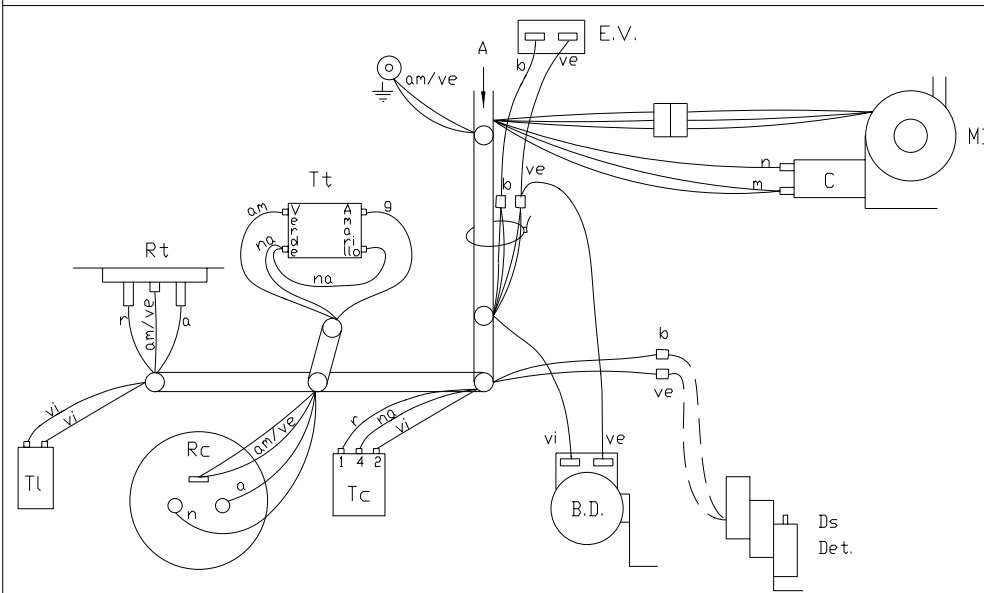
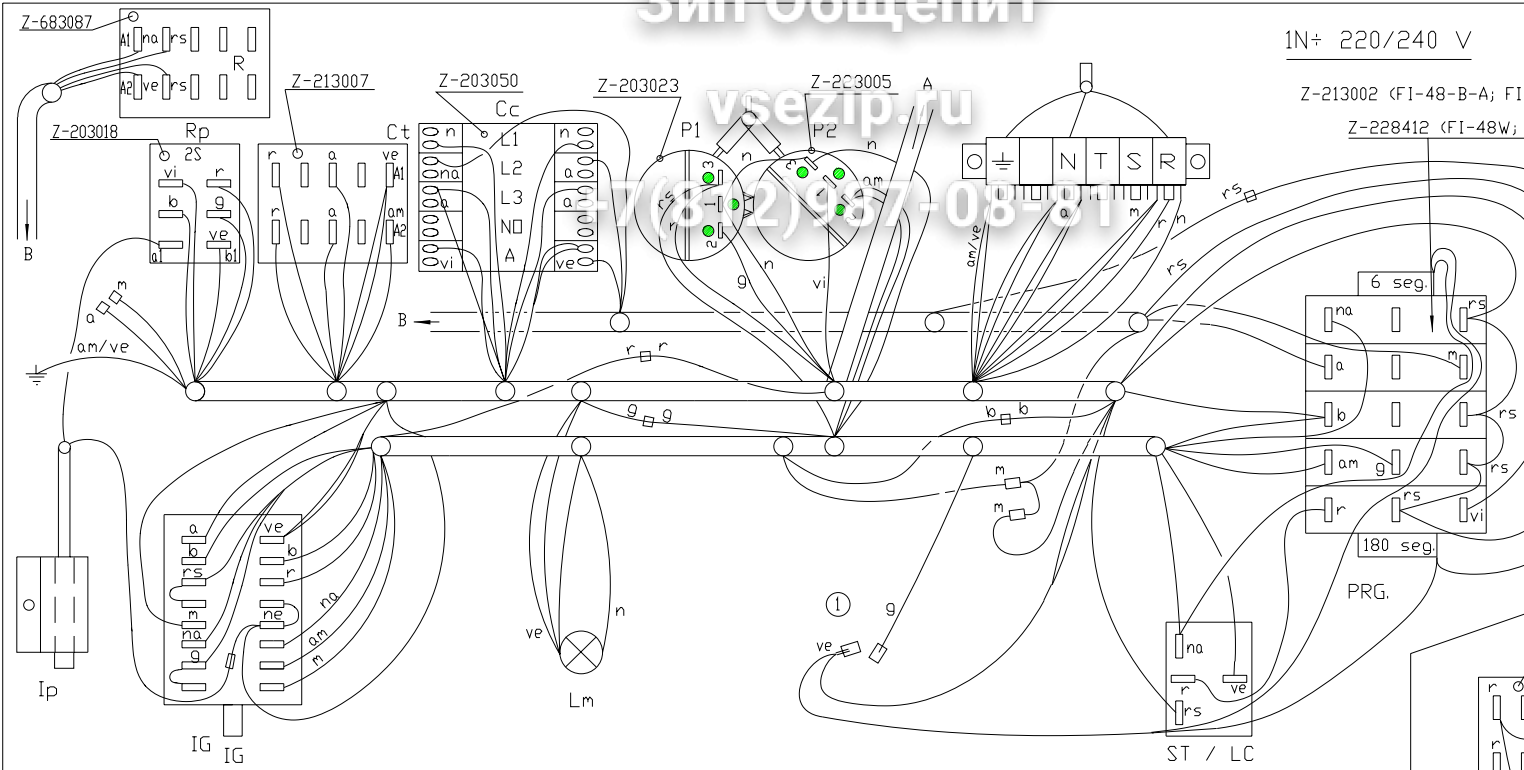


|  |              |   |
|--|--------------|---|
| Esquema de montaje FI-48                                   |              |   |
| Nº   | Pieza        | Material  |
| Nº   | Modificacion | Propuesta de  |
| Firma  |              | Fecha   |
| Santi Caro   |              | 05-07-00  |
| Dibujado   |              | FAGOR  |
| Proyectado   |              |   |
| Comprobado   |              |   |
| Escala   |              | Fagor Industrial, Koop.EI   |
| LAVAVAJILLAS   |              |   |
| Plano hau ez daiteke erabil ez berritza gure boimentz gabe |              |   |





|  |              |                           |          |
|--|--------------|---------------------------|----------|
| Esquema de montaje FI-48b                                  |              |                           |          |
| N°   | Pieza        | Cant.                     | Material |
| N°   | Modificacion | Propuesta de              |          |
|  |              |                           |          |
|  |              |                           |          |
| Dibujado   |              | Firma                     | Fecha    |
| Proyectado   |              | Santi Caro                | 07-07-00 |
| Comprobado   |              | FAGOR                     |          |
| Escala   |              | Fagor Industrial.Koop.Elk |          |
| LAVAVAJILLAS   |              |                           |          |
| Plano hau ez daiteke erabil ez berrizta gure baimeniz gabe |              |                           |          |



|    |                                     |              |
|----|-------------------------------------|--------------|
|    | Esquema de montaje FI-48W, MF-48    |              |
|    | Esquema de montaje FI-48B SHARPLINE |              |
|    | Esquema de montaje FI-48-B-A        |              |
| Nº | Pieza                               | Material     |
| Nº | Modificacion                        | Propuesta de |
| ①  | Eliminar piloto verde LMP.          | J.M.P.       |
|    |                                     |              |
|    |                                     |              |

|   |            |          |  |
|---|------------|----------|--|
|   | Firma      | Fecha    | <br>Fagor Industrial, Koop. |
| Dibujado  | Santi Caro | 07-07-00 |  |
| Proyectado  |            |          |  |
| Comprobado  |            |          |  |
| Escala  |            |          |  |
| LAVAVAJILLAS  |            |          |  |
| Plano hau ez daiteke erabil ez berritza gure baimenitz gabe |            |          |  |

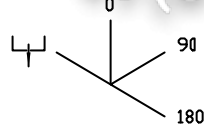
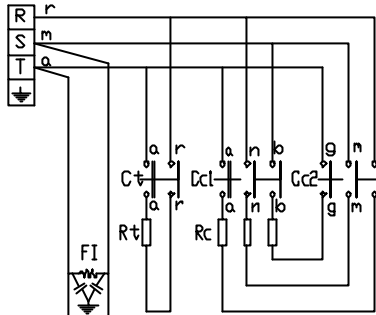
# Зип Общепит

MF-64 ; FI-64 W ; FI-64-B-A

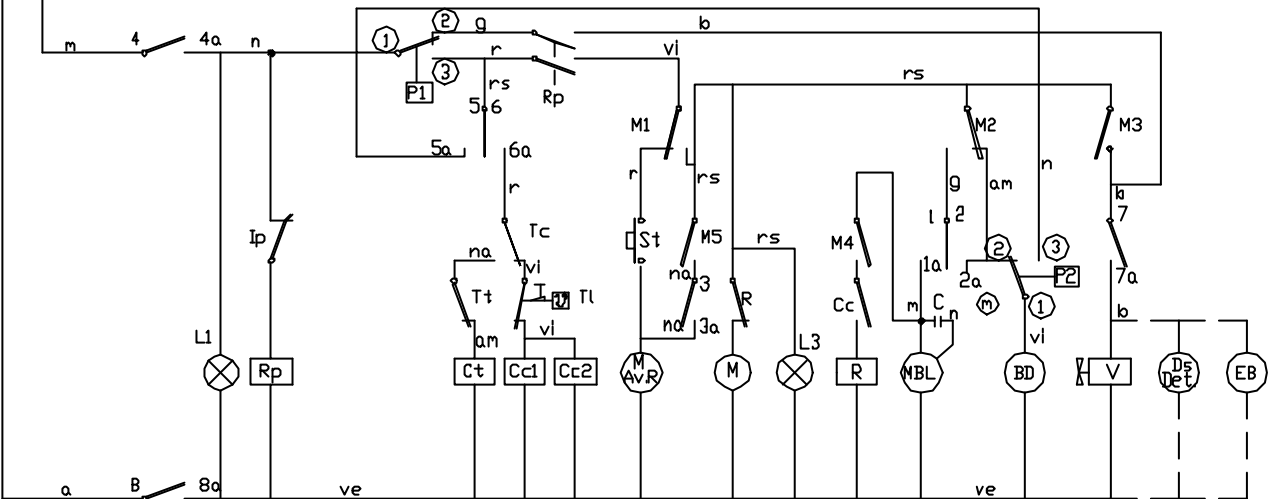
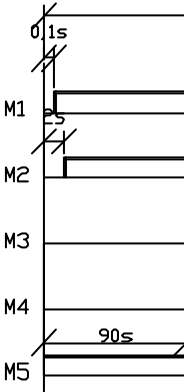
vsezip.ru

+7(812)987-09-81

208-220-240 V. 3Ph



|     | 1<br>1a | 2<br>2a | 3<br>3a | 4<br>4a | 5<br>5a | 6<br>6a | 7<br>7a | 8<br>8a |
|-----|---------|---------|---------|---------|---------|---------|---------|---------|
| 1   |         | X       |         | X       | X       |         |         | X       |
| 0   |         |         |         |         |         |         |         |         |
| 90  | X       |         | X       | X       |         | X       | X       | X       |
| 180 | X       |         |         | X       |         | X       | X       | X       |



Colours c  
r = red-r  
m = brown  
g = grey-  
n = black  
a = blue-  
b = white  
vi = violet  
am = yellow  
na = orange  
rs = rose  
ve = green  
am/ve = yellow/green

Ig = General switch

L1 = On lamp

Ip = Door micro

Rp = Door relay

P1 = Pressure switch

Tc = Drum thermostat

Tt = Tank thermostat

Tl = Drum limiter thermostat

Cc1,Cc2 = Drum contactor

Ct = Tank contactor

L2 = Machine ready light

Rc = Drum heating element

St = Start button

FI = Interferences filter

BD = Drain pump

Interrupteur general

Tâmin de marche

Micro de porte

Relais de porte

Presostat

Thermostat du surchauffeur

Thermostat de cuve

Thermostat limitateur du surchauffeur

Contacteur du surchauffeur

Contacteur de cuve

Tâmin de machine preparée

Resistance du surchauffeur

Bouton de marche

Filtre d'interferences

Pompe de vidange

Interruptor General

Lampara de marcha

Micro de puerta

Relá puerta

Presostato

Termostato calderin

Termostato tanque

Termostato limitador de calderin

Contactar calderin

Contactar tanque

Lampara Máquina preparada

Resistencia calderin

Pulsador de marcha

Filtro de interferencias

Bomba de Desagüe

Rt = Tank heating element

MAvR = Motor programmer rapid advance

M = Motor programmer

M1 = Micro programmer on

M2 = Micro programmer wash

M3 = Micro programmer rinse

M4 = Micro programmer Termo-Stop

M5 = Micro programmer 90' advance

L3 = Cycle light

MBL = Motor pump wash

C = Motor pump condenser

V = Filling and rinsing valve

Ds Det = Detergent dispenser (Optional)

P2 = Safety pressure switch

EB = Electric pressure pump (Optional)

Resistance de cuve

Moteur du programm. d' avancement rapide

Moteur du programmeur

Micro du programm. de marche

Micro du programm. de lavage

Micro du programm. de rincage

Micro du programador Termo-Stop

Micro programador Avance 90'

Tâmin de cycle

Notopompe de lavage

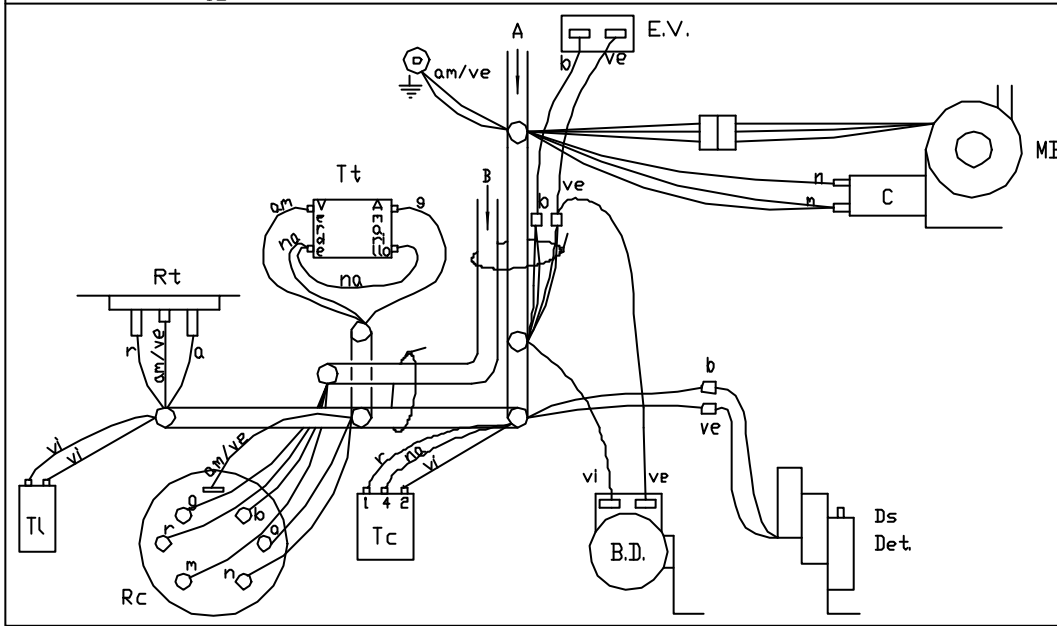
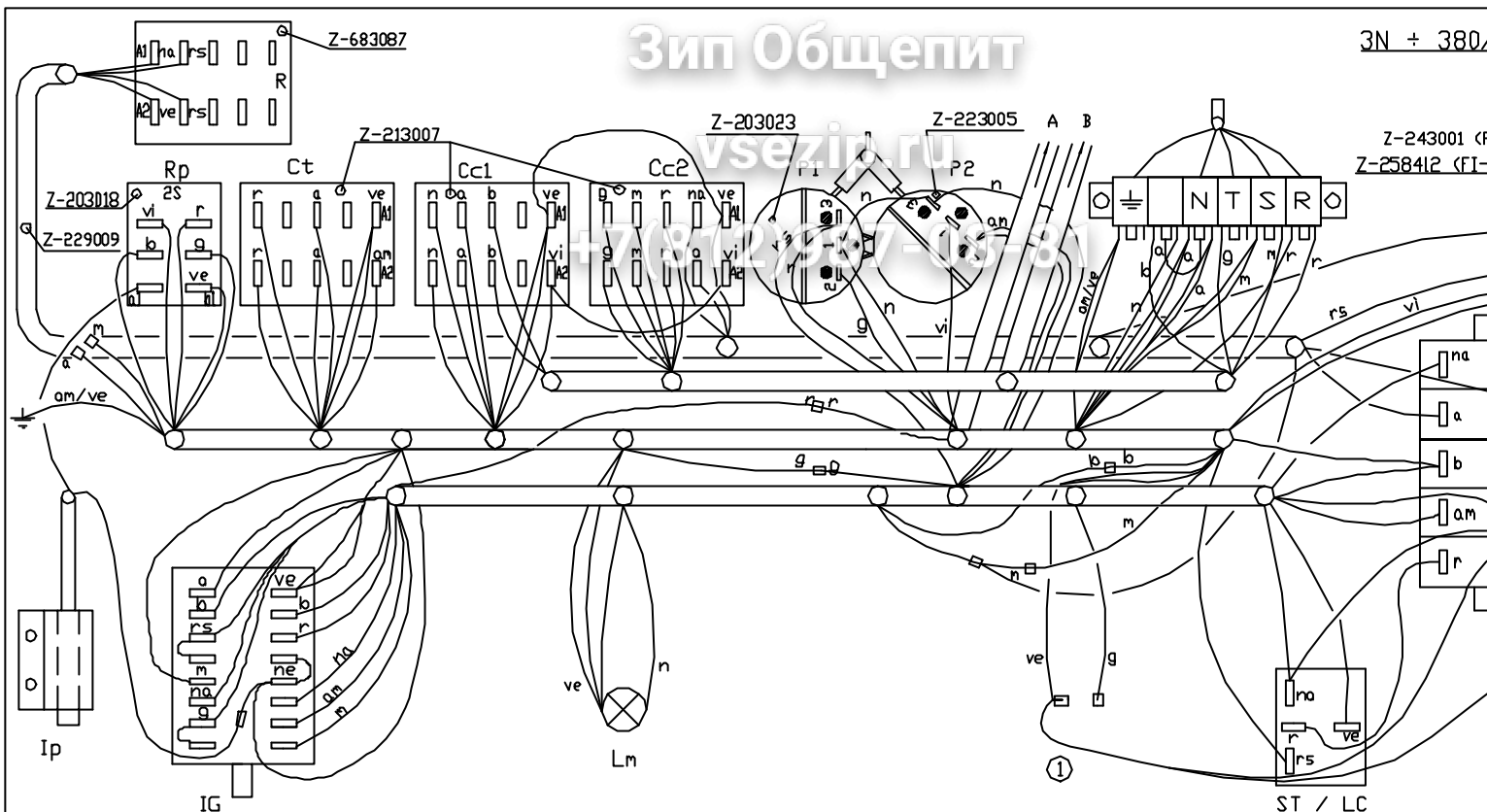
Condensateur de la notopompe

Valve de remplissage et de vidange

Dispenseur de detergent (Option)

Presostat de sécurité

Electropompe de pression (Option)



|  |  |            |         |
|--|--|------------|---------|
| Esquema montaje FI-64 W; NF-64; FI-64-B-A          |  |            |         |
| Nº   | Pieza  |            |         |
| Nº   | Modificación                                   |            |         |
| ①  | Intrad. Versión FI-64-B-A; eliminar piloto Lmp |            |         |
|  |  |            |         |
| Dibujado   |  | Firma      | Fecha   |
| Proyectado   |  | S. N.      | 24-3-00 |
| Comprado   |  | Fagar Inet |         |
| Escala   |  |            |         |
| LAVAVAJU   |  |            |         |
| Plano hau ez daterke erabili ez berritze gure bati |  |            |         |