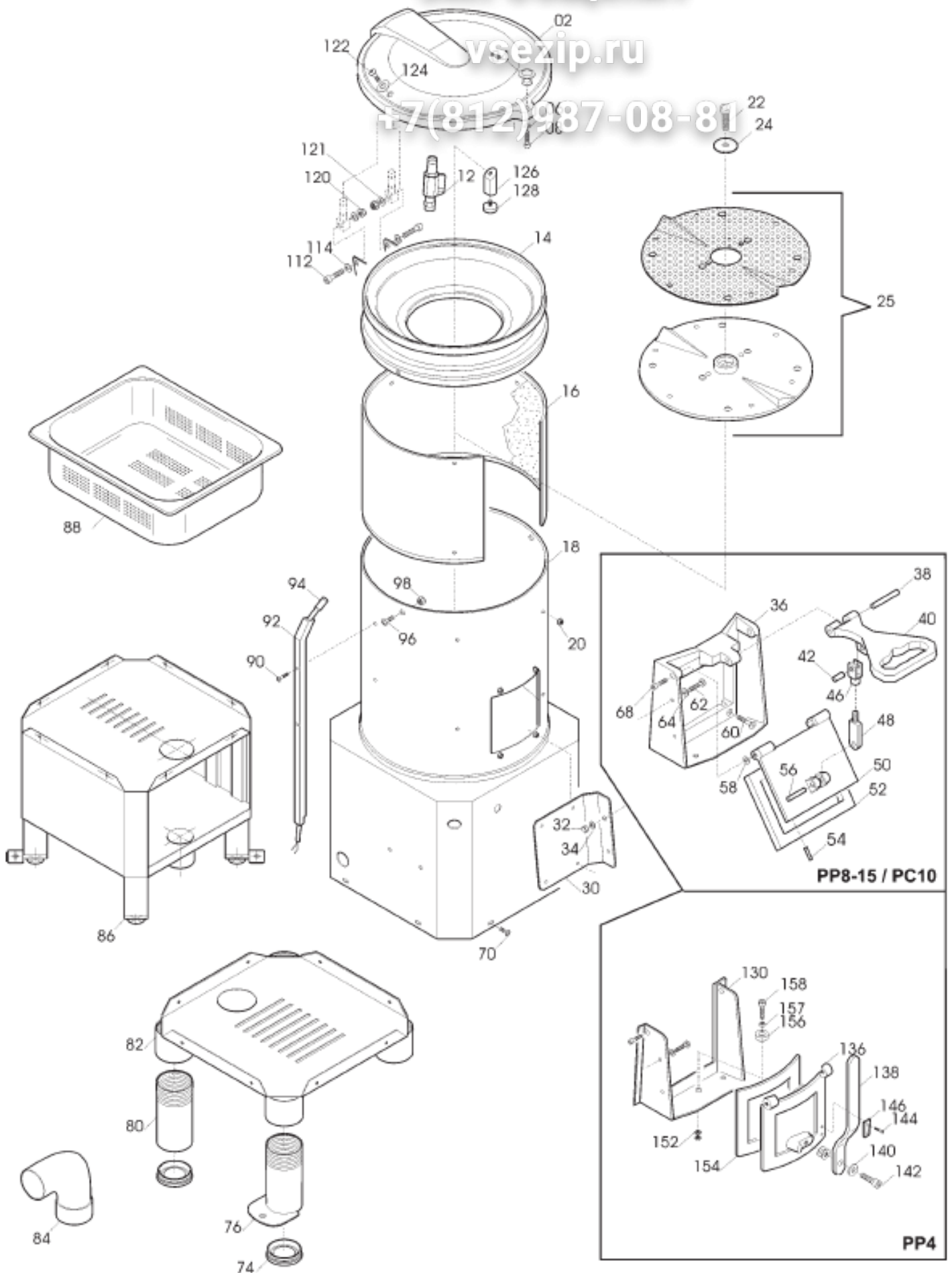


Зип Общепит

vsezip.ru

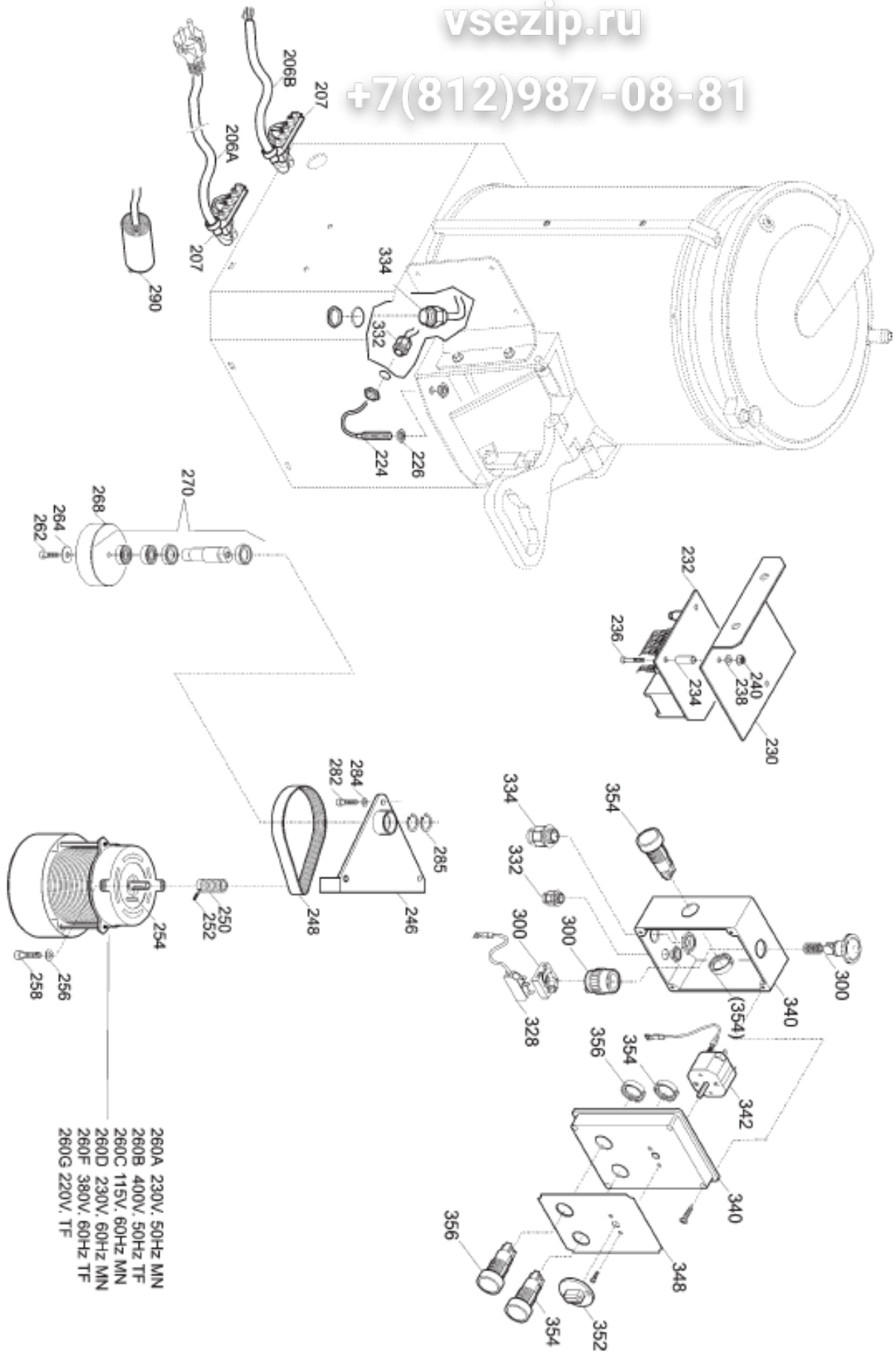
+7(812)987-08-81



Зип Общепит

vsezip.ru

+7(812)987-08-81



| PP 8 EXPO CE TAV. 1/2 |                                     |            |
|-----------------------|-------------------------------------|------------|
| Ref.                  | Produktname                         | Artikel-Nr |
| 2                     | DECKEL FUER KARTOFFELSCHALMASCH.    | RG04002    |
| 4                     | KNOB FOR COVER_ POTATO PEELER PP EX | RG04004    |
| 8                     | FIXING SCREW FOR KNOB_P.PEELER EXPO | RG04008    |
| 12                    | FAUCET FOR POTATO PEELER EXPO       | RG04012    |
| 14                    | RING - COVER POTATO PEELER PP8      | RG08014    |
| 16                    | SIDE ABRASIVE PP 8 EXPO             | RG08016    |
| 18                    | CARCASSA ACCIAIO INOX PLP EX 8      | RG08018    |
| 20                    | NUT FOR POTATO PEELER EXPO          | RG04020    |
| 22                    | FIXING SCREW FOR PP EXPO            | RG04022    |
| 24                    | WASHER FOR PP EXPO                  | RG04024    |
| 25                    | PEELING DISC FOR PP 4/8 EXPO        | RG04025    |
| 30                    | CONTROLS SUPPORT _ PP EXPO          | RG04030    |
| 32                    | DADO PLP EX                         | RG04032    |
| 34                    | RONDELLA PLP EX                     | RG04034    |
| 36                    | OUTLET _ PP 8 EXPO                  | RG08036    |
| 38                    | HANDLE SHAFT _ PP 8-15 EXPO         | RG08038    |
| 40                    | LEVER _ PP 8-15 EXPO                | RG08040    |
| 42                    | SHAFT _ PP EXPO                     | RG08042    |
| 46                    | U PLATE FOR PP EXPO                 | RG08046    |
| 48                    | FLAT PLATE _ PP EXPO                | RG08048    |
| 50                    | DOOR _ PP 8-15 EXPO                 | RG08050    |
| 52                    | DOOR GASKET _ PP 8 EXPO             | RG08052    |
| 54                    | MAGNETIC SENSOR _ PP 8-15 EXPO      | RG08054    |
| 56                    | SHAFT FOR PP EXPO                   | RG08056    |
| 58                    | WASHER                              | RG04058    |
| 60                    | SCREW                               | RG08060    |
| 62                    | SCREW                               | RG04062    |
| 64                    | WASHER                              | RG04064    |
| 68                    | SCREW                               | RG08068    |
| 70                    | SCREW                               | RG04070    |
| 74                    | FOOT BASE - PP4/PP8                 | RG04074    |
| 76                    | PIEDINI CON ALETTA PLP EX 4/8       | RG04076    |
| 80                    | PIEDINI PLP EX 4/8                  | RG04080    |
| 82                    | FONDO PLP EX 4/8                    | RG04082    |
| 84                    | DRAIN PIPE FOR POTATO PEELER EXPO   | RG04084    |
| 90                    | SCREW                               | RG04090    |
| 92                    | FASCIA LATERALE PLP EX 8            | RG08092    |
| 94                    | MICROSWITCH FOR PP EXPO             | RG04094    |
| 96                    | SCREW                               | RG04096    |
| 98                    | NUT                                 | RG04098    |
| 112                   | FIXING SCREW FOR COVER_P.PEELER EXP | RG04112    |
| 114                   | FIX.WASHER FOR COVER_P.PEELER EXPO  | RG04114    |
| 120                   | FIXING NUT FOR HINGE_P.PEELER EXPO  | RG04120    |
| 122                   | FIXING SCREW FOR MAGNET_P.PEELER EX | RG04122    |
| 124                   | FIX.WASHER FOR MAGNET_P.PEELER EXPO | RG04124    |

|                       |                                     |            |  |
|-----------------------|-------------------------------------|------------|--|
| 126                   | MAGNET-HOLDER FOR POTATO PEELER EX  | RG04126    |  |
| 128                   | MAGNETE X BOCCA ATHOS               | IV5823050  |  |
| Зип Общепит           |                                     |            |  |
| PP 8 EXPO CE TAV. 2/2 |                                     |            |  |
| Ref.                  | Produktname                         | Artikel-Nr |  |
| 206A                  | 1-PH POWER CORD FOR P.PEELER EXPO   | RG04206A   |  |
| 206B                  | CAVO ALIMENTAZIONE TF PLP EX        | RG04206B   |  |
| 207                   | MORSETTIERA CORTA PLP EX            | RG04207    |  |
| 224                   | MAGNETIC MICROSWITCH PPEXPO         | RG04224    |  |
| 226                   | NUT FOR MICROSWITCH                 | RG04226    |  |
| 230                   | SUPPORTO SCHEDA COMANDO PLP EX      | RG04230    |  |
| 232                   | CIRCUIT BOARD 220/50 _ PP4-8-15 EXP | RG04232    |  |
| 234                   | SPACER PP 4-8-15 EXPO               | RG04234    |  |
| 236                   | FIXING SCREW PP 4-8-15 EXPO         | RG04236    |  |
| 238                   | RONDELLA PLP EX                     | RG04238    |  |
| 240                   | DADO PLP EX                         | RG04240    |  |
| 246                   | MOTOR SUPPORT FOR PP 8 EXPO         | RG08246    |  |
| 248                   | RIEMEN FUER KARTOFFELSCHALER        | RG08248    |  |
| 250                   | PULLEY_SMALL PP 8 EXPO              | RG08250    |  |
| 252                   | PULLEY INSERT PP 8 EXPO             | RG08252    |  |
| 254                   | MOTOR INSERT PP 8 EXPO              | RG08254    |  |
| 256                   | WASHER FOR PP 4-8 EXPO              | RG04256    |  |
| 258                   | SCREW FOR PP 4-8 EXPO               | RG04258    |  |
| 260C                  | MOTORE MN 115V/60 HZ PLP EX 8       | RG08260C   |  |
| 260A                  | MOTOR 230/50/1 FOR PP 8 EXPO        | RG08260A   |  |
| 260D                  | MOTOR 230/60/1 FOR PP8              | RG08260D   |  |
| 260G                  | MOTORE TF 220 PLP EX 8              | RG08260G   |  |
| 260F                  | MOTORE TF 380V/60 HZ PLP EX 8       | RG08260F   |  |
| 260B                  | MOTOR 400V/50 HZ FOR PP 8 EXPO      | RG08260B   |  |
| 262                   | SCREW FOR PP 8 EXPO                 | RG08262    |  |
| 264                   | WASHER FOR PP 8 EXPO                | RG08264    |  |
| 268                   | PULLEY FOR PP 8 EXPO                | RG08268    |  |
| 270                   | MITNEHMER SCHLEIFSCHIEBE PP8-15EX   | RG08270    |  |
| 282                   | VITE PLP EX 8                       | RG08282    |  |
| 284                   | RONDELLA PLP EX 8                   | RG08284    |  |
| 285                   | INNEURING FUER AUFSCH.              | 19330301   |  |
| 290                   | KONDENSATOR PP8-15EXPO              | RG08290    |  |
| 300                   | EMERGENCY BUTTON FOR POTATO PEELER  | RG04300    |  |
| 328                   | EMERGENCY BUTTON CONTACT P/PEELER   | RG04328    |  |
| 332                   | STRAIN RELIEF FOR POTATO PEELER     | RG04332    |  |
| 334                   | STRAIN RELIEF FOR POTATO PEELER     | RG04334    |  |
| 340                   | PCB BOX FOR POTATO PEELER           | RG04340    |  |
| 342                   | TIMER+KNOB FOR PP EXPO              | RG04342    |  |
| 348                   | BUTTON TIMER FOR POTATO PEELER      | RG04348    |  |
| 352                   | TIMERGRIFF PP EXPO                  | RG04352    |  |
| 354                   | ROT KNOBF PP EXPO                   | RG04354    |  |
| 356                   | GRUN KNOB PP EXPO                   | RG04356    |  |
|                       |                                     |            |  |