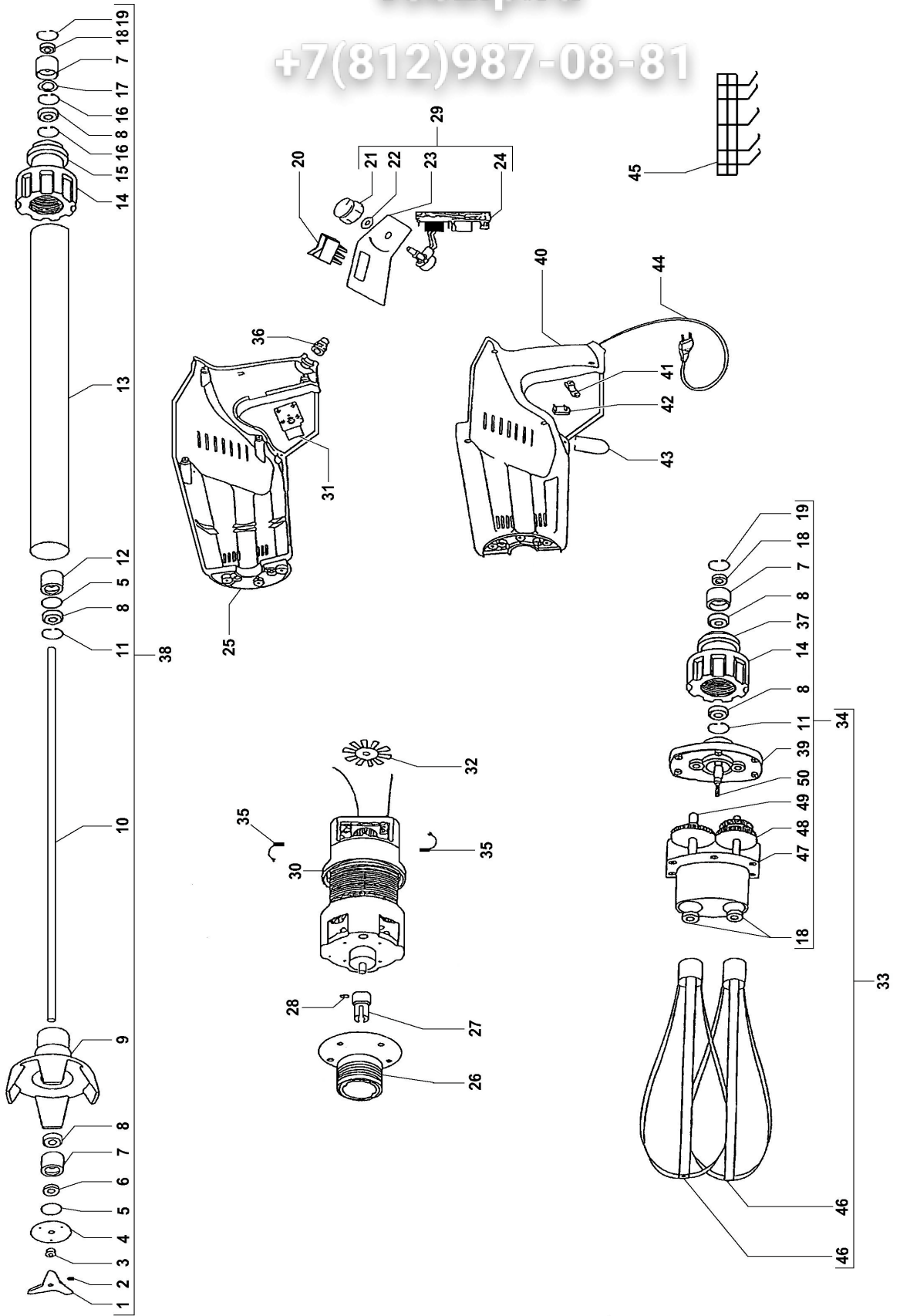


Mescolatore-frusta mod.FM3
Mixer & whisk mod.FM3



MESCOLATORE FRUSTA MOD.FM3 MIXER & WHISK MOD.FM3

| Rif No | Codice Code | Caratteristiche Characteristics | Descrizione Description |
|--------|-------------|---------------------------------|------------------------------------|
| 1 | SL0744 | | Coltello Cutter |
| 2 | SL0769 | M5x6 A2 | Grano Grub screw |
| 3 | SL0772 | V-8-S | V-ring V-ring |
| 4 | SL0777 | | Disco Disk |
| 5 | SL0773 | OR 128 | O-ring O-ring |
| 6 | SL1454 | 8x18x6 | Paraolio Oil seal |
| 7 | SL0740 | | Boccola Bush |
| 8 | SL0271 | 608H ZZ inox | Cuscinetto Bearing |
| 9 | SL0775 | | Campana Bell |
| 10 | SL0776 | ø8 L=400 | Albero Shaft |
| 10 | SL0976 | ø8 L=300 | Albero Shaft |
| 10 | SL0977 | ø8 L=350 | Albero Shaft |
| 10 | SL0978 | ø8 L=500 | Albero Shaft |
| 10 | SL0979 | ø8 L=600 | Albero Shaft |
| 11 | SL0749 | ø22 | Seeger Seeger |
| 12 | SL0879 | | Boccola Bush |
| 13 | SL0747 | ø40x2 L=400 | Tubo Tube |
| 13 | SL0972 | ø40x2 L=300 | Tubo Tube |
| 13 | SL0973 | ø40x2 L=350 | Tubo Tube |
| 13 | SL0974 | ø40x2 L=500 | Tubo Tube |
| 13 | SL0975 | ø40x2 L=600 | Tubo Tube |
| 14 | SL0742 | | Ghiera Locking ring |
| 15 | SL0741 | | Supporto Support |
| 16 | SL0898 | ø8 | Seeger Seeger |
| 17 | SL0748 | ø22 | Anello Ring |
| 18 | SL0746 | 8x18x5 | Paraolio Oil seal |
| 19 | SL0750 | ø25 | Seeger Seeger |
| 20 | SL0758 | | Interruttore Switch |
| 21 | SL1458 | | Pomello Knob |
| 22 | SL1457 | | Dado Nut |
| 23 | SL0760 | | Piastra Plate |
| 24 | SL0756 | 230V/1Ph/50-60Hz | Scheda elettronica Electronic card |
| 25 | SL0730 | Blue-right | Copertura Covering |
| 26 | SL0732 | | Flangia Flange |
| 27 | SL1496 | | Giunto Joint |
| 28 | SL0129 | M5x10 A2 | Grano Grub screw |
| 29 | SA3600 | Assembly | Comandi Controls |
| 30 | SL0755 | 230V/1Ph/50-60Hz | Motore Motor |
| 31 | SL0757 | | Interruttore Switch |
| 32 | SL2818 | | Ventola Fan |
| 33 | FRUSTAFM3 | Assembly | Frusta Whisk |
| 34 | SA9500 | Assembly | Riduttore Gear box |
| 35 | SL2815 | | Spazzola Brush |
| 36 | SL0762 | | Pressacavo Cable clamp |
| 37 | SL0734 | | Supporto Support |
| 38 | MESCFM340 | L=400 (Assembly) | Mescolatore Mixer |
| 38 | MESCFM330 | L=300 (Assembly) | Mescolatore Mixer |
| 38 | MESCFM335 | L=350 (Assembly) | Mescolatore Mixer |
| 38 | MESCFM350 | L=500 (Assembly) | Mescolatore Mixer |
| 38 | MESCFM360 | L=600 (Assembly) | Mescolatore Mixer |
| 39 | SL0774 | | Coperchio Cover |
| 40 | SL0731 | Blue-left | Copertura Covering |
| 41 | SL0745 | Blue | Piastra Plate |
| 42 | SL0840 | Blue | Piastra Plate |
| 43 | SL0770 | | Gancio Claw |
| 44 | SL0761 | 1Ph+N | Cavo elettrico Electric cable |
| 45 | SL0771 | | Portautensili Accessory stand |
| 46 | SL0743 | | Frusta Whisk |
| 47 | SL0733 | | Scatola Box |
| 48 | SA8900 | | Ingranaggio Gear |
| 49 | SA8800 | | Ingranaggio Gear |
| 50 | SL0739 | | Ingranaggio Gear |

(*): fuori produzione / out of production